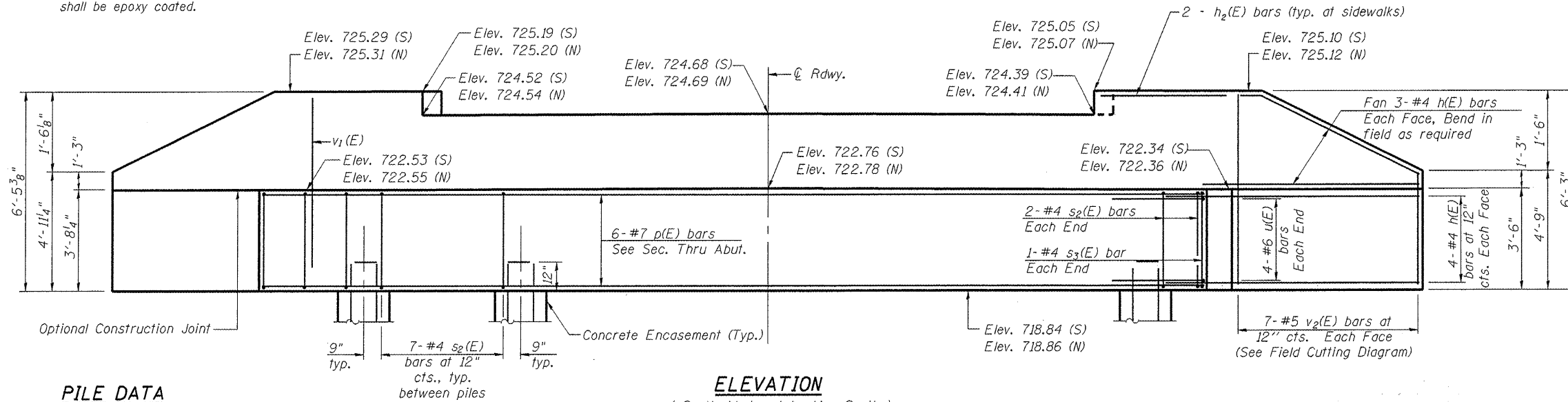


Note: Reinforcement bars designated (E) shall be epoxy coated.

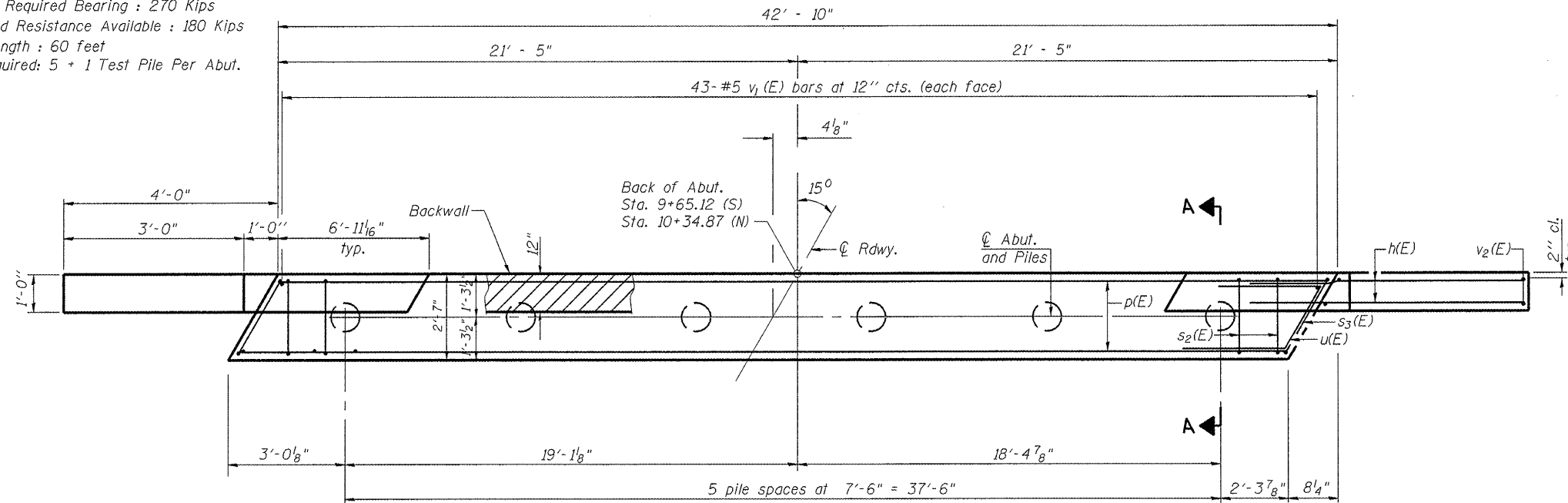


PILE DATA

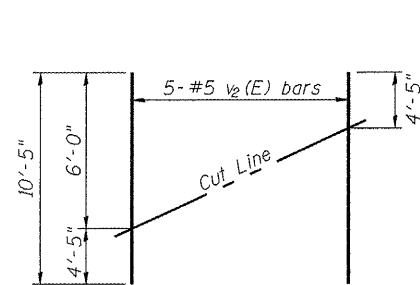
Pile Type and Size : 14 in. dia. x 0.25 in. walls
 Nominal Required Bearing : 270 Kips
 Factored Resistance Available : 180 Kips
 Est. Length : 60 feet
 No. Required: 5 + 1 Test Pile Per Abut.

ELEVATION

(South Abutment Looking South)
 (North Abutment Looking North)

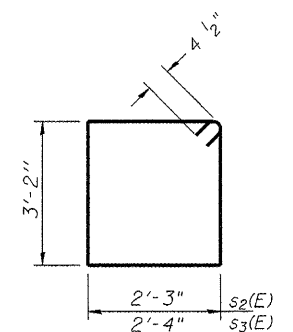


PLAN

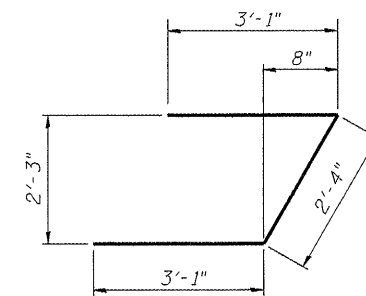


FIELD CUTTING DIAGRAM

Order v2(E) full length. Cut as shown and use remainder of bars in opposite face.



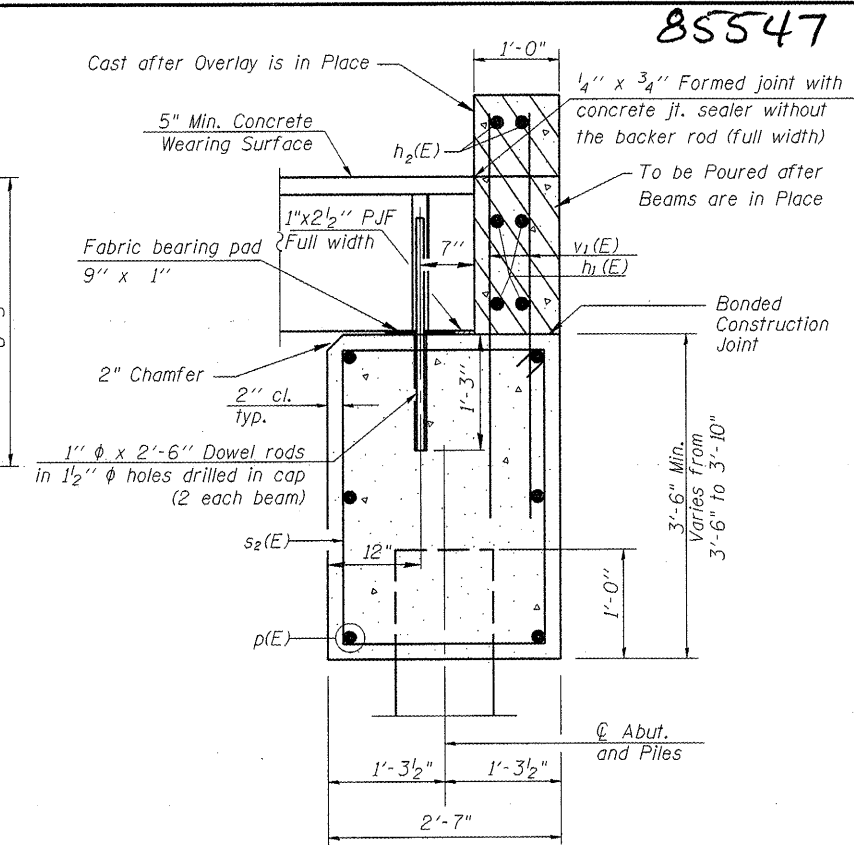
BARS s2(E) & s3(E)



BAR u(E)

MINIMUM BAR LAP

- #4 bar = 2'-1"
- #5 bar = 2'-7"
- #6 bar = 3'-1"
- #7 bar = 4'-2"



SECTION A-A THRU ABUTMENT

Notes:

After beams have been erected, holes shall be drilled into substructure and anchor dowels placed. Dowel holes shall be filled with non-shrink grout to top of beam and allowed to cure min. 24 hrs. prior to grouting the shear keys. The cost of furnishing and installing dowels is included in precast deck beams.

All horizontal dimensions are at right angles to beam ends. Hatched area to be poured after beams are in place. See sheet S6 of 14 for bearing pad details.

The backwall and the portion of the wingwalls above the bonded construction joint shall be cast against the in-place beam.

BILL OF MATERIAL - 2 ABUT.

Bar	No.	Size	Length	Shape
h(E)	56	#4	6'-0"	—
h1(E)	16	#4	22'-3"	—
h2(E)	8	#4	6'-8"	—
p(E)	24	#7	23'-4"	—
s2(E)	78	#4	11'-7"	□
s3(E)	4	#4	11'-9"	□
u(E)	16	#6	8'-6"	—
v1(E)	172	#5	5'-3"	—
v2(E)	20	#5	10'-5"	—
Test Pile Metal Shell	Each			2
Furnishing Metal Shell	Foot			600
Piles, 14" x 0.250"	Foot			600
Driving Piles	Foot			600
Concrete Encasement	Cu. Yd.			3.9
Concrete Structures	Cu. Yd.			40.3
Reinforcement Bars, Epoxy Coated	Pound			3,641
Structure Excavation	Cu. Yd.			184

For details of piles and concrete encasement, see sheet S9 of 14.

**ABUTMENTS
 STRUCTURE NO. 101-6421**

McClure
 Engineering Associates, Inc.
 7282 Argus Drive Rockford, Illinois 61107-5837
 (815) 398-2332 FAX (815) 398-2496
 Design Firm License: Illinois 184-000816
 Copyright 2012 By McClure Engineering Associates, Inc.

SHEET NO. S7	F.A. RTE.	SECTION	COUNTY	TOTAL SHEETS	SHEET NO.
	-	08-00069-00-BR	WINNEBAGO	21	13
14 SHEETS	CONTRACT NO. 85547				
FED. ROAD DIST. NO. - ILLINOIS FED. AID PROJECT					