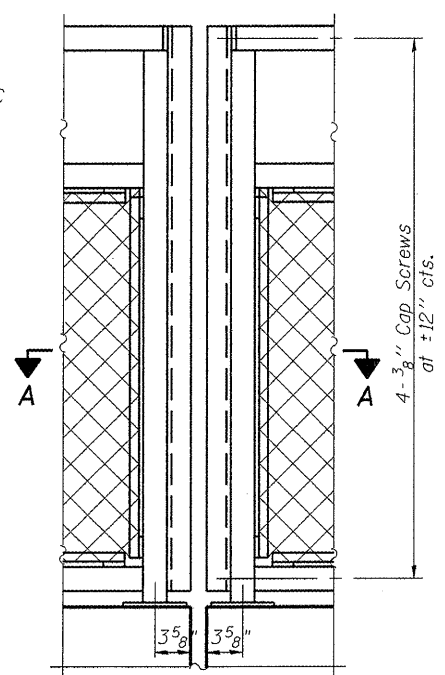
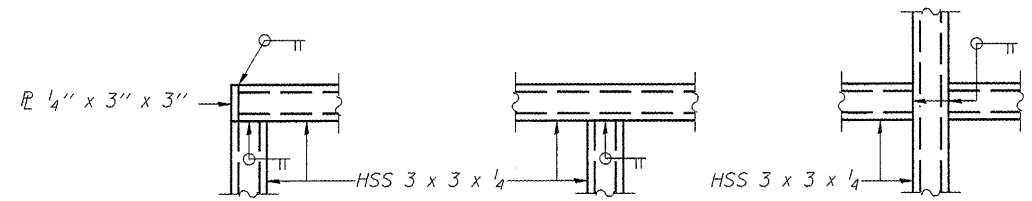


RAILING ELEVATION

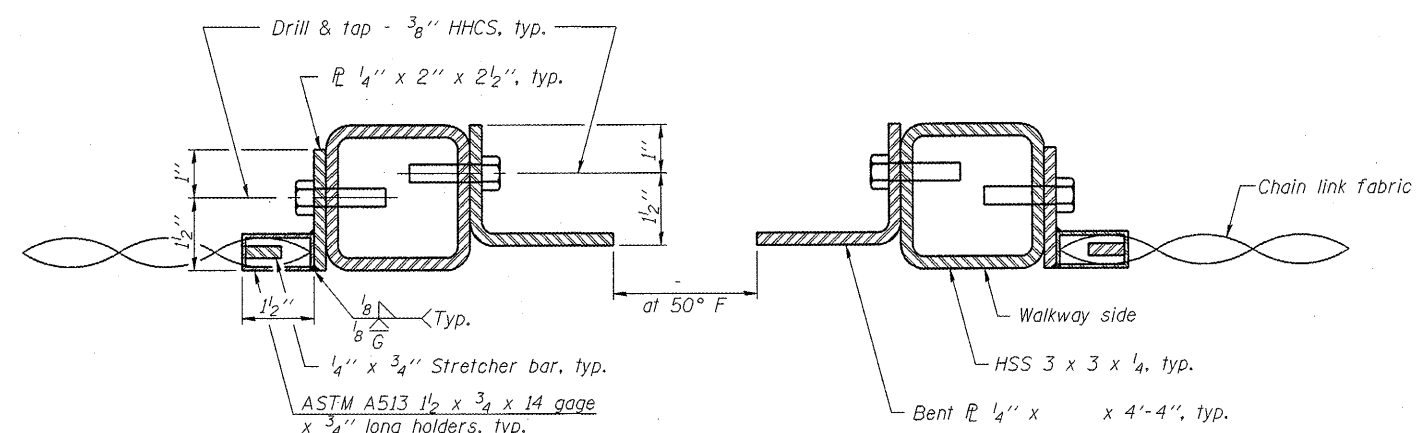


PEDESTRIAN RAILING

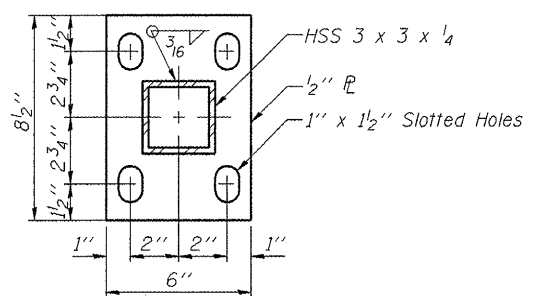


DETAIL A DETAIL B DETAIL C

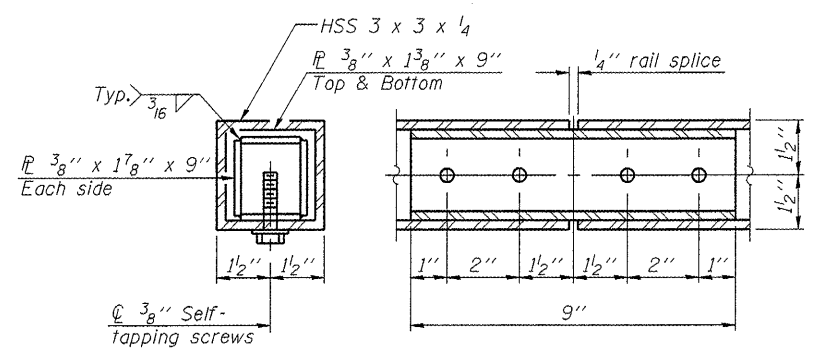
All steel rail elements shall be galvanized according to Article 509.05 of the Standard Specifications.



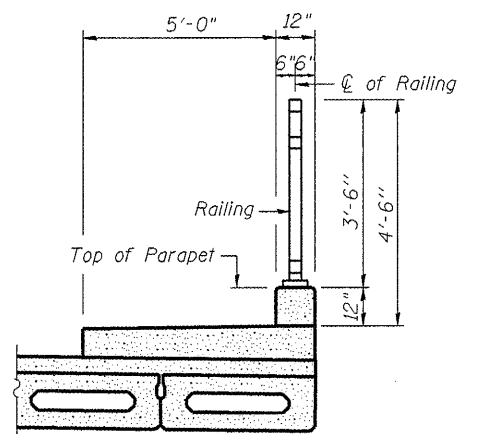
SECTION A-A



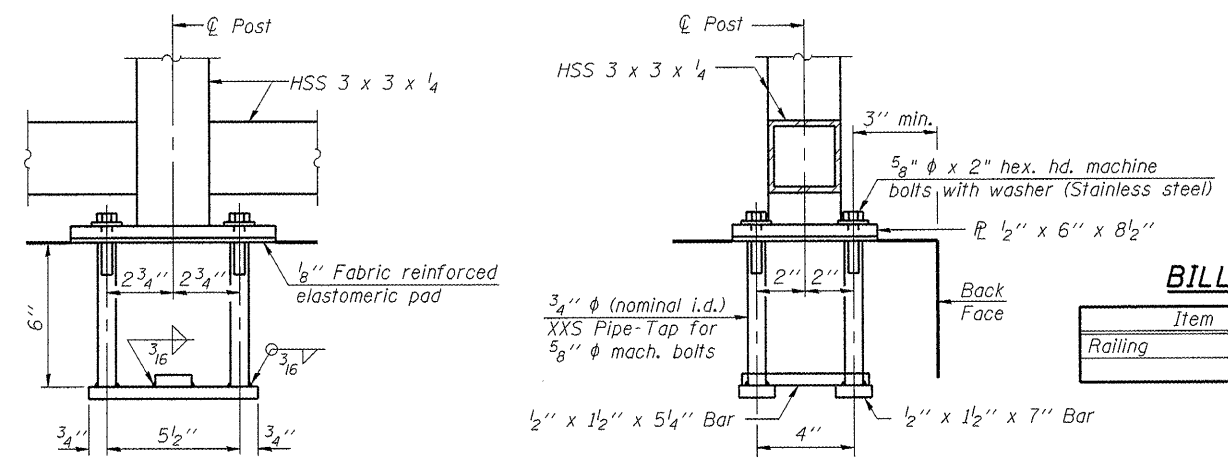
BASE PL



RAIL SPLICE



SECTION THRU SIDEWALK



ANCHOR BOLT DETAILS

In lieu of the cast-in-place anchor device shown, the Contractor has the option of drilling and setting 5/8" φ anchor rods according to Article 509.06 of the Standard Specifications. Embedment shall be according to the manufacturer's specifications.

BILL OF MATERIAL

Item	Unit	Quantity
Railing	Foot	136

**PEDESTRIAN RAILING DETAILS
STRUCTURE NO. 101-6421**

SHEET NO.	F.A. RTE.	SECTION	COUNTY	TOTAL SHEETS	SHEET NO.
S10	-	08-00069-00-BR	WINNEBAGO	21	16
14 SHEETS			CONTRACT NO. 85547		
FED. ROAD DIST. NO.		ILLINOIS FED. AID PROJECT			