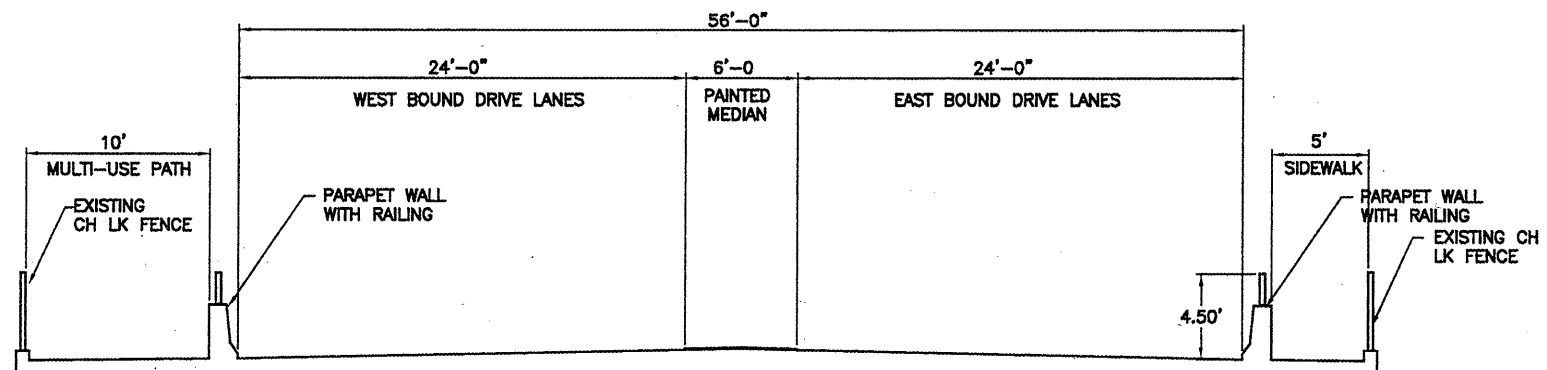


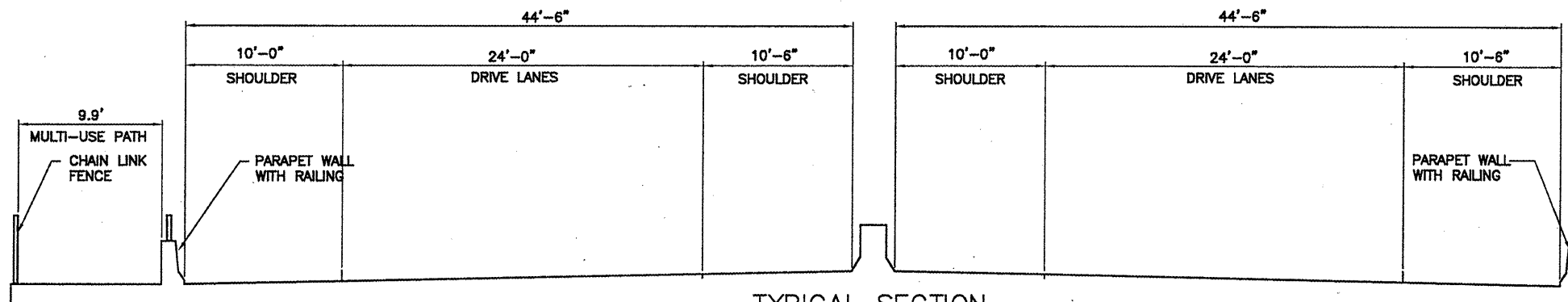
DATE	
BY	
DESIGNED	
DRAWN	
CHECKED	
DATE	
NO.	

DATE	
BY	
DESIGNED	
DRAWN	
CHECKED	
DATE	
NO.	

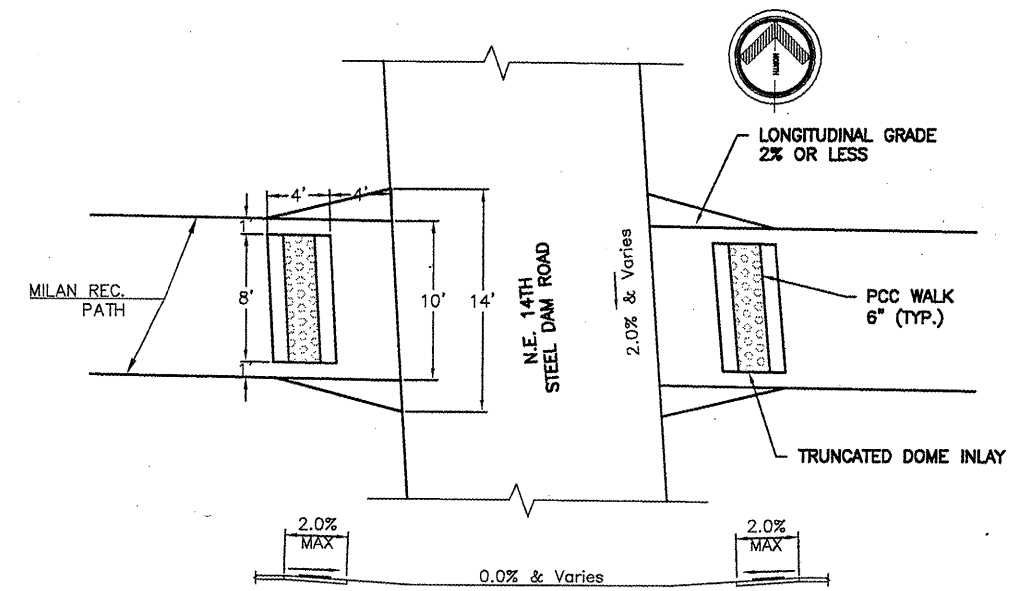


EXISTING TYPICAL SECTION—STA 0+00 TO 1+04.28

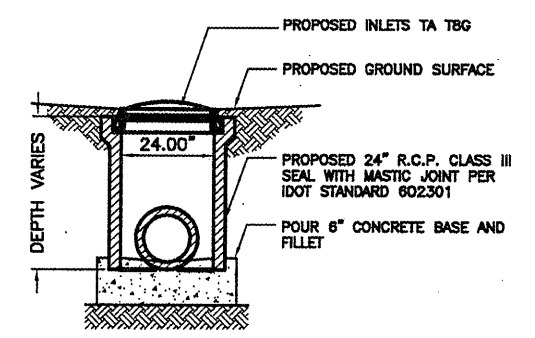
EAST 1ST AVE. (AIRPORT ROAD BRIDGE)
 (FOR INFORMATION ONLY)
 BUILT 2003
 FA ROUTE 10
 SEC-33N-BR5
 STRUCTURE NO. 081-0148
 POSTED SPEED LIMIT 45 MPH



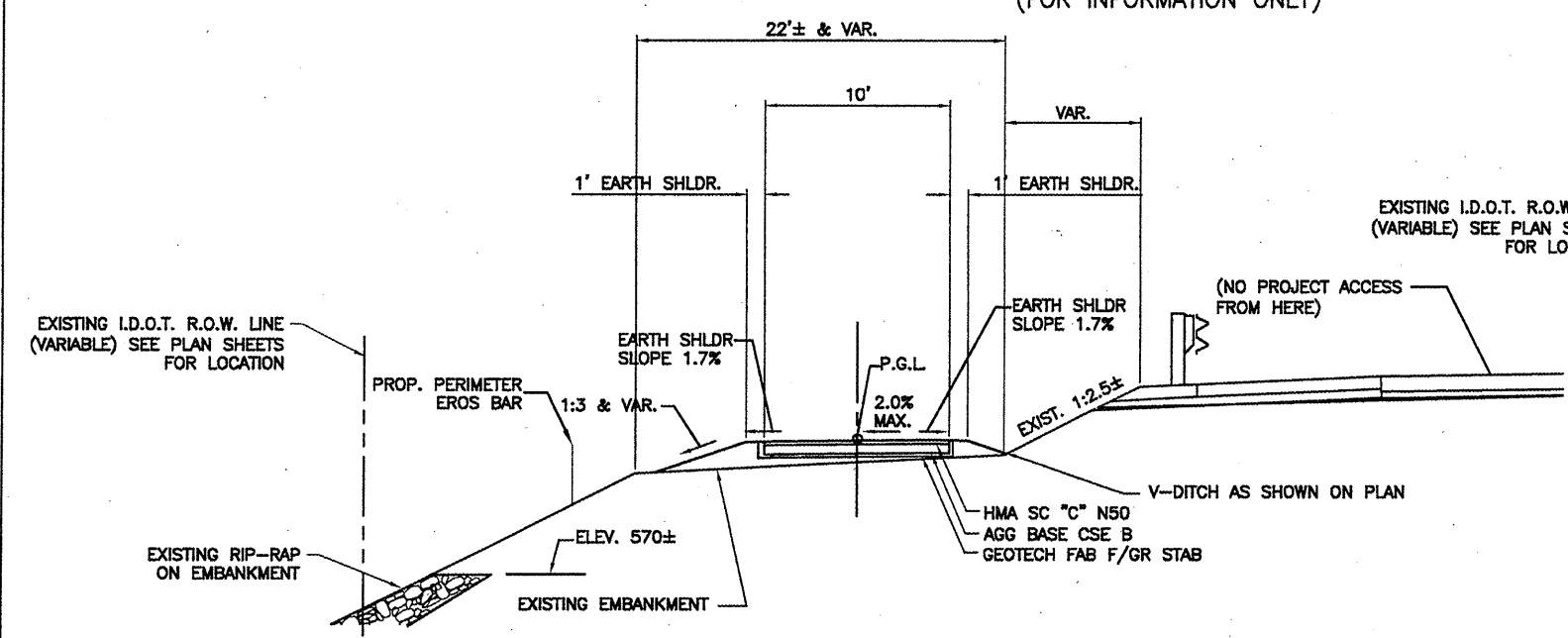
TYPICAL SECTION
 MILAN BELTWAY—BEGIN STA 608+44.18
 (FOR INFORMATION ONLY)



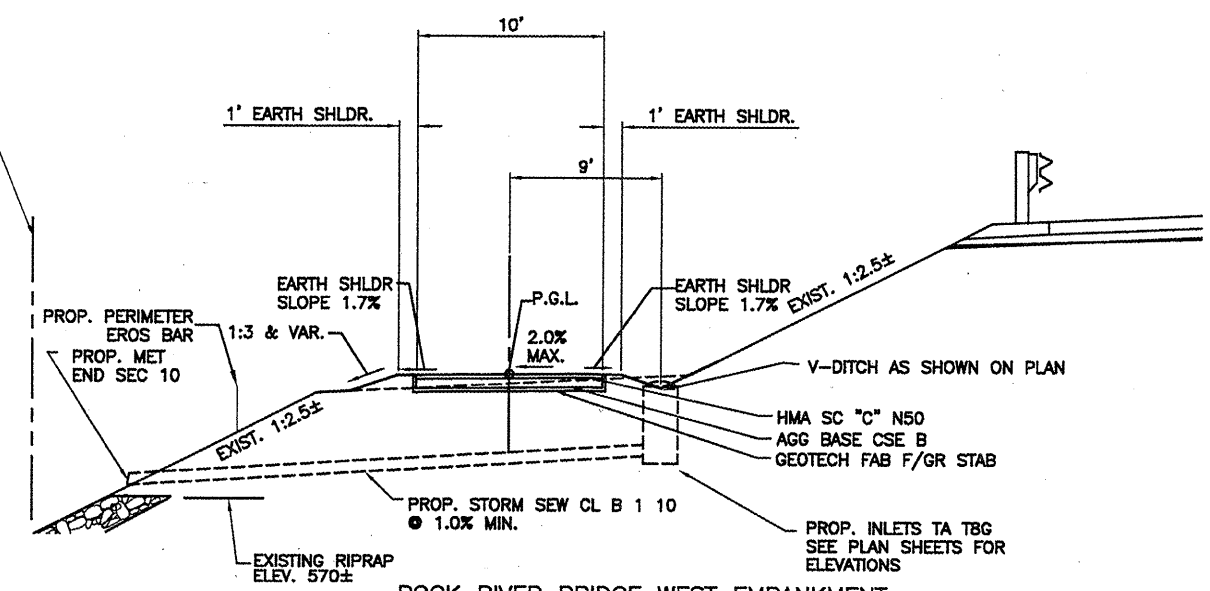
DETAIL
 STEEL DAM ROAD



INLETS, TYPE A, TYPE 8 GRATE
 (NOT TO SCALE)



ROCK RIVER BRIDGE WEST EMBANKMENT
 ALONG V-DITCH
 STA. 600+00 - 608+44.18



ROCK RIVER BRIDGE WEST EMBANKMENT
 AT INLET
 STA. 601+20, 603+50 & 605+50

FILE NAME =	USER NAME =	DESIGNED --	REVISED --	STATE OF ILLINOIS DEPARTMENT OF TRANSPORTATION	TYPICAL SECTIONS	F.A. RTE.	SECTION	COUNTY	TOTAL SHEETS	SHEET NO.	
		DRAWN -- MPK	REVISED --					10-00043-00-BT	ROCK ISLAND	31	6
		CHECKED -- MKM	REVISED --			SCALE:	SHEET NO. 2 OF 2 SHEETS	STA.	TO STA.	CONTRACT NO. B5556	
		DATE -- 2.14.12	REVISED --			ILLINOIS FED. AID PROJECT					