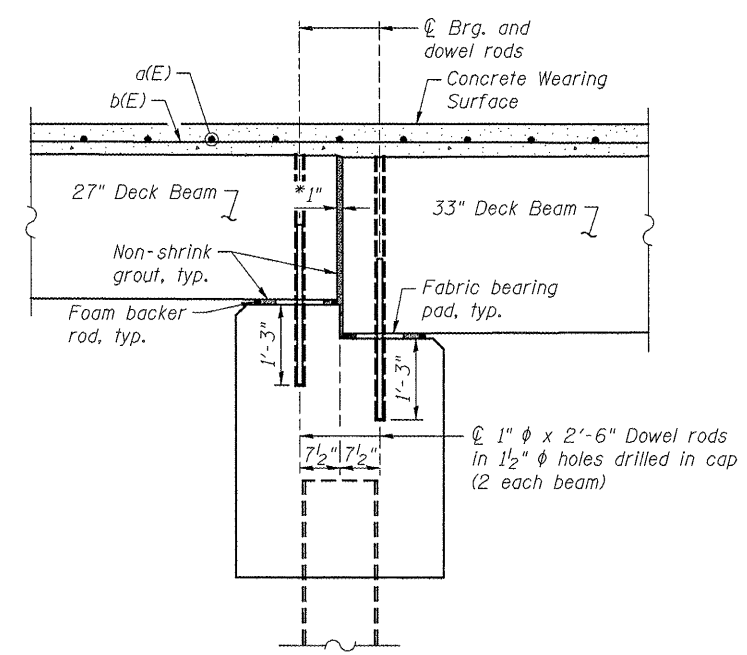


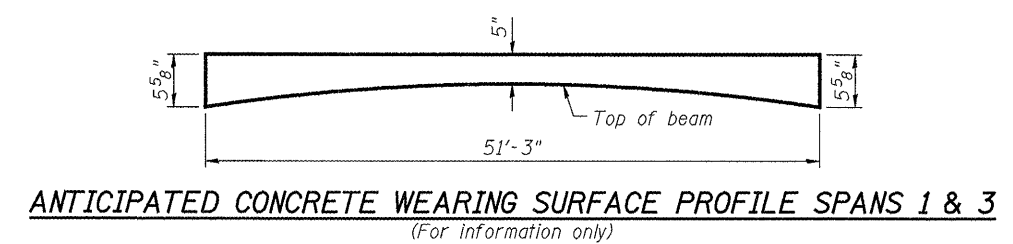
SECTION A-A
(Dimensions are at Rt. L's)

NOTES:
See Structural Sheet 10 of 18 for fabric bearing pad details.

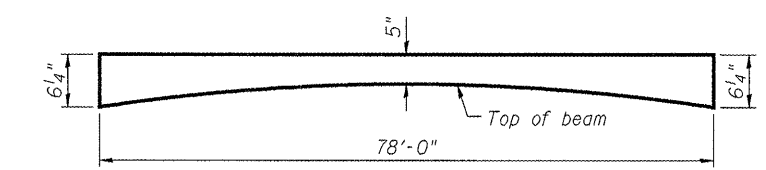


SECTION B-B
(Dimensions are at Rt. L's)

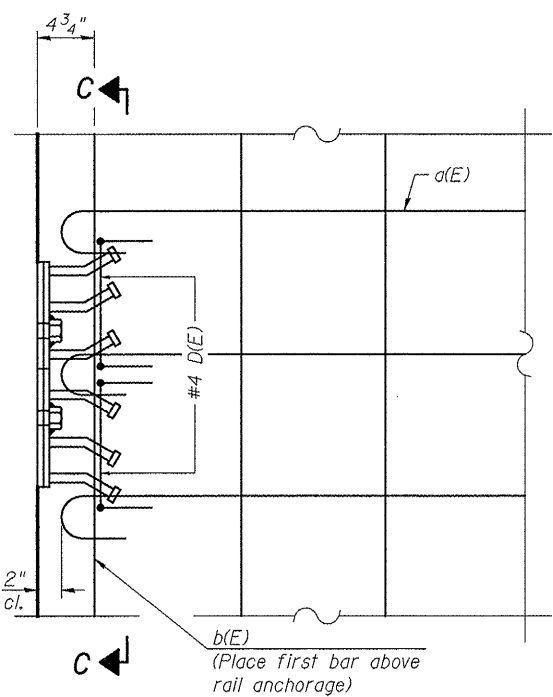
NOTES:
See Structural Sheet 10 of 18 for fabric bearing pad details.



ANTICIPATED CONCRETE WEARING SURFACE PROFILE SPANS 1 & 3
(For information only)

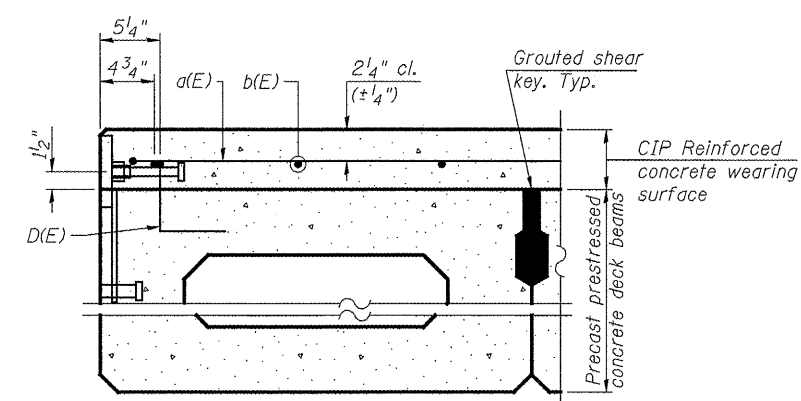


ANTICIPATED CONCRETE WEARING SURFACE PROFILE SPAN 2
(For information only)

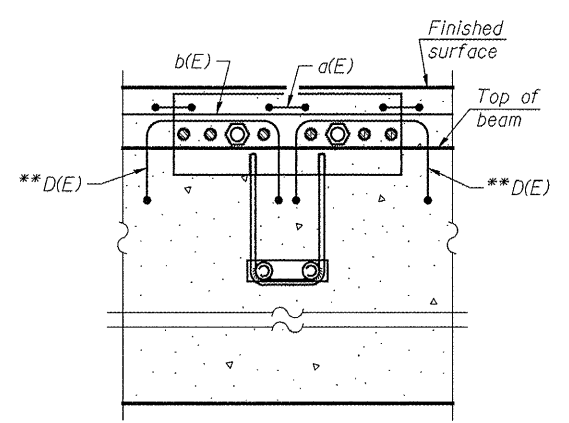


PLAN

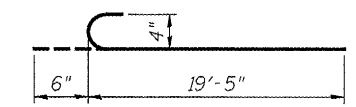
NOTE:
Formwork necessary for the wearing surface may be secured utilizing the bottom rail anchorage inserts and/or additional inserts cast into the beam.



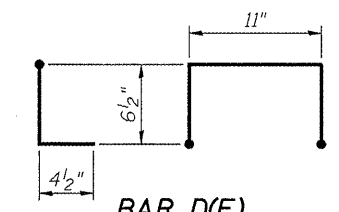
SECTION THRU FASCIA BEAM



SECTION C-C



BAR a(E)



BAR D(E)

MINIMUM BAR LAP
#4 bar = 2'-7"

SUPERSTRUCTURE BILL OF MATERIAL

Bar	No.	Size	Length	Shape
a(E)	366	#4	19'-11"	
b(E)	145	#4	38'-6"	
Bridge Deck Grooving		Sq. Yd.	527	
Protective Coat		Sq. Yd.	568	
Reinforcement Bars, Epoxy Coated		Pound	8,600	
Concrete Wearing Surface, 5"		Sq. Yd.	568	

NOTE:
* 1" Jt. shall be filled with non-shrink grout. 1" dimension may vary to accommodate tolerance in beam lengths.
** Place 2- #4 D(E) bars in beam at each post location as shown. D(E) bar included in cost of beam.

FILE: S:\PROJECTS\2011\1224011.Lee.Co\DESIGN\STRUCT\05-05-11\Superstructure\Detail.dwg