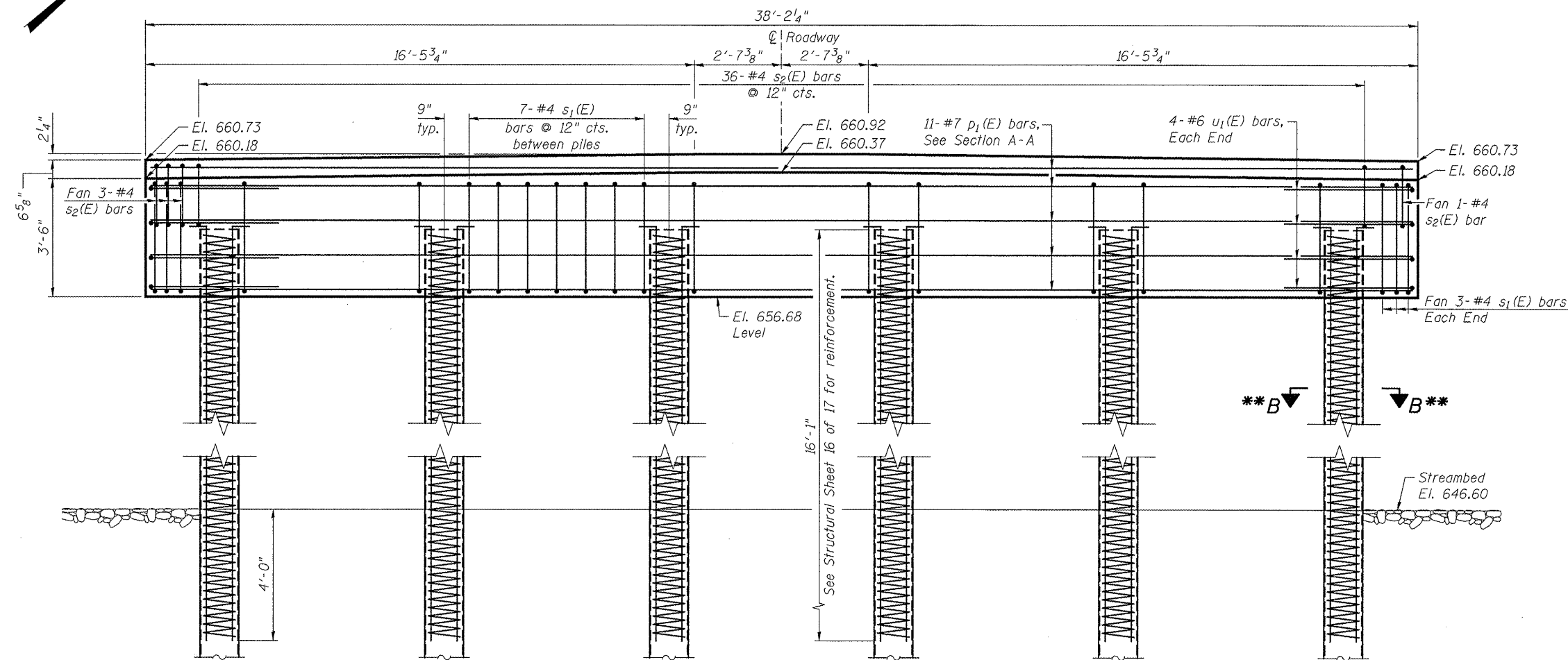
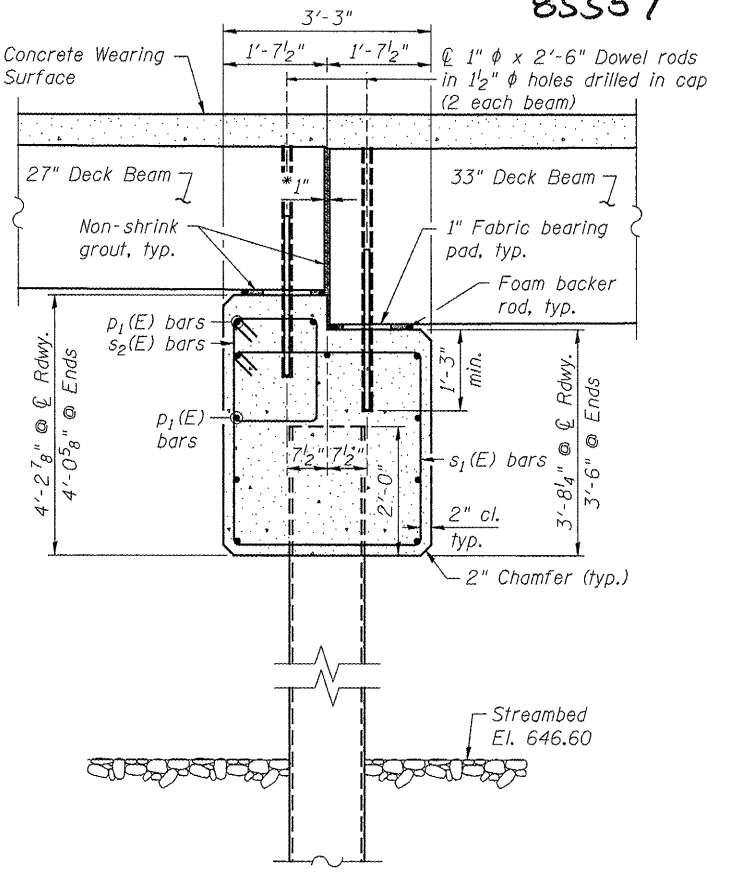


PLAN



ELEVATION (Looking West)



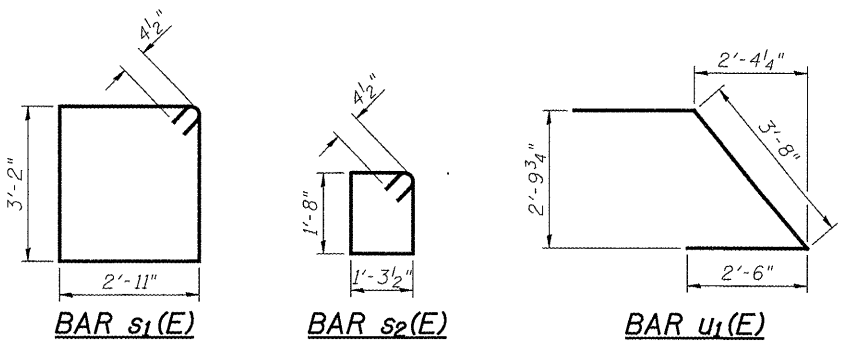
SECTION A-A (Dimensions are at Rt. L's)

BILL OF MATERIAL

Bar	No.	Size	Length	Shape
p ₁ (E)	11	#7	37'-9"	—
s ₁ (E)	41	#4	12'-11"	□
s ₂ (E)	40	#4	6'-8"	□
u ₁ (E)	8	#6	8'-8"	∟
Concrete Structures	Cu. Yd.		17.4	
Reinforcement Bars, Epoxy Coated	Pound		1,490	
Furnishing Metal Shell Piles 14" x 0.312"	Foot		230	
Driving Piles	Foot		230	
Test Pile Metal Shells	Each		1	

NOTES:

- All exposed edges shall have standard 3/4" chamfers, except as noted.
- Space reinforcement in cap to miss dowel rods.
- After beams have been erected, holes shall be drilled into substructure and anchor dowels placed. Dowel holes shall be filled with non-shrink grout to top of beam and allowed to cure a min. of 24 hours prior to grouting the shear keys.
- * May vary due to overrun of beams.
- ** For pile & pile reinforcement details, see Structural Sheet 16 of 18.



PILE DATA

Type: Metal Shell 14" φ x 0.312" Walls
 Nominal Required Bearing: 237 kips
 Factored Resistance Available: 431 kips
 Est. Length: 46'
 No. Production Piles: 5
 No. Test Piles: 1
 Drive piles to a minimum elevation of 613.00



DESIGNED - BRADLEY KLEINMAIER	REVISED -
CHECKED - BRIAN CONVERSE	REVISED -
DRAWN - RON ALLEN	REVISED -
CHECKED - MEGAN CACKLEY	REVISED -

LEE COUNTY
 C.H. 12 (KEIGWIN ROAD) OVER GREEN RIVER
 STATION 20 + 00

PIER #1 DETAILS
 STRUCTURE NO. 052-3416
 STRUCTURAL SHEET NO. 13 OF 18 SHEETS

F.A.S. RTE. 1180	SECTION 11-00318-00-BR	COUNTY LEE	TOTAL SHEETS 29	SHEET NO. 20
WHA* 1224D11			CONTRACT NO. 85557	
ILLINOIS FED. AID PROJECT BRS-1180(003)				

FILE - S:\PROJECTS\2011\1224D11\Lee Co\DESIGN\STRUCTURE\DWG\1224D11_Pier_1.dwg