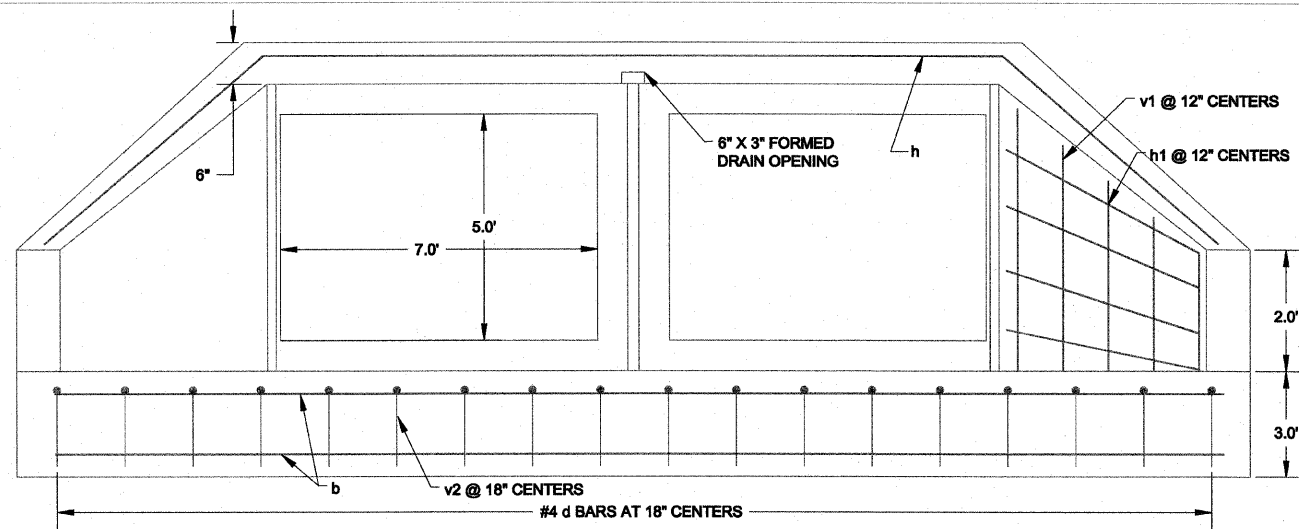
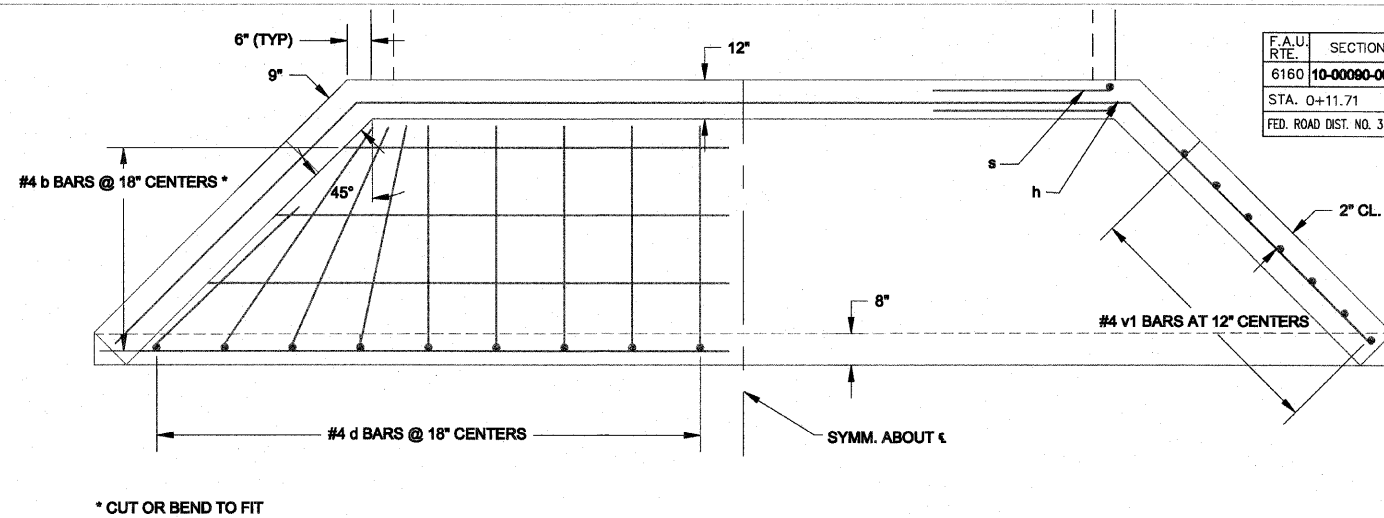


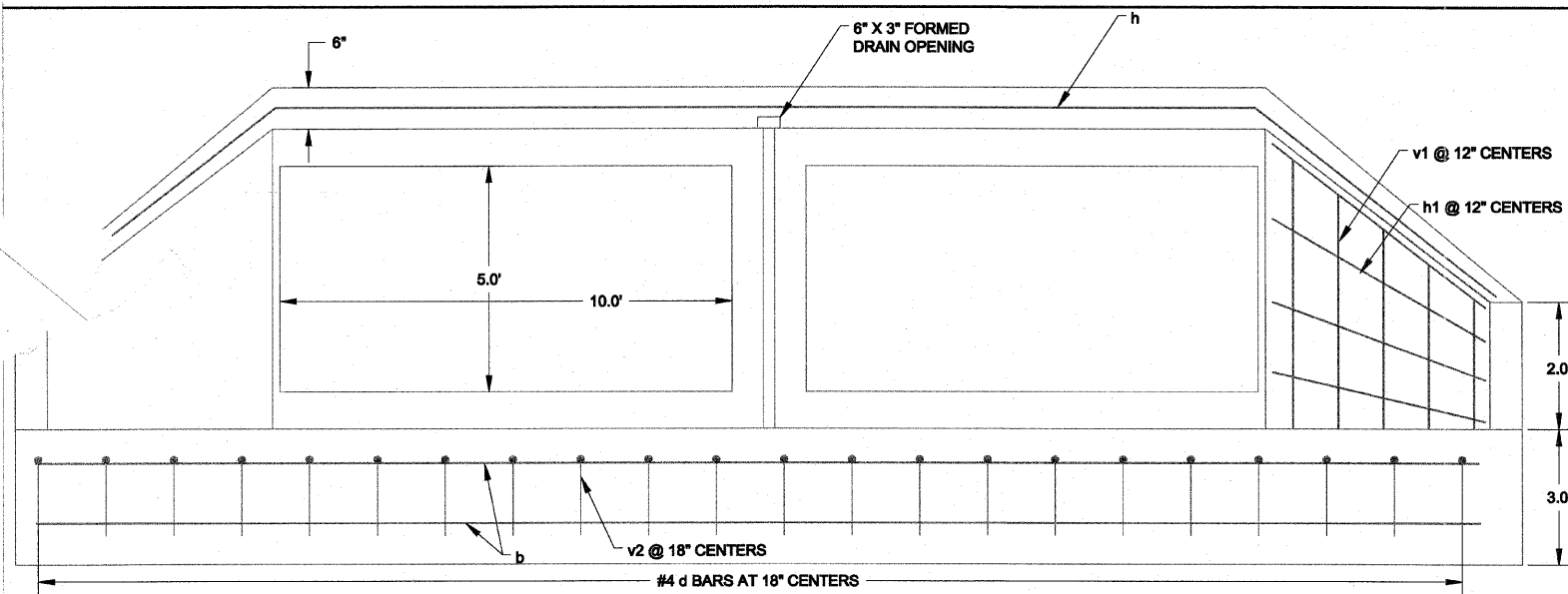
F.A.U. RTE.	SECTION	COUNTY	TOTAL SHEETS	SHEET NO.
6160	10-00090-00-WR	LASALLE	61	4
STA. 0+11.71		TO STA. 52+77.14		
FED. ROAD DIST. NO. 3		ILLINOIS FED. AID PROJECT		



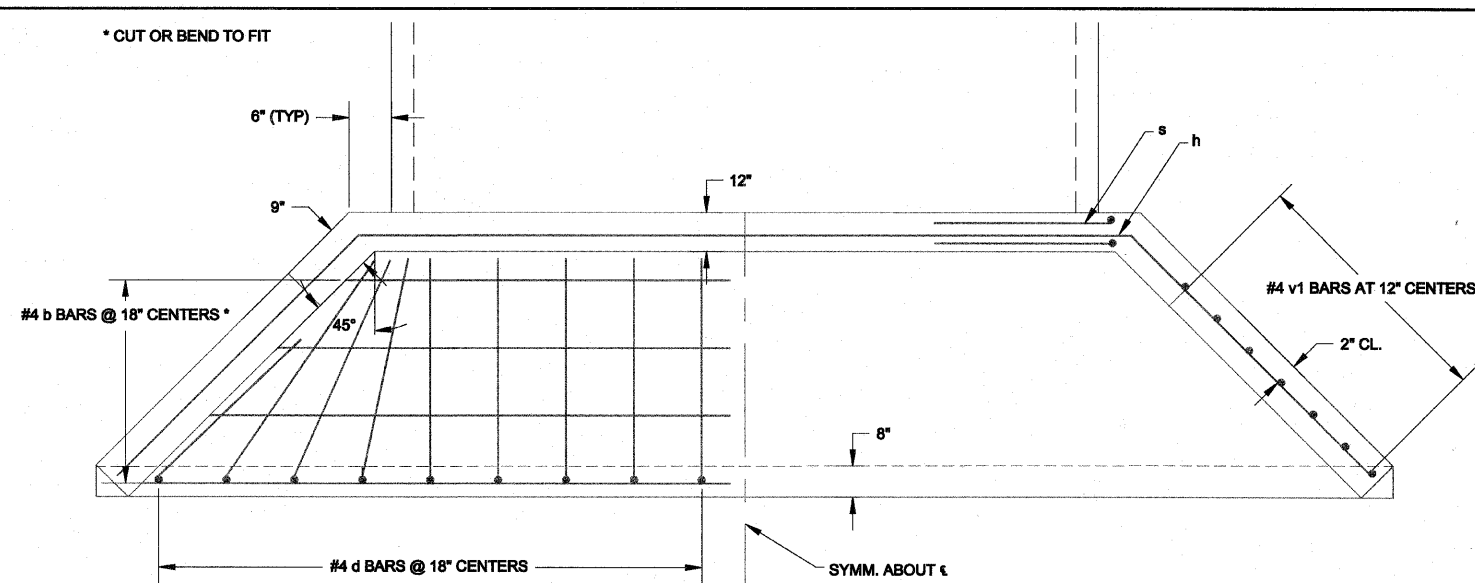
**23+38.43 CAST-IN-PLACE APRON  
END SECTION AND COLLAR  
END ELEVATION  
DETAIL**



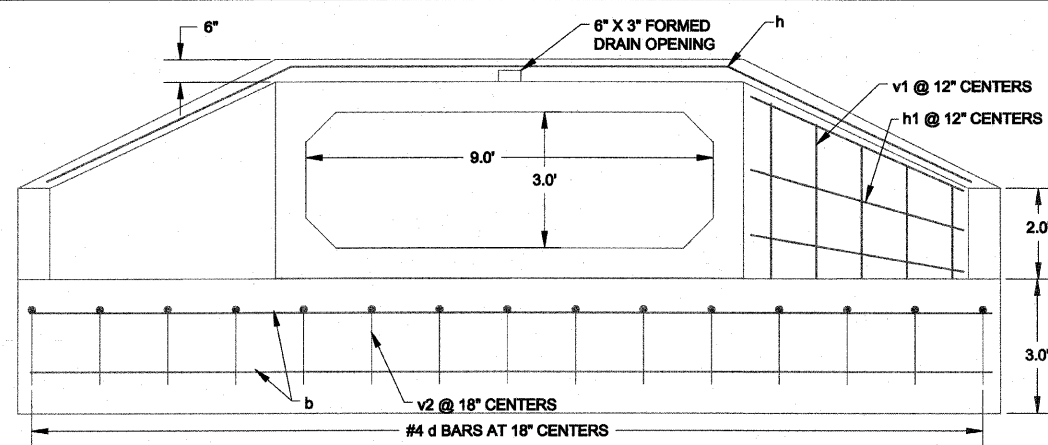
**23+38.43 CAST-IN-PLACE APRON  
END SECTION AND COLLAR  
PLAN VIEW  
DETAIL**



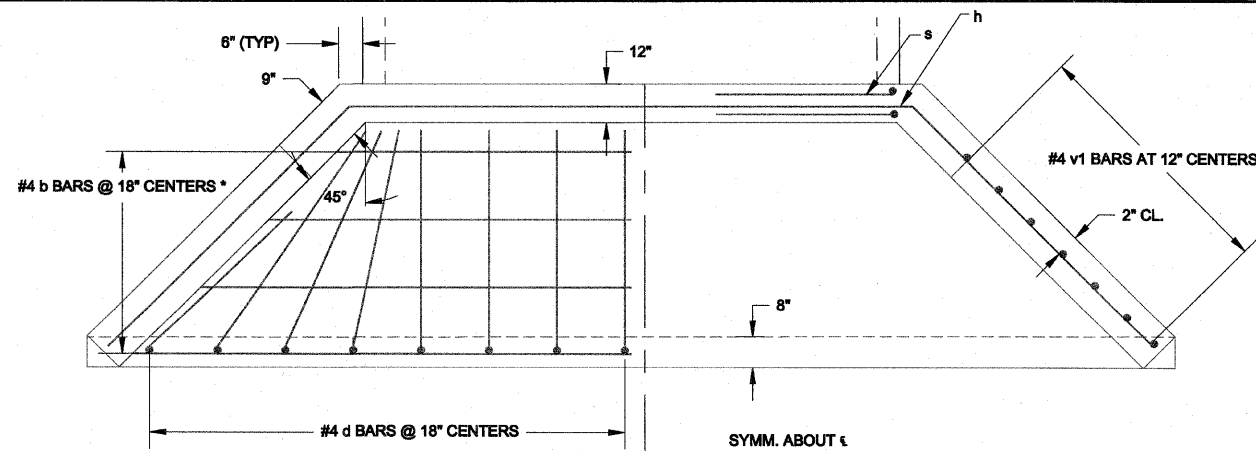
**29+62.81 CAST-IN-PLACE APRON  
END SECTION AND COLLAR  
END ELEVATION  
DETAIL**



**29+62.81 CAST-IN-PLACE APRON  
END SECTION AND COLLAR  
PLAN VIEW  
DETAIL**



**52+42 CAST-IN-PLACE APRON  
END SECTION AND COLLAR  
END ELEVATION  
DETAIL**



**52+42 CAST-IN-PLACE APRON  
END SECTION AND COLLAR  
PLAN VIEW  
DETAIL**

**FINAL**

SCALE: 1" = 20'

DESIGNED - JEP	REVISED -
DRAWN - JCL	REVISED -
CHECKED - JEP	REVISED -
DATE - 12/01/2008	REVISED -

STATE OF ILLINOIS  
DEPARTMENT OF TRANSPORTATION

**Details**