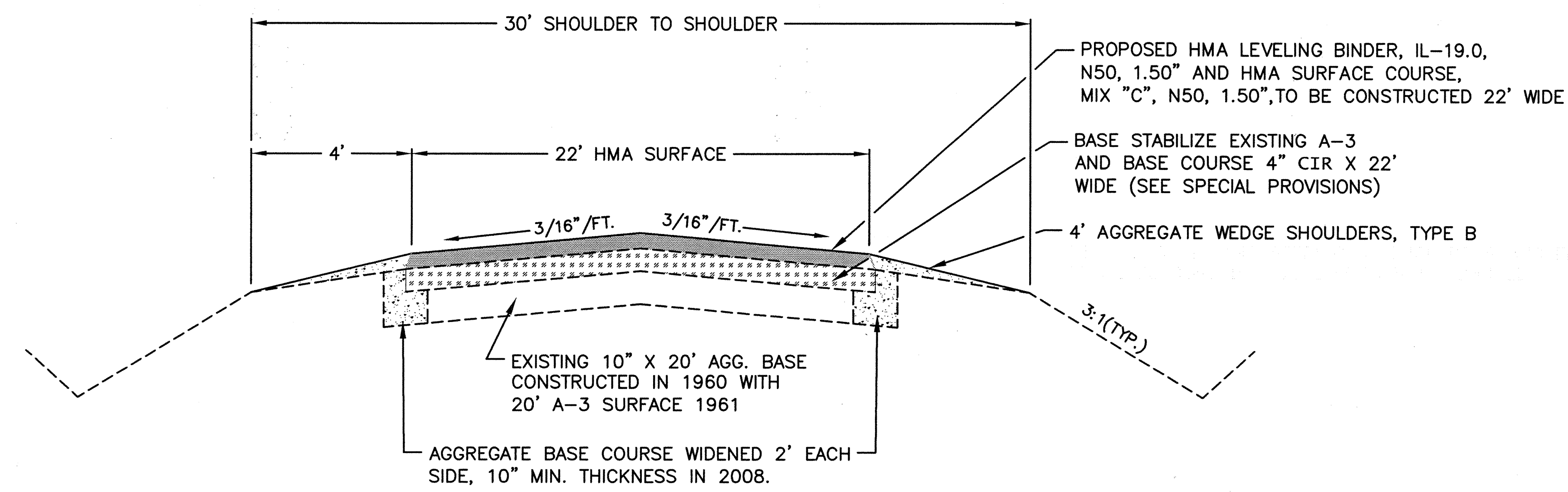


ROUTE NO.	SECTION	COUNTY	TOTAL SHEETS	SHEET NO.
1362	06-00100-02-RS	LIVINGSTON	5	2

PROJECT NO. RS-1362(115)

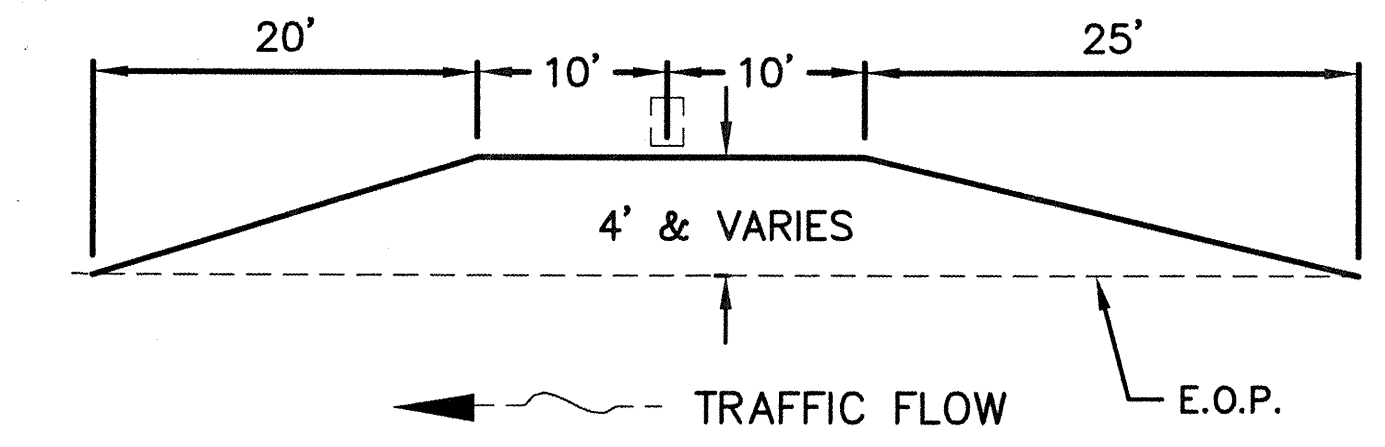
NOT PLOTTED TO SCALE



TYPICAL CROSS SECTION (NTS)

Sta. 373+60 to 628+60

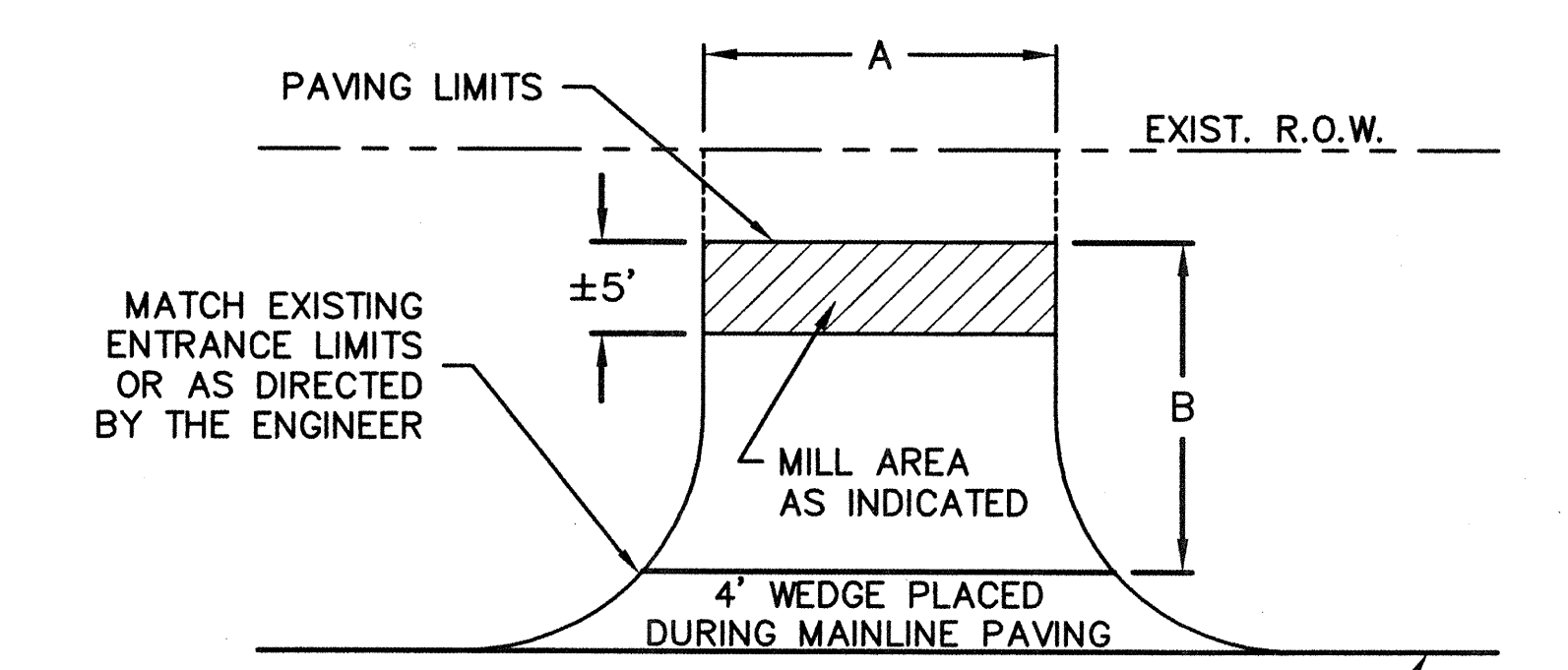
	HMA Level Binder	HMA Surface	HMA Incidental
PG Grade	PG58-22		
Design Air Voids	4.0% @ N50	4.0% @ N50	4.0% @ N50
Mixture Composition	IL 19.0	IL 9.5	IL 9.5
Friction Aggregate	N/A	Mixture C	Mixture C
Density Test Method	Correlation	Correlation	Satisfaction of Engineer



MAILBOX TURNOUT DETAIL (NTS)

PLACED DURING MAINLINE PAVING

OCOYA RD. / CH 8 - ENTRANCE QUANTITIES									
TYPE	STATION	A(Ft.)	B(Ft.)	AREA (S.Y.)	MILLING (S.Y.)	BIT. MAT. PRIME(MC-30)	LEVEL BINDER	SURFACE COURSE	INCID. BIT.
PE	399+45(L)	15	10	17		6	1	1	3
PE	452+15(L)	15	10	17		6	1	1	3
CE(TWP)	483+09(L)	132	10	147		51	5	5	25
PE	489+29(L)	20	10	22		8	1	1	4
PE	496+79(R)	18	10	20	10	0	1	1	4
PE	525+49(R)	25	10	28		10	1	1	5
PE	575+39(L)	20	10	22		8	1	1	4
MBTO	6 Total			113		40	10	10	
TOTALS					10	129	21	21	48



P.E. / C.E. DETAIL (NTS)

FOR QUANTITIES SEE CHART BELOW

Z:\CO\WORK\ROAD Projects\00100RS2-OCOYA Rd-East\Planning\ACAD\Plans-OCOYA Rd-4.8mi.dwg, 2/16/2012 3:13:34 PM