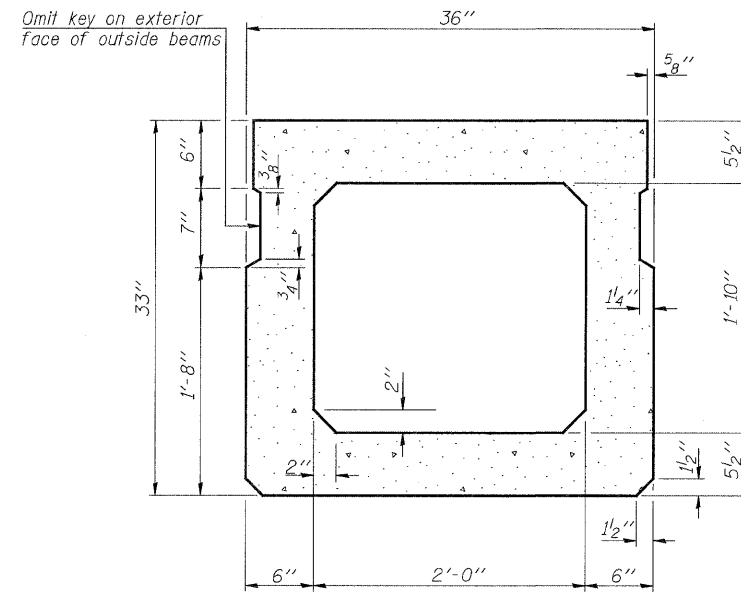
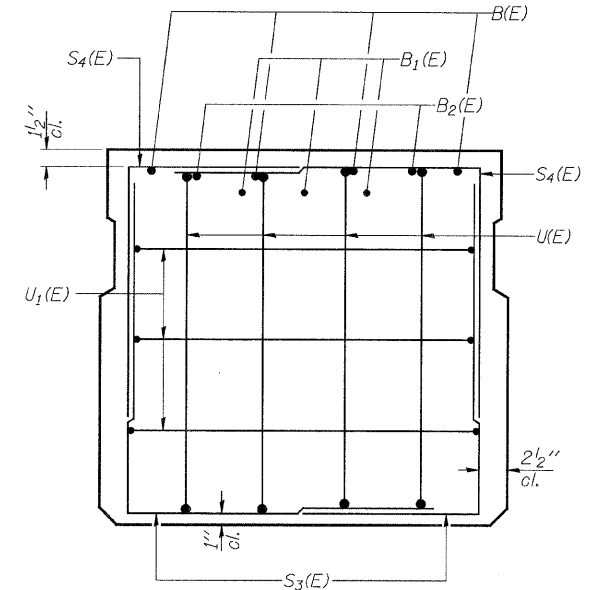


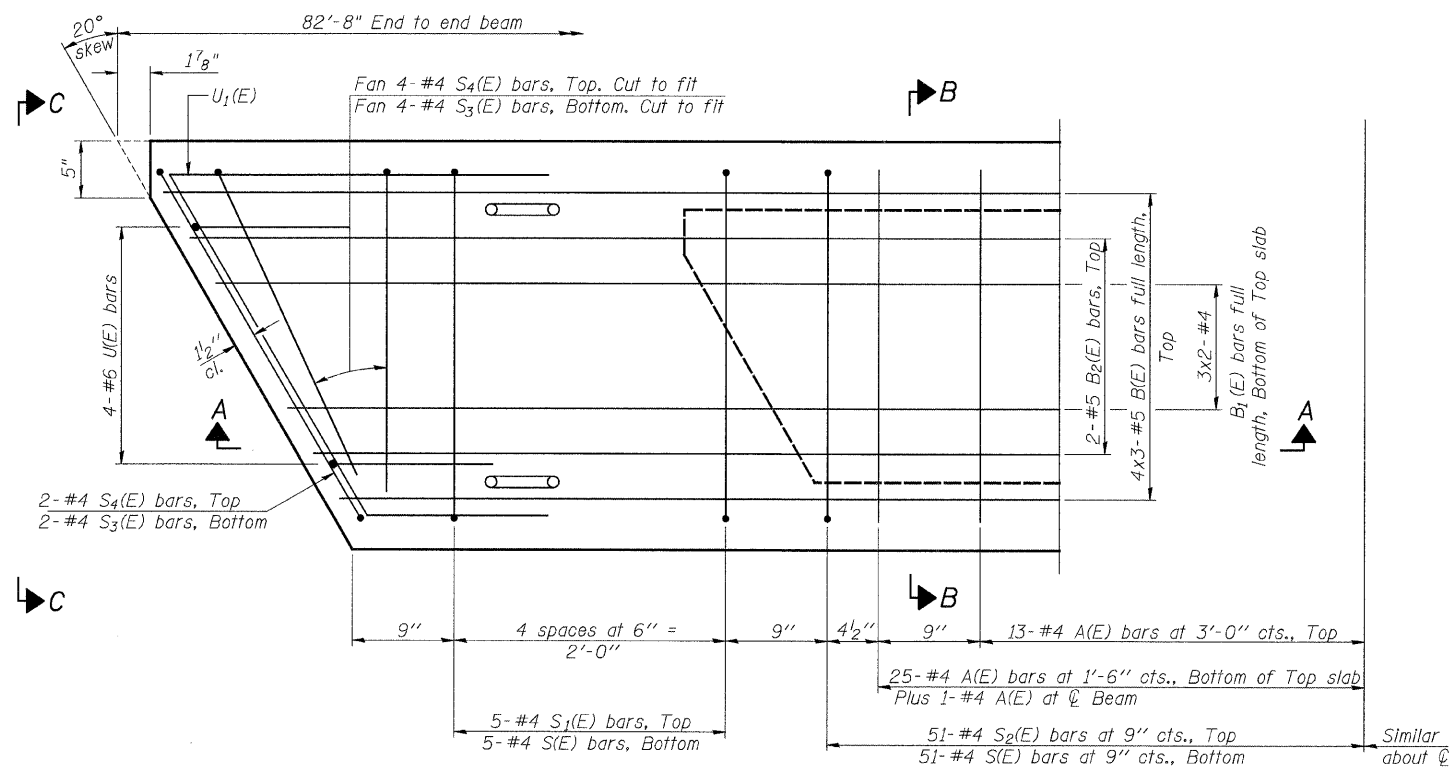
SECTION A-A



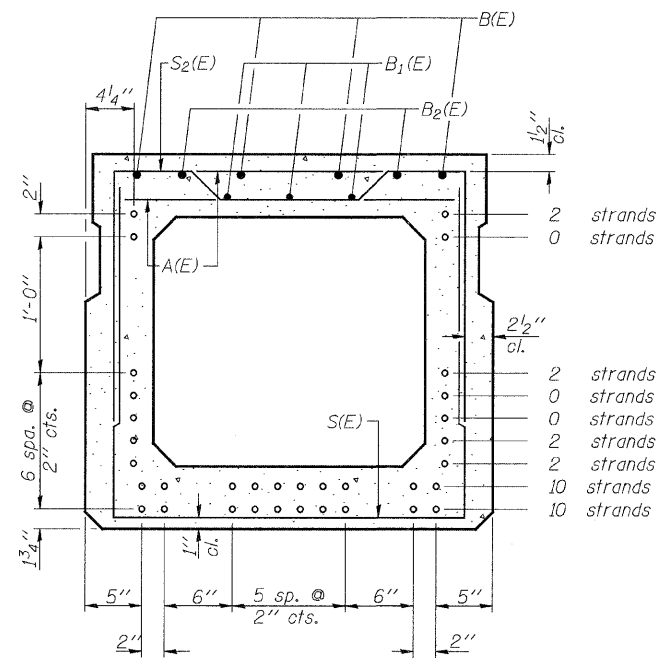
SECTION B-B  
(Showing dimensions)



VIEW C-C



PLAN VIEW



SECTION B-B

(Showing reinforcement and permissible strand locations)

**NOTE:**

Place the number of strands specified in each row symmetrically about the centerline of beam in the permissible strand locations shown.

**BAR LIST  
ONE BEAM ONLY**  
(For information only)

Bar	No.	Size	Length	Shape
A(E)	77	#4	2'-7"	—
B(E)	12	#5	29'-2"	—
B1(E)	6	#4	42'-3"	—
B2(E)	4	#5	10'-0"	—
S(E)	112	#4	7'-5"	┌
S1(E)	10	#4	6'-3"	┌
S2(E)	102	#4	6'-6"	┌
S3(E)	8	#4	4'-9"	┌
S4(E)	8	#4	4'-2"	┌
U(E)	8	#6	5'-0"	┌
U1(E)	6	#4	6'-1"	┌

**NOTES:**

See Structural Sheet 4 of 9 for additional details and Bill of Material.

Spacing of S(E) and S2(E) bars may be adjusted up to 4" in the immediate area of the transverse tie diaphragms to miss the block outs for the transverse ties.

Bars indicated thus 4x3-#5 etc. indicates 4 lines of bars with 3 lengths per line.

**MINIMUM BAR LAP**

#4 bar = 2'-0"  
#5 bar = 2'-6"

FILE = S:\PROJECTS\2010\1286D10\BureauCo\_Trip\DESIGN\DRAWINGS\1286D10DeckBeams.dgn



DESIGNED - MICHAEL WAGNER	REVISED -
CHECKED - BRIAN CONVERSE	REVISED -
DRAWN - MICHAEL WAGNER	REVISED -
CHECKED - MEGAN CACKLEY	REVISED -

**BUREAU COUNTY**  
**T.R. 136 (1125 E. ST.) OVER FOX CREEK**  
**STATION 20 + 05**

**33" x 36" PPC DECK BEAM**  
**STRUCTURE NO. 006-4235**

STRUCTURAL SHEET NO. 3 OF 9 SHEETS

TWP. RTE.	SECTION	COUNTY	TOTAL SHEETS	SHEET NO.
136	10-16115-00-BR	BUREAU	21	11
WHA# 1286D10		CONTRACT NO. 87498		
ILLINOIS FED. AID PROJECT BR05-0011084				