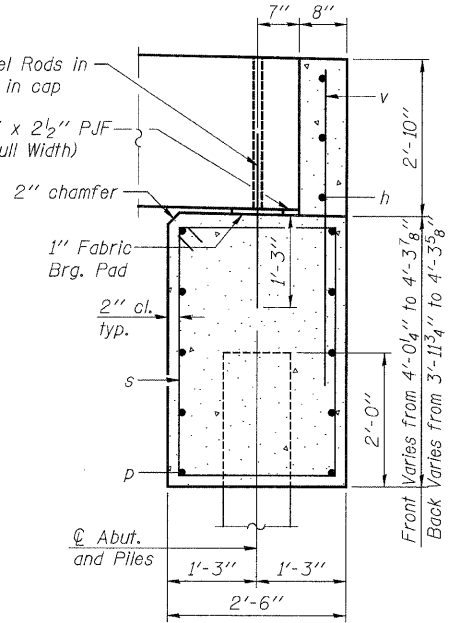
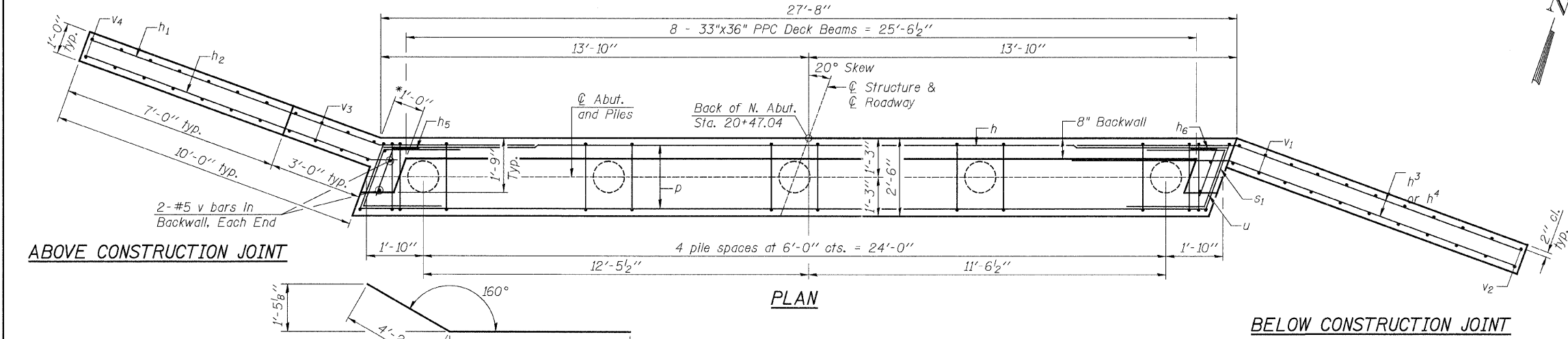


**ELEVATION**  
(Looking North)

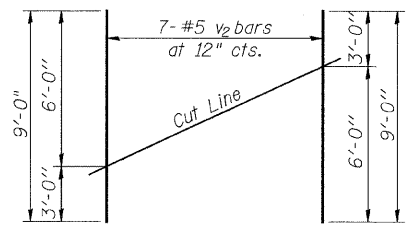
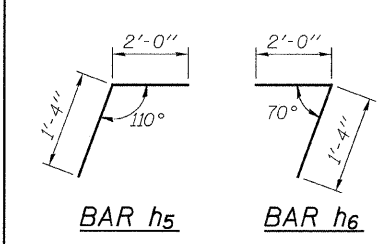


**SEC. THRU ABUT.**  
(Dimensions are at Rt. L's)



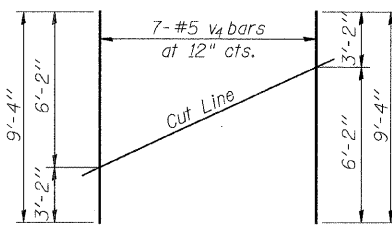
**PLAN**

**PILE DATA**  
Type: Metal Shell 12"  $\phi$  x 0.250" walls  
Nominal Required Bearing: 317 k  
Factored Resistance Available: 175 k  
Est. Length: 27'  
No. Production Piles: 4  
No. Test Piles: 1



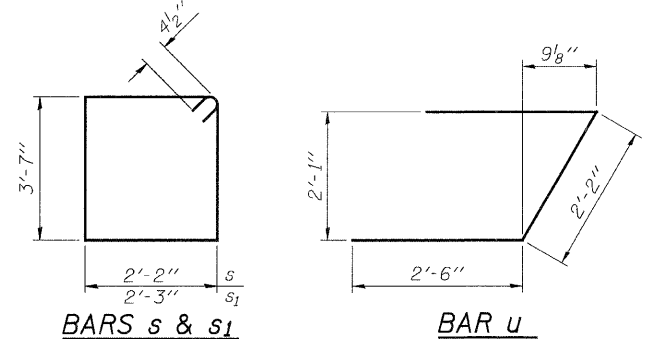
**FIELD CUTTING DIAGRAM**

Order v2 full length. Cut as shown and use remainder of bars in opposite face.



**FIELD CUTTING DIAGRAM**

Order v4 full length. Cut as shown and use remainder of bars in opposite face.



**BARS s & s1**

**BAR u**

**BILL OF MATERIAL**

Bar	No.	Size	Length	Shape
h	3	#5	27'-4"	
h1	12	#4	11'-6"	
h2	12	#4	9'-6"	
h3	24	#6	14'-0"	
h4	4	#4	4'-6"	
h5	3	#5	3'-4"	┌
h6	3	#5	3'-4"	┐
p	10	#7	27'-4"	
s	28	#4	12'-3"	□
s1	2	#4	12'-5"	□
u	10	#6	7'-2"	└
v	32	#5	4'-10"	
v1	8	#5	6'-6"	
v2	7	#5	9'-0"	
v3	8	#5	6'-8"	
v4	7	#5	9'-4"	
Concrete Structures	Cu. Yd.		16.9	
Reinforcement Bars	Pound		2,110	
Furnishing Metal Shell Piles 12" x 0.250"	Foot		108	
Driving Piles	Foot		108	
Test Pile Metal Shells	Each		1	
** Porous Granular Embankment, Special	Ton		97	

**NOTES:**

- Hatched portion of wingwalls to be poured with the backwall after the deck beams have been installed and grout has cured for a minimum of 24 hours.
- All exposed edges shall have standard  $\frac{3}{4}$ " chamfers, except as noted.
- Space reinforcement in cap to miss dowel rods.
- After beams have been erected, holes shall be drilled into substructure and anchor dowels placed. Dowel holes shall be filled with non-shrink grout to top of beam and allowed to cure a min. of 24 hours prior to grouting the shear keys.
- For pile details, see Structural Sheet 8 of 9.
- \* May vary due to overrun of beams.
- \*\* For drainage details, see Structural Sheet 2 of 9.

FILE = S:\PROJECTS\2016\1286D10 - Bureau Co. TR136 DESIGN DRAWINGS\1286D10-Submittal.dgn



DESIGNED - MICHAEL WAGNER	REVISED -
CHECKED - BRIAN CONVERSE	REVISED -
DRAWN - MICHAEL WAGNER	REVISED -
CHECKED - MEGAN CACKLEY	REVISED -

**BUREAU COUNTY**  
**T.R. 136 (1125 E. ST.) OVER FOX CREEK**  
**STATION 20 + 05**

**NORTH ABUTMENT DETAILS**  
**STRUCTURE NO. 006-4235**  
STRUCTURAL SHEET NO. 6 OF 9 SHEETS

TWP. RTE.	SECTION	COUNTY	TOTAL SHEETS	SHEET NO.
136	10-16115-00-BR	BUREAU	21	14
WHA* 1286D10			CONTRACT NO. 87498	
[ILLINOIS] FED. AID PROJECT BROS-0011084				