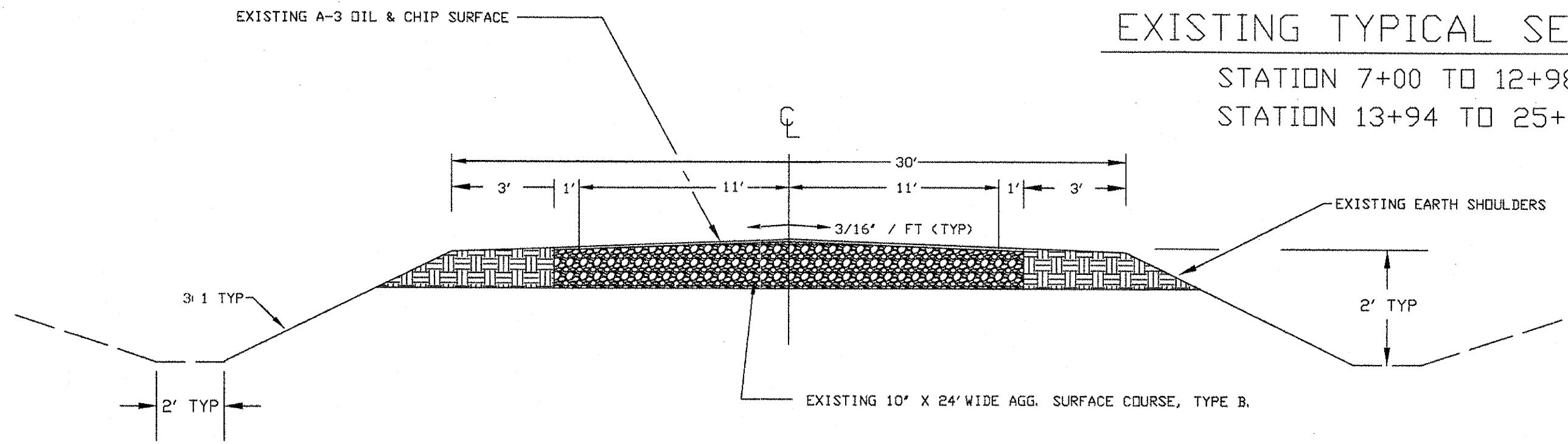


ROUTE NO.	SECTION	COUNTY	TOTAL SHEETS	SHEET NO.
FAS 316	12-00229-00-SP	IRROQUOIS	5	3
JOB # C-93-047-12		PROJECT HSIP-0316(110)		
CONTRACT 87517				

## EXISTING TYPICAL SECTION

STATION 7+00 TO 12+98  
STATION 13+94 TO 25+00



### \* SUPER-ELEVATION AT 0.08

STA 9+47 TO 10+49  
STA 14+54 TO 17+59  
STA 21+63.50 TO 22+60

## PROPOSED TYPICAL SECTION

STATION 7+00 TO 12+98  
STATION 13+94 TO 25+00

