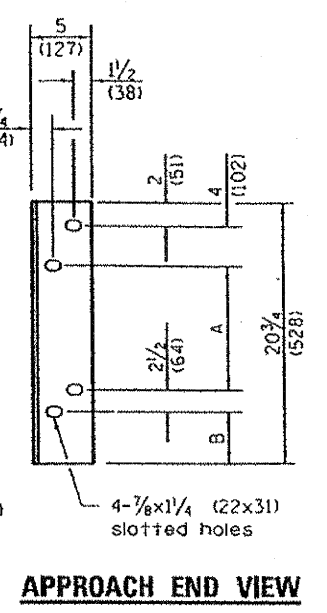
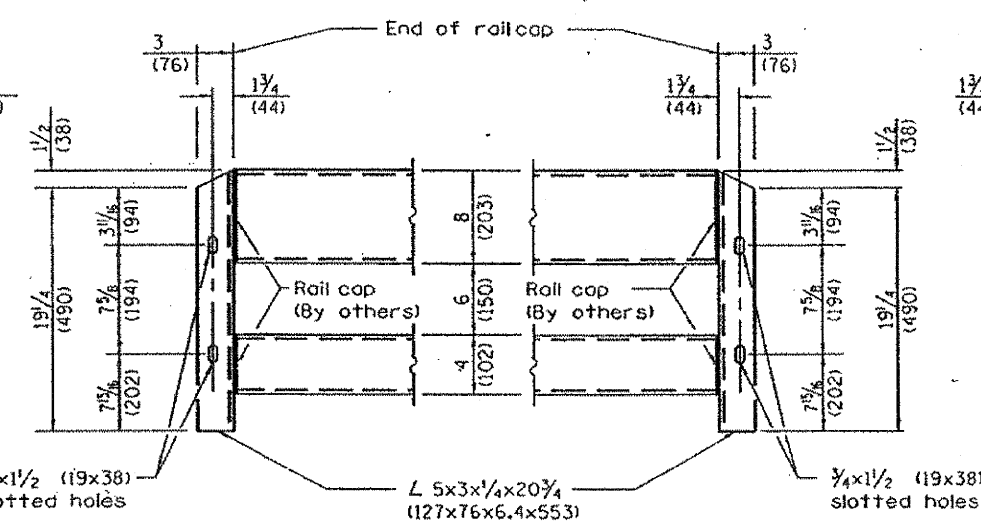
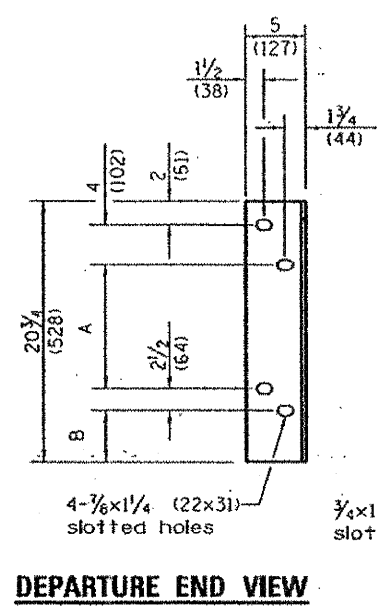
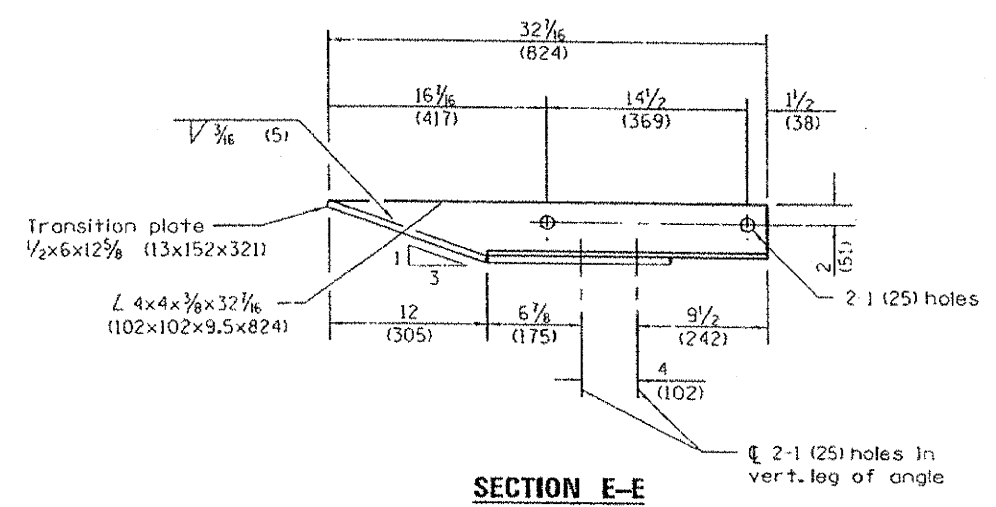
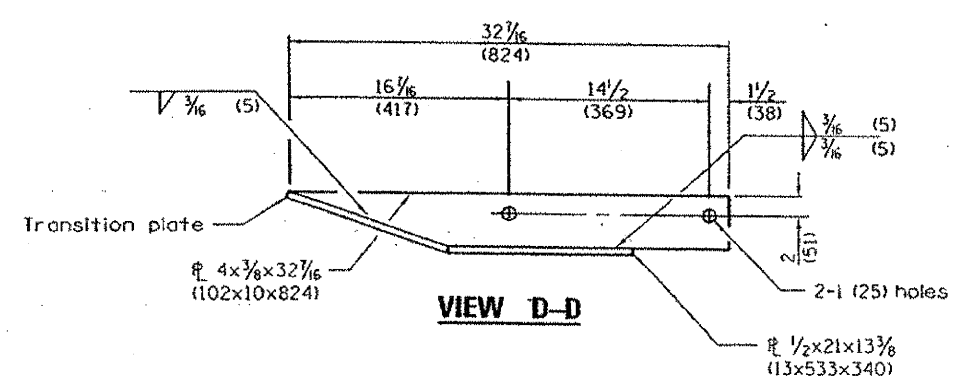


**LEGEND**

- 4-1 (25) holes for 3/8 (22) H.S. bolts and nuts
- ⊗ Drill and tap 3 holes for 3/8 (22) H.S. bolts.

Dimensions	A	B
For Curb Mounted Rail	8 3/4 (222)	3 1/2 (89)
For Side Mounted Rail	9 3/4 (247)	2 1/2 (64)

**GUARDRAIL CONNECTION PLATE ASSEMBLY DETAILS**  
(Mirror for opposite end)



**CONNECTION ANGLES**  
(Install angles to rail caps using 3/8 (19) washers and self-locking nuts or nuts and jam nuts, to be provided by others)