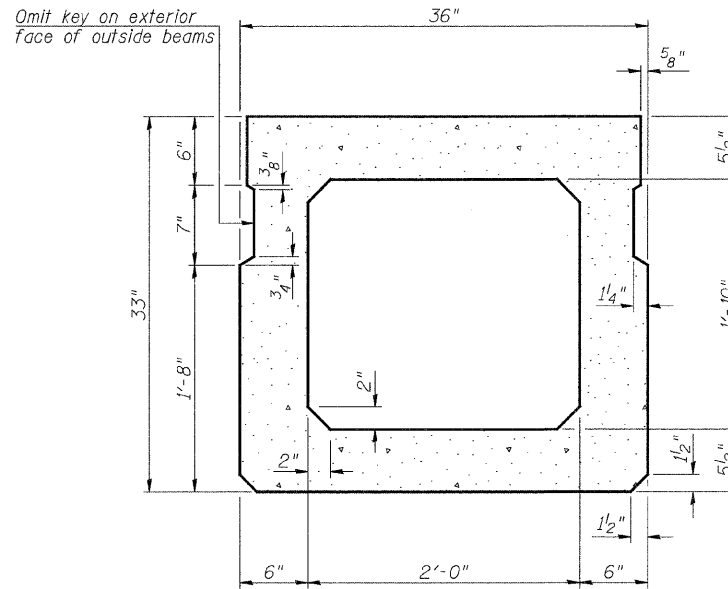
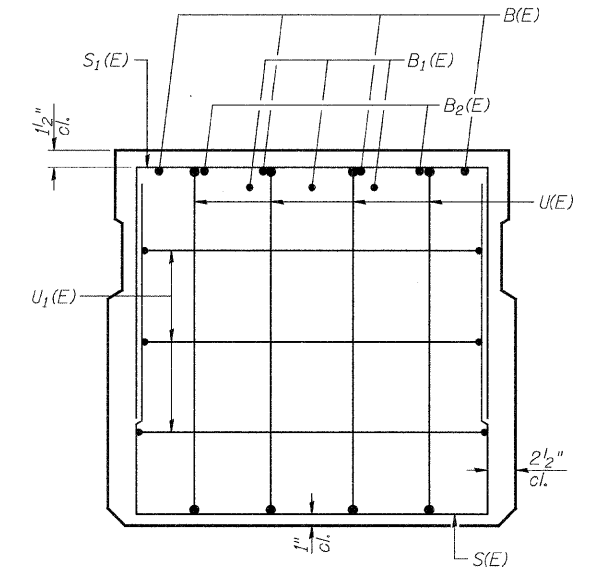


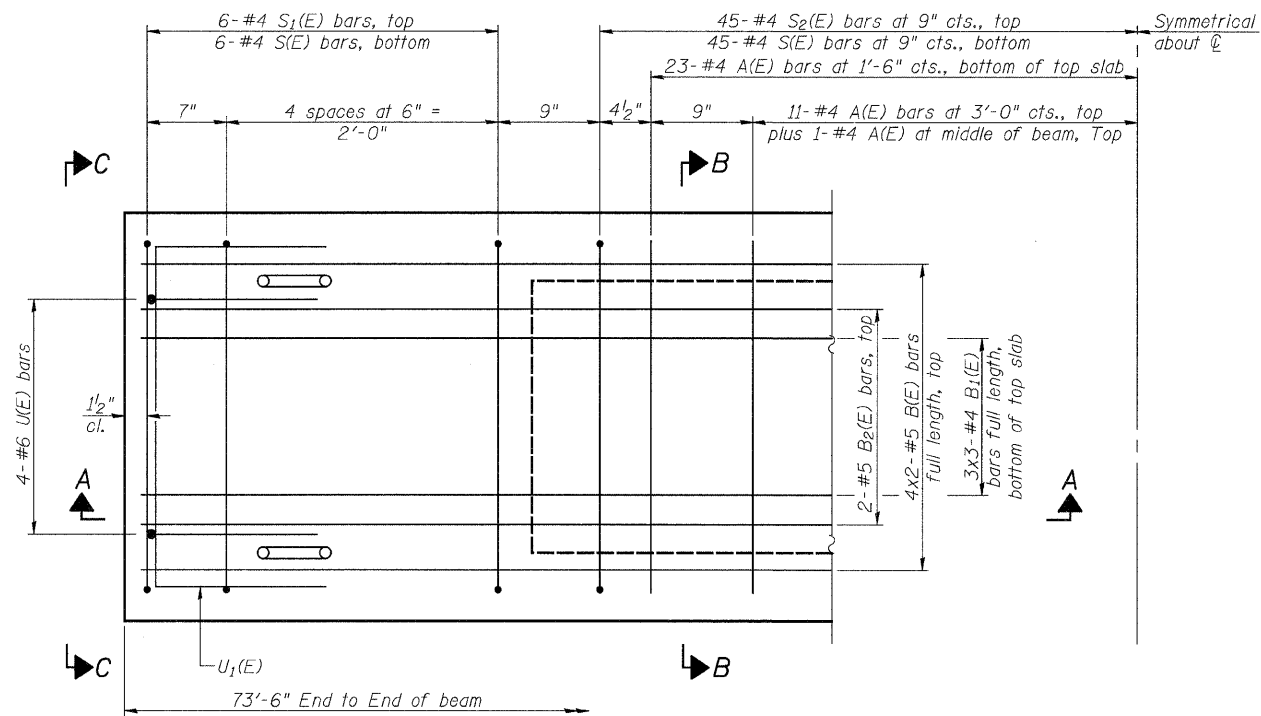
SECTION A-A



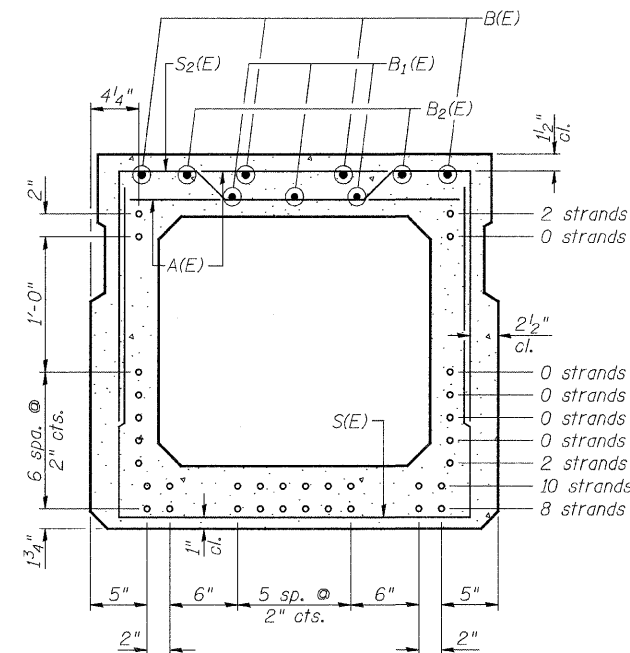
SECTION B-B
(Showing dimensions)



VIEW C-C



PLAN VIEW



SECTION B-B
(Showing reinforcement and permissible strand locations)

BAR LIST
ONE BEAM ONLY
(For information only)

Bar	No.	Size	Length	Shape
A(E)	99	#4	2'-7"	—
B(E)	8	#5	37'-11"	—
B1(E)	9	#4	25'-10"	—
B2(E)	4	#5	10'-0"	—
S(E)	102	#4	7'-5"	┌
S1(E)	12	#4	6'-3"	┌
S2(E)	90	#4	6'-6"	┌
U(E)	8	#6	5'-0"	┌
U1(E)	6	#4	5'-0"	┌

NOTE:
See Structural Sheet 4 of 10 for additional details and Bill of Material.

Bars indicated thus 4x2-#5 etc. indicates 4 lines of bars with 2 lengths per line.

NOTE:
Place the number of strands specified in each row symmetrically about the centerline of beam in the permissible strand locations shown.

NOTE:
Spacing of S(E) and S2(E) bars may be adjusted up to 4" in the immediate area of the transverse tie diaphragms to miss the block outs for the transverse ties.

MINIMUM BAR LAP

#4 bar = 2'-0"
#5 bar = 2'-6"

FILE = G:\S\Project\1128006\1128006-DeckBeam.dgn



DESIGNED - MICHAEL WAGNER	REVISED -
CHECKED - BRIAN CONVERSE	REVISED -
DRAWN - RON ALLEN	REVISED -
CHECKED - BRIAN CONVERSE	REVISED -

MERCER COUNTY
F.A.S. 217 (C.H. 6) OVER MAIDS RUN
STATION 20+05

33" x 36" PPC DECK BEAM
STRUCTURE NO. 066-3031

STRUCTURAL SHEET NO. 3 OF 10 SHEETS

F.A.S. RTE.	SECTION	COUNTY	TOTAL SHEETS	SHEET NO.
217	05-00096-00-BR	MERCER	21	10
WHA* 1128006		CONTRACT NO. 89432		
ILLINOIS FED. AID PROJECT BRS-021(102)				