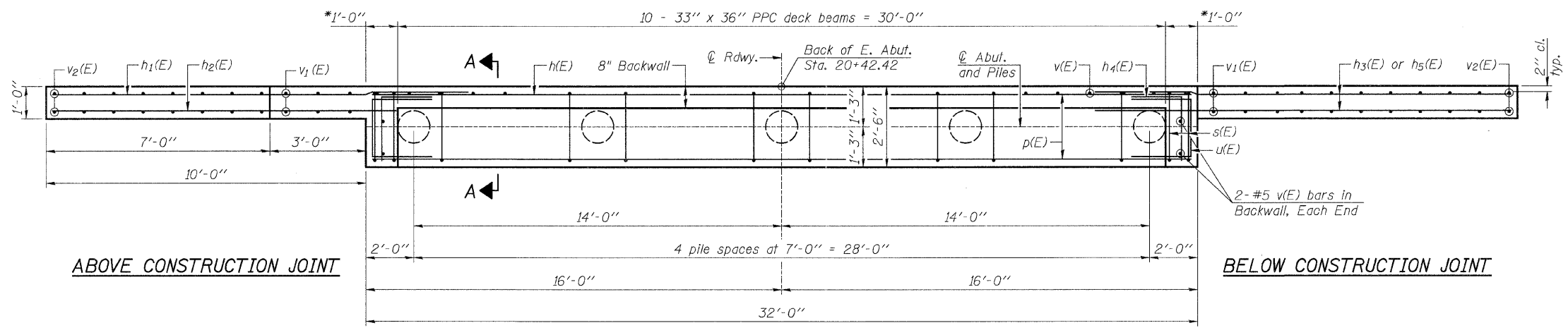


ELEVATION
(Looking East)

SECTION A-A

BILL OF MATERIAL

Bar	No.	Size	Length	Shape
h(E)	6	#5	31'-8"	
h1(E)	8	#4	11'-7"	
h2(E)	8	#4	9'-4"	
h3(E)	24	#6	14'-0"	
h4(E)	6	#5	4'-0"	
h5(E)	4	#4	4'-9"	
p(E)	10	#7	31'-8"	
s(E)	32	#4	12'-5"	
u(E)	10	#6	7'-1"	
v(E)	70	#5	4'-10"	
v1(E)	12	#5	6'-6"	
v2(E)	16	#5	9'-5"	
Structure Excavation		Cu. Yd.	118	
Concrete Structures		Cu. Yd.	19.0	
Reinforcement Bars, Epoxy Coated		Pound	2,300	
Furnishing Metal Shell Piles 12" x 0.250"		Foot	168	
Driving Piles		Foot	168	
Test Pile Metal Shells		Each	1	
Pile Shoes		Each	5	
** Porous Granular Embankment, Special		Ton	100	



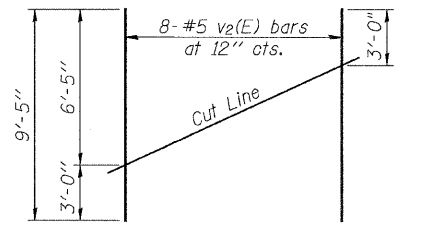
ABOVE CONSTRUCTION JOINT

BELOW CONSTRUCTION JOINT

PLAN

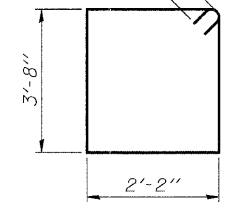
PILE DATA

Type: Metal Shell 12" ϕ x 0.250" walls w/ Pile Shoes
 Nominal Required Bearing: 355 kips
 Factored Resistance Available: 195 kips
 Est. Length: 42'
 No. Production Piles: 4
 No. Test Piles: 1

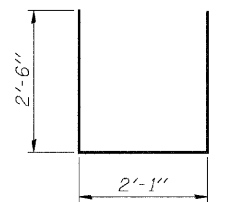


FIELD CUTTING DIAGRAM

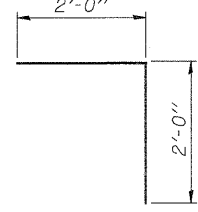
Order v2(E) bars full length. Cut as shown and use remainder of bars in opposite face.



BAR s(E)



BAR u(E)



BAR h4(E)

NOTES:

- Hatched portion of wingwalls to be poured with the backwall after the deck beams have been installed and grout has cured for a minimum of 24 hours.
- All exposed edges shall have standard $\frac{3}{4}$ " chamfers, except as noted.
- Space reinforcement in cap to miss dowel rods.
- After beams have been erected, holes shall be drilled into substructure and anchor dowels placed. Dowel holes shall be filled with non-shrink grout to top of beam and allowed to cure a min. of 24 hours prior to grouting the shear keys.
- For pile details, see Structural Sheet 8 of 10.
- * May vary due to overrun of beams.
- ** For Drainage Details, see Structural Sheet 2 of 10.

FILE # S:\Struct\11268965\Bridg\11268966.E.Abut.dgn

DESIGNED -	MICHAEL WAGNER	REVISED -	
CHECKED -	BRIAN CONVERSE	REVISED -	
DRAWN -	FRANK LACHAT	REVISED -	
CHECKED -	BRIAN CONVERSE	REVISED -	

MERCER COUNTY
F.A.S. 217 (C.H. 6) OVER MAIDS RUN
STATION 20+05

EAST ABUTMENT DETAILS
STRUCTURE NO. 066-3031

STRUCTURAL SHEET NO. 6 OF 10 SHEETS

F.A.S. RTE.	SECTION	COUNTY	TOTAL SHEETS	SHEET NO.
217	05-00096-00-BR	MERCER	21	13
	WHA* 1128D06		CONTRACT NO. 89432	
ILLINOIS FED. AID PROJECT BRS-0211021				