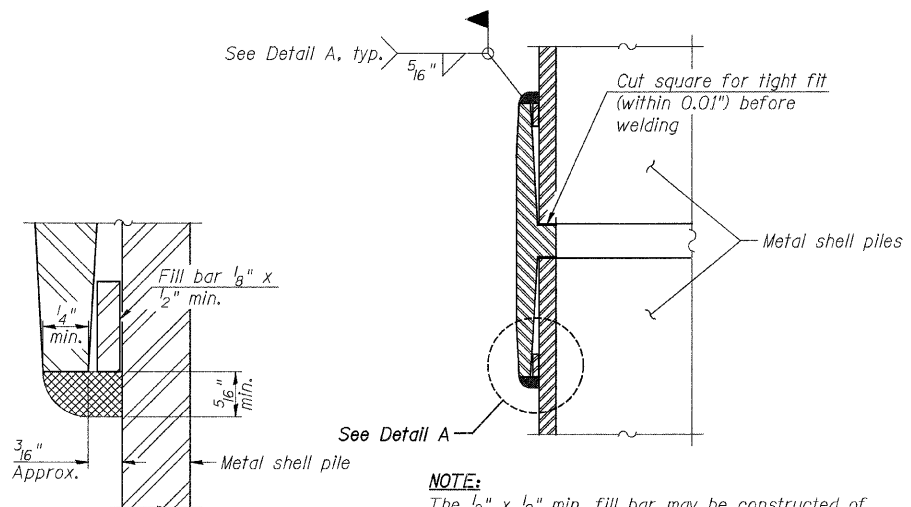


METAL SHELL PILE TABLE

Designation and outside diameter	Wall thickness t	Weight per Foot (Lbs./ft.)	Inside volume (yd. ³ /ft.)
PP12	0.179"	22.60	0.0274
PP12	0.250"	31.37	0.0267
PP14	0.250"	36.71	0.0368
PP14	0.312"	45.61	0.0361



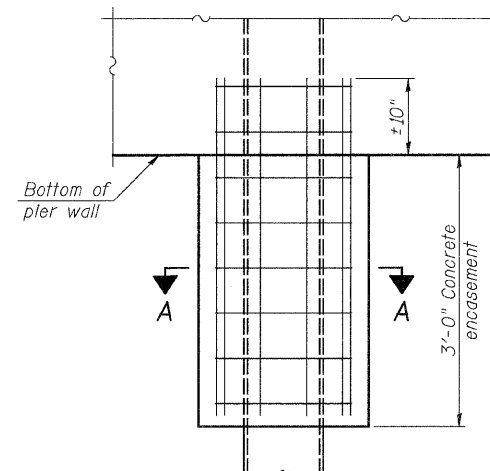
DETAIL A

NOTE:

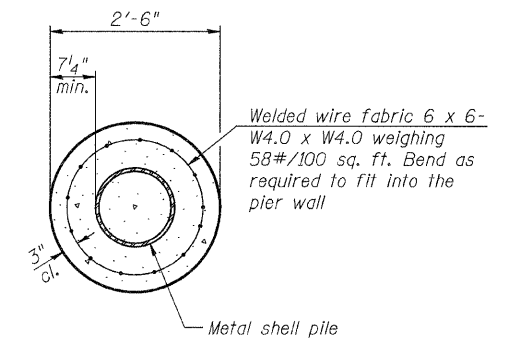
The 1/8" x 1/2" min. fill bar may be constructed of 2 bars with a 1/8" max. gap between them.

Pile segments shall be driven to solid contact with splicer before welding.

WELDED COMMERCIAL SPLICE



ELEVATION

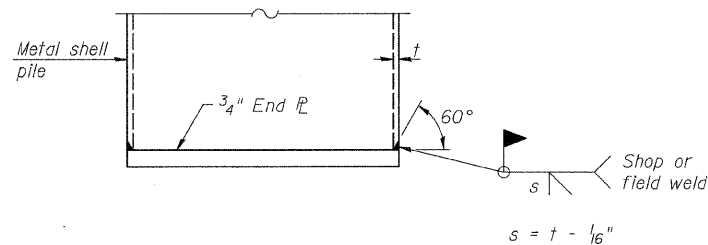


SECTION A-A

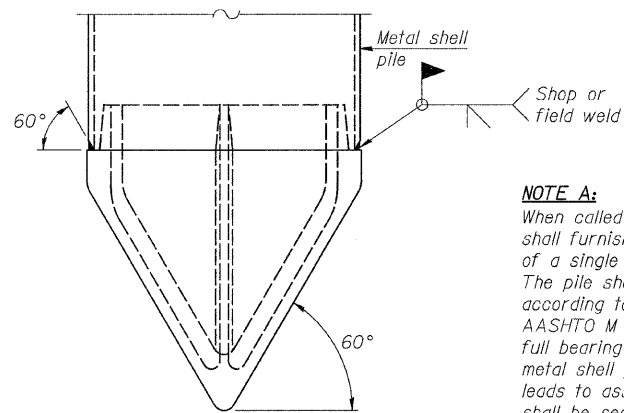
NOTE:

Forms for encasement may be omitted when soil conditions permit.

CONCRETE ENCASEMENT AT PIERS



END PLATE ATTACHMENT

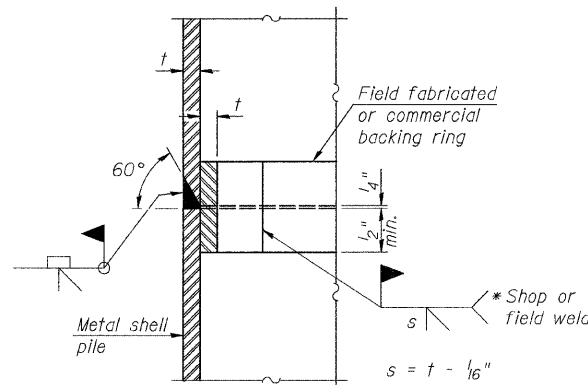


NOTE A:

When called for on the plans, the Contractor shall furnish metal shell pile shoes consisting of a single piece conical pile point as shown. The pile shoes shall be cast in one piece steel according to either ASTM A 148 Grade 90-60 or AASHTO M 103 Grade 65-35 and shall provide full bearing over the full circumference of the metal shell pile. The pile shoe shall have tapered leads to assure proper alignment and fitting and shall be secured to the pile with a circumferential weld.

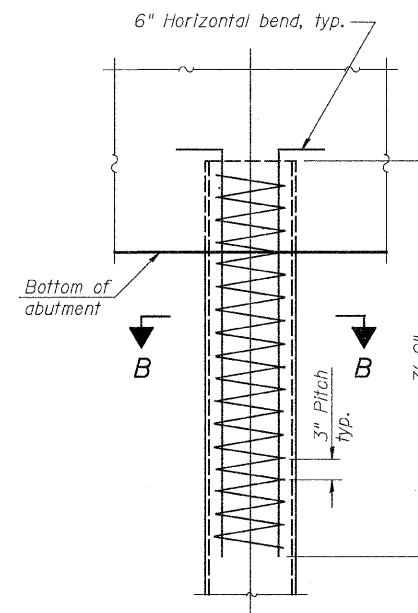
METAL SHELL PILE SHOE ATTACHMENT

(See Note A)

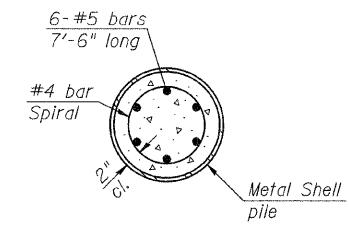


COMPLETE PENETRATION WELD SPLICE

* Field Fabricated backing ring may be made from pile shell by removing segment to allow reducing circumference and vertically rejoin with partial joint penetration weld.



ELEVATION



SECTION B-B

METAL SHELL REINFORCEMENT AT ABUTMENTS

NOTE:

The metal shell piles shall be according to ASTM A 252 Grade 3.

FILE = S:\S\Project\1128d06\Bridges Drawings\1128d06_Pile.dgn



DESIGNED -	MICHAEL WAGNER	REVISED -	
CHECKED -	BRIAN CONVERSE	REVISED -	
DRAWN -	RON ALLEN	REVISED -	
CHECKED -	BRIAN CONVERSE	REVISED -	

MERCER COUNTY
F.A.S. 217 (C.H. 6) OVER MAIDS RUN
STATION 20 + 05

METAL SHELL PILE DETAILS
STRUCTURE NO. 066-3031

STRUCTURAL SHEET NO. 8 OF 10 SHEETS

F.A.S. RTE.	SECTION	COUNTY	TOTAL SHEETS	SHEET NO.
217	05-00096-00-BR	MERCER	21	15
WHA# 1128D06		CONTRACT NO. 89432		
[ILLINOIS] FED. AID PROJECT BRS-0217(102)				