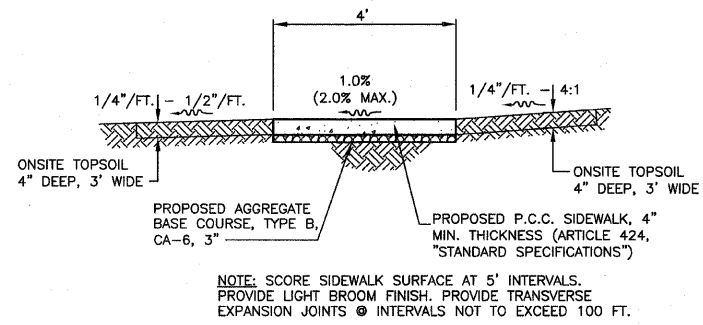
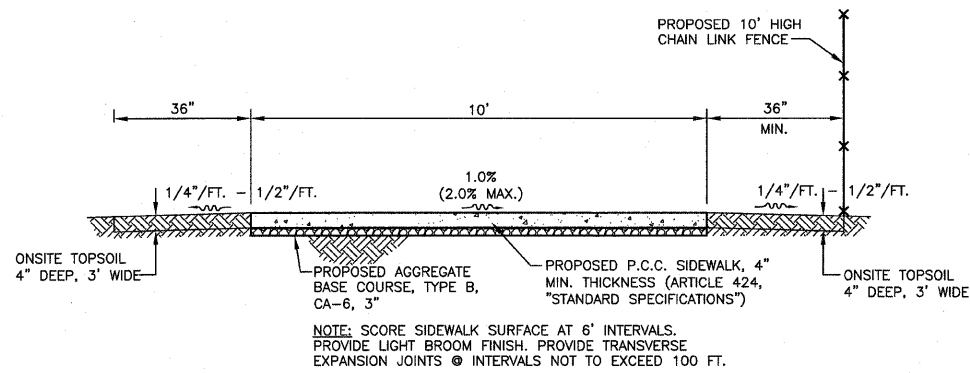


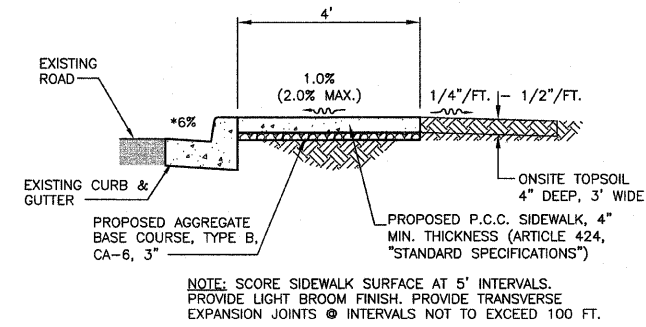
1
3
SIDEWALK TYPICAL SECTION #1
SCALE: 1/2"=1'-0"
STA. 0+64.3 TO STA. 2+00



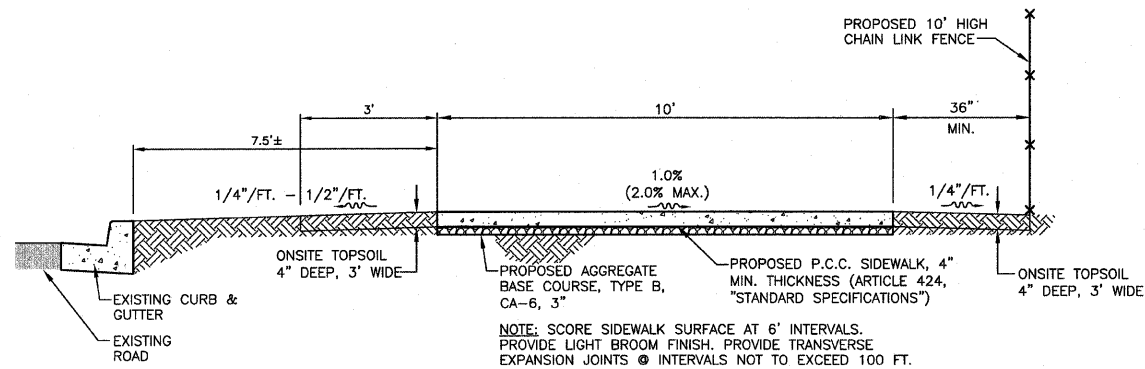
4
3
SIDEWALK TYPICAL SECTION #4
SCALE: 1/2"=1'-0"
SOUTH SIDE OF E. NORTH ST.



2
3
SIDEWALK TYPICAL SECTION #2
SCALE: 1/2"=1'-0"
STA. 2+00 TO STA. 4+36.6



5
3
SIDEWALK TYPICAL SECTION #5
SCALE: 1/2"=1'-0"
SOUTH SIDE OF E. NORTH ST.



3
3
SIDEWALK TYPICAL SECTION #3
SCALE: 1/2"=1'-0"
STA. 0+00 TO STA. 0+64.3

FILE NAME = F:/2010/2010040/PLANSET/TYPICALS

USER NAME = TLGIBB

PLOT SCALE = 20' / IN.

PLOT DATE = 11/09/2011

DESIGNED - SMB

DRAWN - RLR/TLG

CHECKED - KJC

DATE -

REVISED -

REVISED -

REVISED -

REVISED -

STATE OF ILLINOIS
DEPARTMENT OF TRANSPORTATION

TYPICAL SECTIONS

SHEET NO. OF SHEETS STA. TO STA.

F.A.P. RTE.	SECTION	COUNTY	TOTAL SHEETS	SHEET NO.
N/A	10-0001-00-BT	PEORIA	7	3
CONTRACT NO. 89590				
ILLINOIS FED. AID PROJECT SRTS-4009(039)				