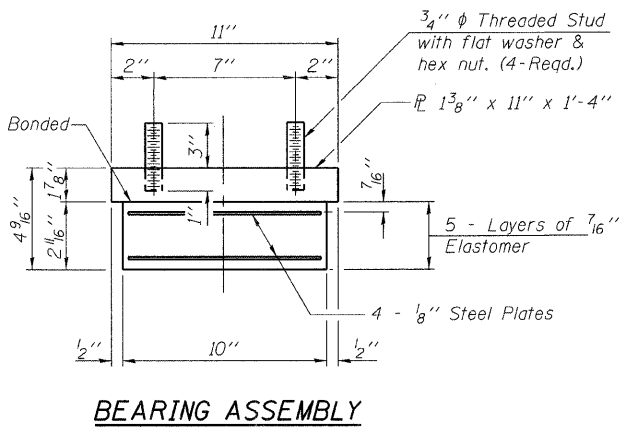


ELEVATION AT PIER 2

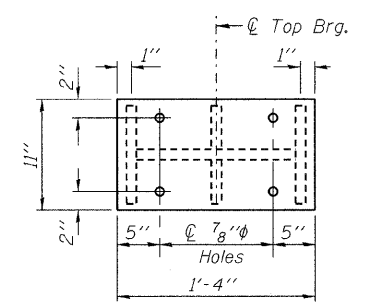
SECTION D-D

TYPE I ELASTOMERIC EXP. BRG. AT PIER 2
(6 Required)

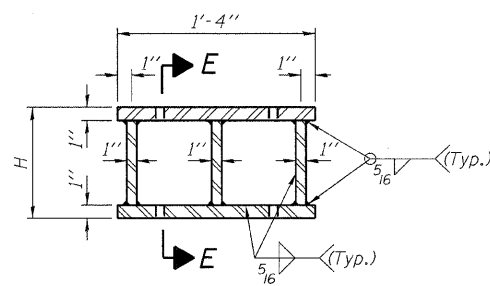


BEARING ASSEMBLY

Note:
Shim plates shall not be placed under Bearing Assembly.

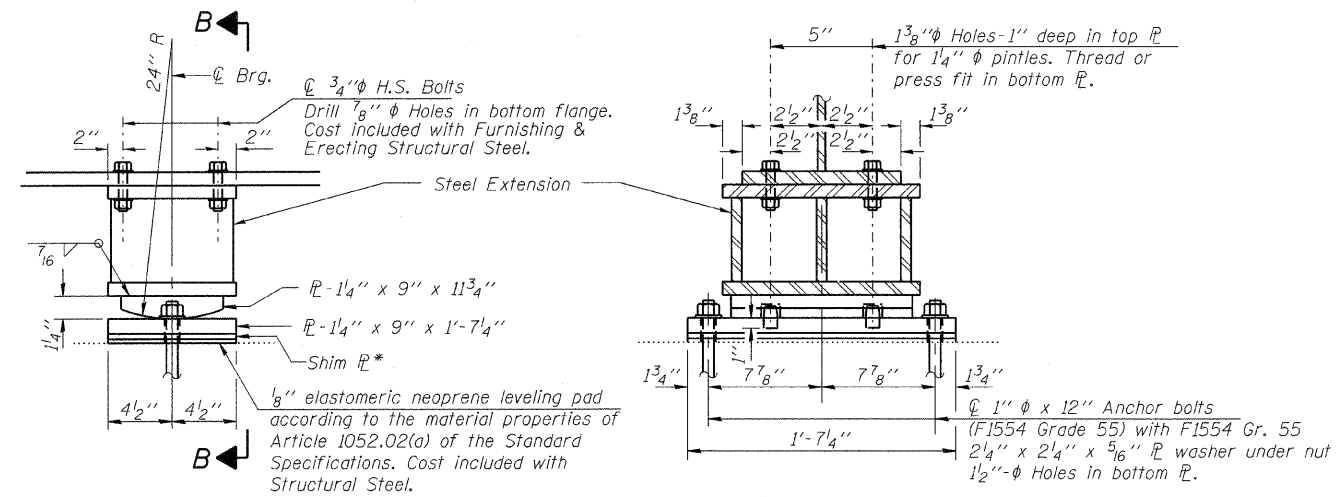


PLAN STEEL EXTENSION



ELEVATION STEEL EXTENSION

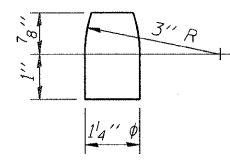
SECTION E-E



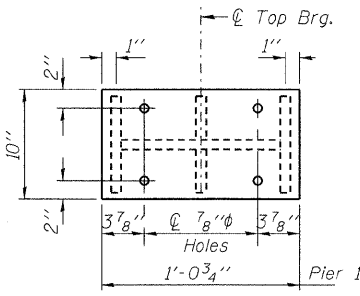
ELEVATION AT PIER

SECTION B-B

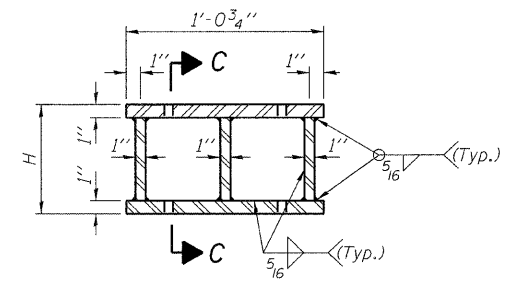
FIXED BEARING AT PIER 1
(6 Required)



PINTLE



PLAN STEEL EXTENSION



ELEVATION STEEL EXTENSION

SECTION C-C

Notes:
New steel extensions, fixed bearing plates, connection bolts, Fill ϕ 's and Shim ϕ 's are included in "Furnishing and Erecting Structural Steel".
The anchor bolt sizes and grades shown constitute a calculated seismic structural fuse. Substitution of higher diameter and/or grade bolts will not be allowed.
All structural steel for the fixed bearings, including plate materials and pintles shall be AASHTO M270 Grade 50W.
Anchor bolts at fixed bearings may be either cast in place or installed in holes drilled after the supported member is in place.
Drilled and set anchor bolts shall be installed according to Article 521.06 of the Standard Specifications.
See sheet 16 of 33 for table of steel extension heights.

BILL OF MATERIAL

Item	Unit	Total
Elastomeric Bearing Assembly Type 1	Each	6
Anchor Bolts, 1"	Each	24

FILE NAME = 100108-sht-bridge.dgn	USER NAME =	DESIGNED - C.C.S.	REVISED -
HAMPTON, LENZINI AND RENWICK, INC. 5085 STEVENSON DRIVE, SUITE 201 SPRINGFIELD, ILLINOIS 62765	PLOT SCALE =	CHECKED - S.M.S.	REVISED -
ILLINOIS PROFESSIONAL DESIGN FIRM 181 PF / SE CORP. 184 000859	PLOT DATE = 2/9/2012	DRAWN - D.A.B.	REVISED -
		CHECKED - S.W.M.	REVISED -

STATE OF ILLINOIS
VERMILION COUNTY HIGHWAY DEPARTMENT

BEARING DETAILS
STRUCTURE NO. 092-0085

SHEET NO. 17 OF 33 SHEETS

FAU	SECTION	COUNTY	TOTAL SHEETS	SHEET NO.
7043	09-00171-00-BR	VERMILION	66	50
			CONTRACT NO. 91449	
ILLINOIS FED. AID PROJECT				