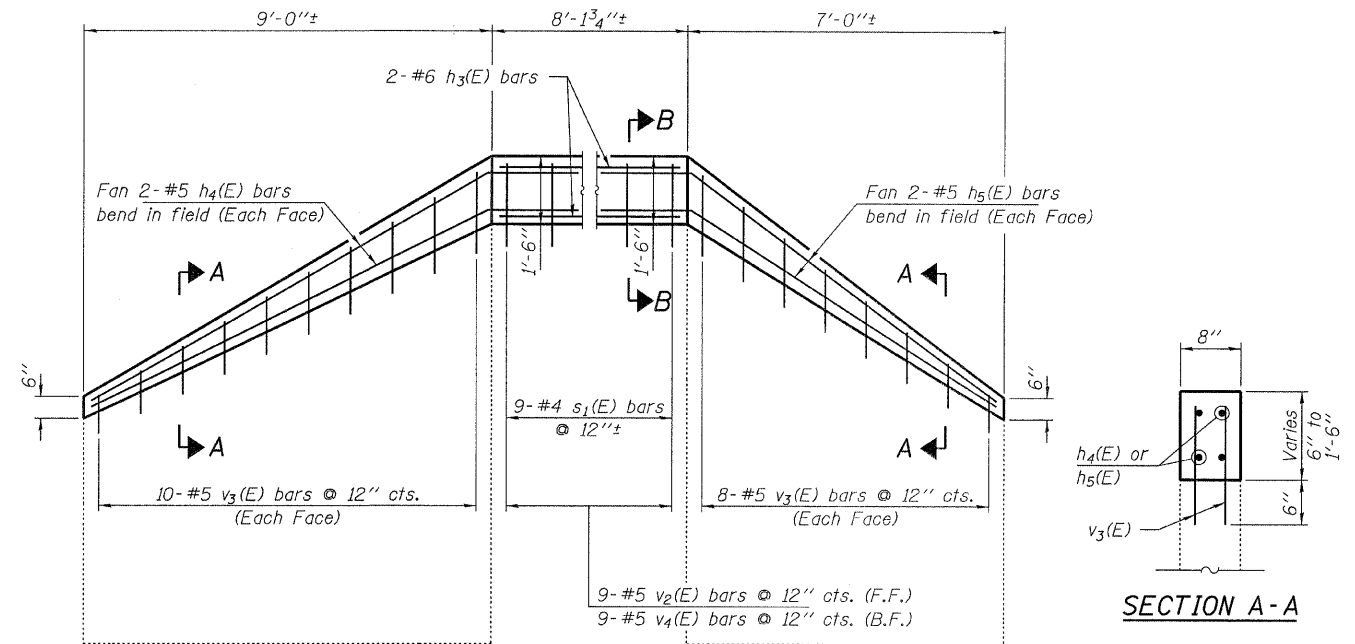


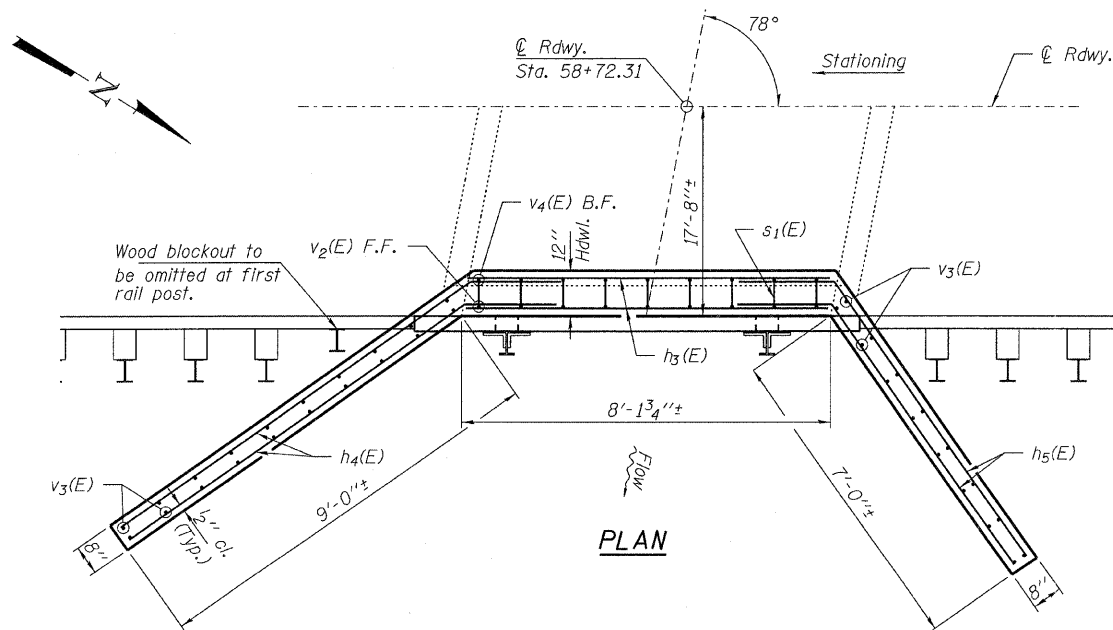
ELEVATION
Showing Rail Post Spaces
See sheet 4 of 4 for Railing Details.



SOUTH WINGWALL ELEVATION

NORTH WINGWALL ELEVATION

Note:
Reinforcement bars shall be drilled and grouted into the existing headwalls and wingwalls. A grout approved by the Department or epoxy grout in accordance with Section 584 of the Standard Specifications, shall be used. The method of grout application shall be approved by the Engineer. Drilling and grouting of reinforcement bars into existing concrete shall be included in the cost of reinforcement bars, epoxy coated.



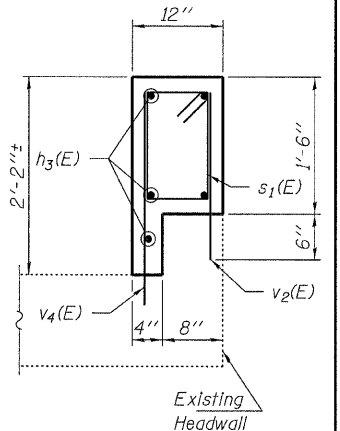
PLAN

FIELD CUTTING DIAGRAM - S. WING

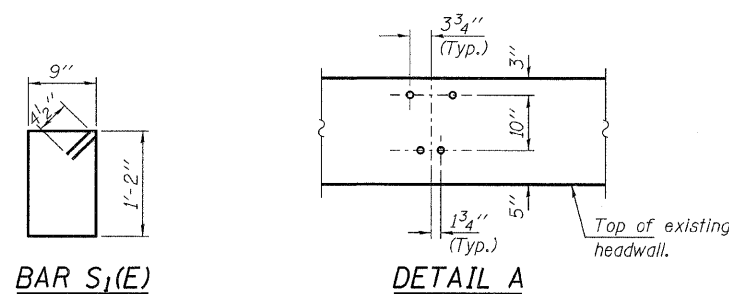
Order v3(E) full length. Cut as shown and use remainder in opposite face.

FIELD CUTTING DIAGRAM - N. WING

Order v3(E) full length. Cut as shown and use remainder in opposite face.



SECTION B-B



BAR S1(E)

DETAIL A

BILL OF MATERIAL - EAST END

BAR	NO.	SIZE	LENGTH	SHAPE
h3(E)	5	#6	8'-0"	—
h4(E)	4	#5	11'-0"	—
h5(E)	4	#5	9'-0"	—
s1(E)	9	#4	4'-7"	□
v2(E)	9	#5	1'-10"	—
v3(E)	18	#5	2'-8"	—
v4(E)	9	#5	2'-6"	—
Reinforcement Bars, Epoxy Coated			Pound	260
Concrete Box Culverts			Cu. Yd.	1.0

FILE NAME = 110330-sh-culvert-textensions.dwg
DESIGNER NAME =
HAMPSON, LENZINI AND RENWICK, INC.
3088 STEVENSON DRIVE, SUITE 201
SPRINGFIELD, ILLINOIS 62765
ILLINOIS PROFESSIONAL DESIGN FIRM
L3 / PE / SE CORP. 164.000959

DESIGNED - A.S.L.
CHECKED - S.W.M.
DRAWN - D.T.M.
CHECKED - S.W.M.
REVISIONS:
REVISED -
REVISED -
REVISED -
REVISED -

STATE OF ILLINOIS
EDGAR COUNTY HIGHWAY DEPARTMENT

CULVERT DETAILS - EAST END
CULVERT STA. 58 + 72.31

SHEET NO. 3 OF 4 SHEETS

C.H.	SECTION	COUNTY	TOTAL SHEETS	SHEET NO.
4	10-00101-00-SP	EDGAR	132	50
				CONTRACT NO. 91467
ILLINOIS FED. AID PROJECT HSIP-0680109				