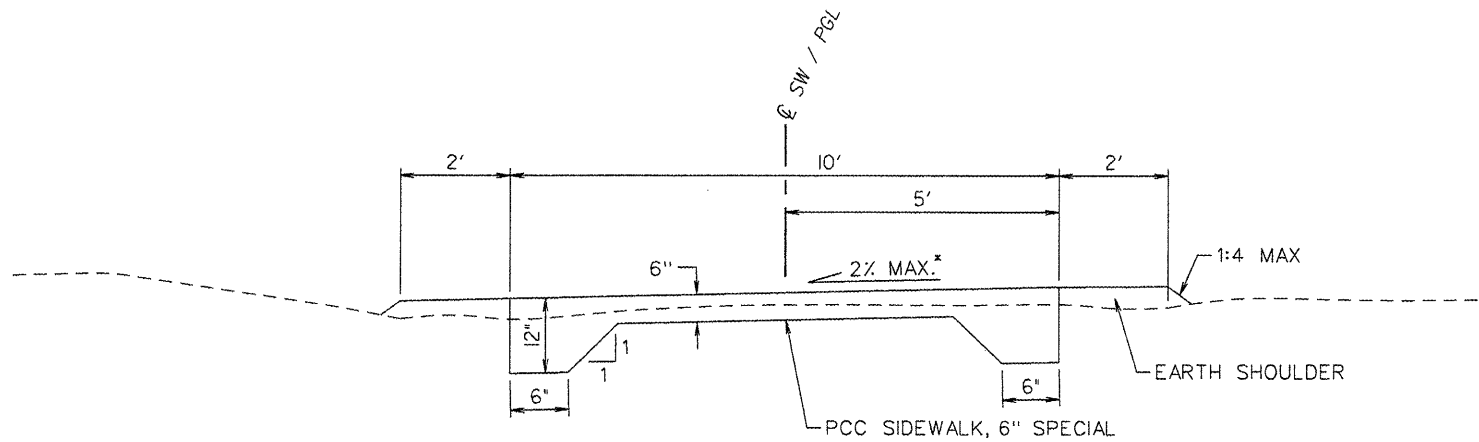


* SEE PLANS FOR DIRECTIONS OF CROSS-SLOPE
 ** SEE CROSS SECTIONS FOR DITCH LOCATION, SIDE, AND ELEVATION

PROPOSED TYPICAL CROSS SECTION - BARBER PARK (LEG 1)

STA. 314+80 TO STA. 315+40,
 STA. 317+30 TO 319+77
 NOT TO SCALE



* SEE PLANS FOR DIRECTIONS OF CROSS-SLOPE
 ** SEE CROSS SECTIONS FOR DITCH LOCATION, SIDE, AND ELEVATION

PROPOSED TYPICAL CROSS SECTION - BARBER PARK (LEG 1)

STA. 315+40 TO STA. 317+30
 NOT TO SCALE

DESCRIPTION	
DATE	
REVISION	
PROJECT TITLE	VILLAGE OF MAHOMET & CC FOREST PRESERVE
	LAKE OF THE WOODS ROAD
	MULTI-PURPOSE PATHWAY
SHEET TITLE	TYPICAL SECTIONS - BARBER PARK



Sodemann and Associates, Inc.
 300 T. CORP. BLVD. SUITE 200
 CHARLESTON, ILLINOIS 61824-0521
 TEL 217 352-7688 FAX 217 352-7922
 ENGINEERING / ANALYSIS / MANAGEMENT

RES. CMO	
CHK. MSD	
CHK. EBH	
APP. SRS	
PROJECT NO.	1009
DATE	12-12-2011
SHEET	9
OF 6 SHEETS	