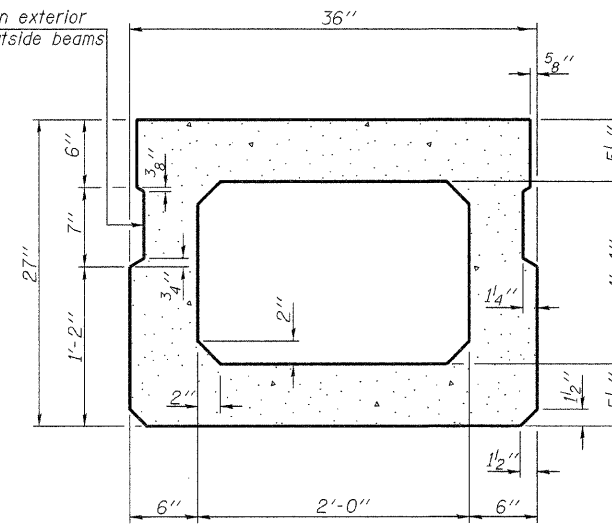
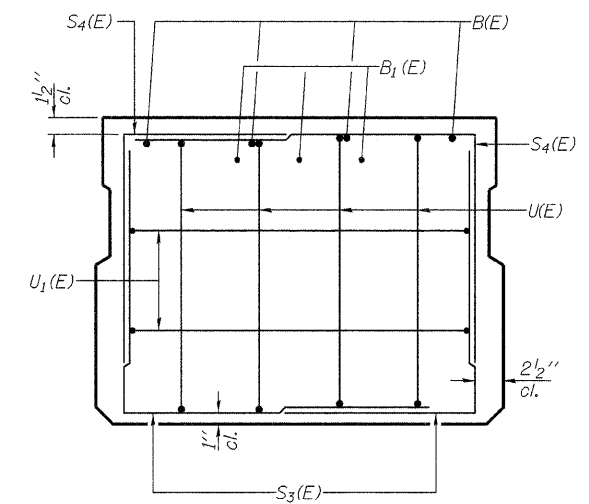


SECTION A-A

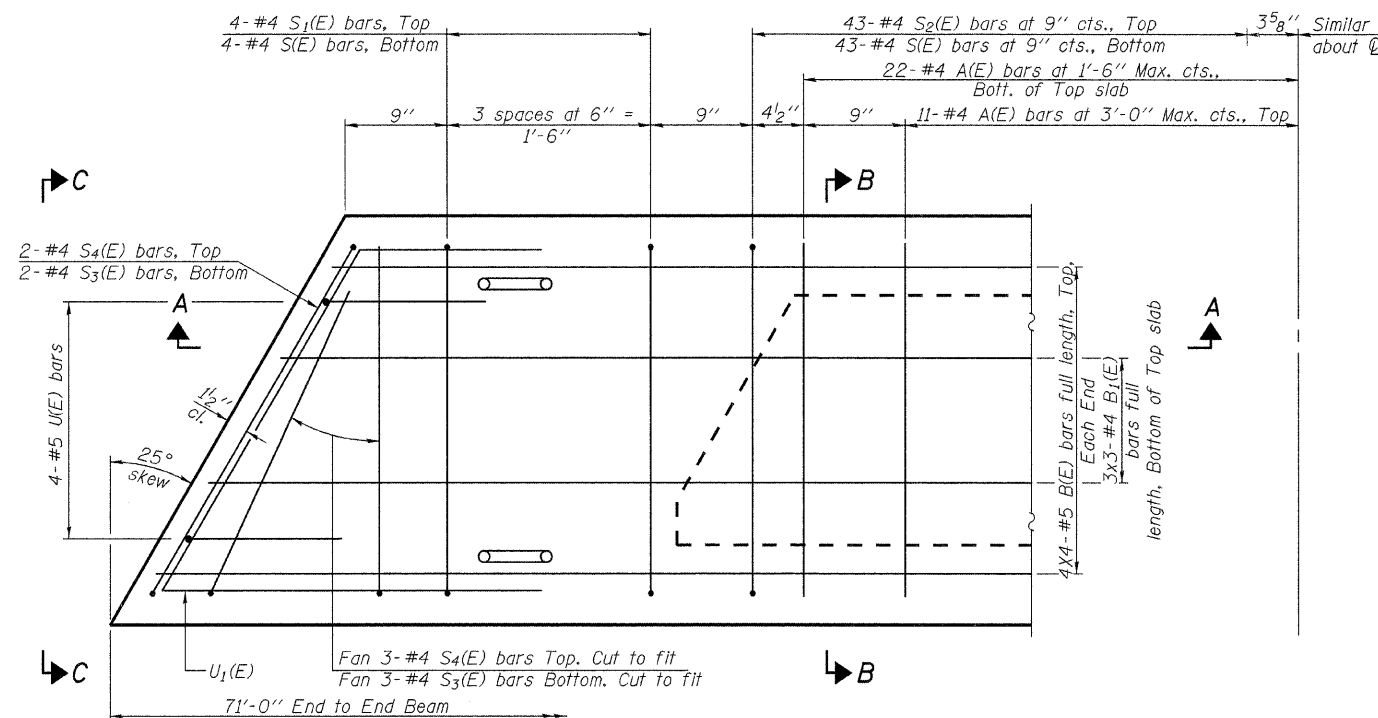
Omit key on exterior face of outside beams



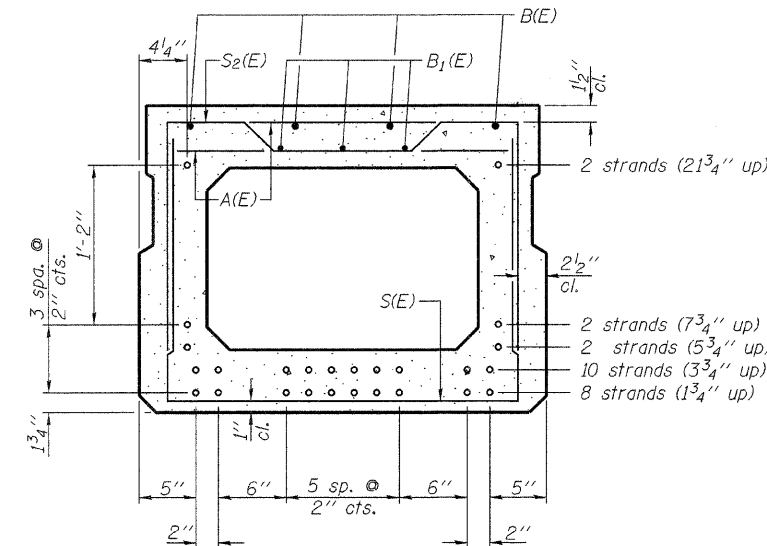
SECTION B-B
(Showing dimensions)



VIEW C-C



PLAN VIEW



Use 24 - 1/2" φ strands at the locations shown.

SECTION B-B

(Showing reinforcement and permissible strand locations)
Note: Place the number of strands specified in each row symmetrically about the centerline of beam in the permissible strand locations shown.

BAR LIST
ONE BEAM ONLY - SPANS 1 & 2
(For information only)

Bar	No.	Size	Length	Shape
A(E)	64	#4	2'-7"	—
B(E)	16	#5	19'-7"	—
B1(E)	9	#4	25'-0"	—
S(E)	94	#4	6'-5"	┌
S1(E)	8	#4	6'-3"	┌
S2(E)	86	#4	6'-6"	┌
S3(E)	10	#4	4'-3"	┌
S4(E)	10	#4	4'-2"	┌
U(E)	8	#5	4'-6"	┌
U1(E)	4	#4	6'-5"	┌

Note: See sheet 9 for additional details and Bill of Material.
Reinforcement bars designated (E) shall be epoxy coated.

Notes: Spacing of S(E) and S2(E) bars may be adjusted up to 4" in the immediate area of the transverse tie diaphragms to miss the block outs for the transverse ties.

Bars indicated thus, 3x2-#4 bars etc., indicates 3 lines of bars with 2 lengths per line.

MINIMUM BAR LAP

#4 bar = 2'-0"
#5 bar = 2'-6"

PD-2736-L

7-1-10

FILE NAME = 11-540.SUPER.DGN

USER NAME = S.A.P.

DESIGNED - A.L.S.

REVISED -

CHECKED - A.R.K. & J.A.M.

REVISED -

PLOT SCALE = XXX

DRAWN - S.A.P.

REVISED -

PLOT DATE = 01/06/12

CHECKED - A.R.K.

REVISED -



FEHR-GRAHAM & ASSOCIATES, LLC
ENGINEERING AND SCIENCE CONSULTANTS
FREEPORT, IL ROCKFORD, IL ROCHELLE, IL MONROE, WI SPRINGFIELD, IL

27" x 36" PPC DECK BEAM - SPANS 1 & 2
S.N. 021-4546

TWP. RTE.	SECTION	COUNTY	TOTAL SHEETS	SHEET NO.
151	07-02122-01-BR	DOUGLAS	23	8
ILLINOIS			CONTRACT NO. 91473	
			BOURBON ROAD DISTRICT	