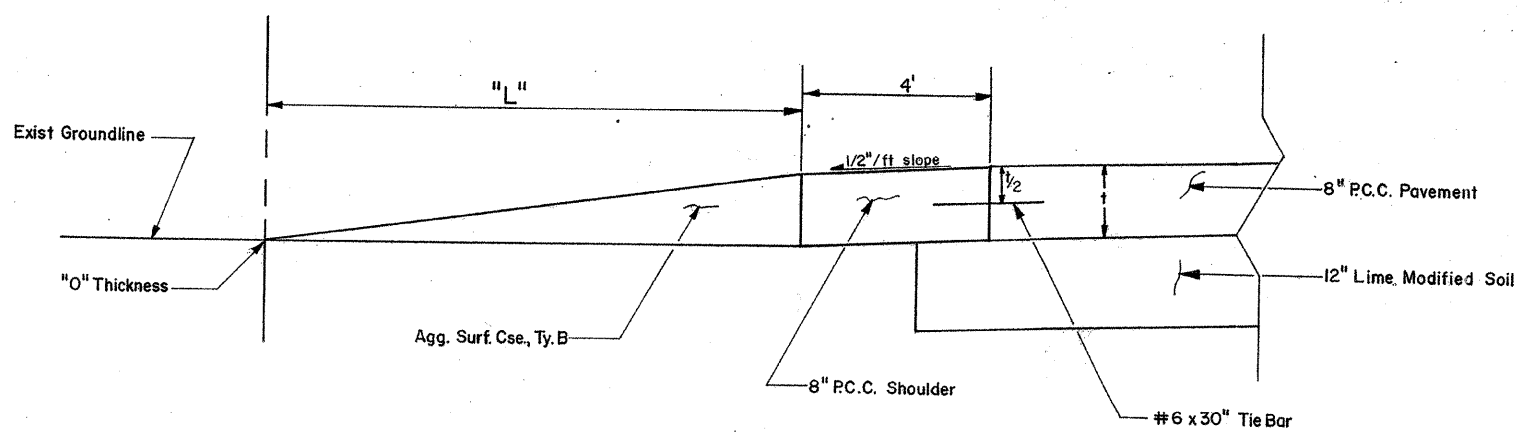


FIELD ENTRANCE DETAIL

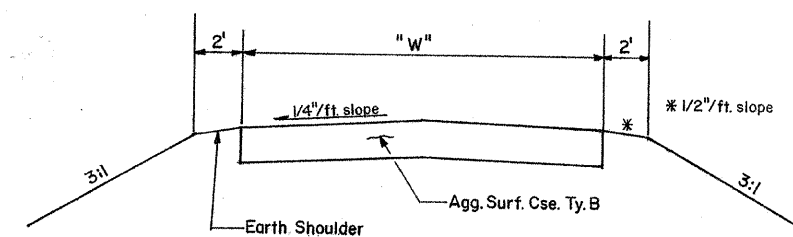
Note: Contraction Joints w/ Dowels (Sawed) in P.C.C. Pavement shall be continued through P.C.C. Shoulder as directed by the Engineer in the field.

FIELD ENTRANCE SCHEDULE

STA	O/S	W	L	PCC SHOULDER 8"	AGGREGATE SURFACE CSE TY B
15+36	LT	20	41'	11 YD ²	22 TONS
29+00	LT	20	29'	11 YD ²	20 TONS
29+00	RT	20	24'	11 YD ²	18 TONS
34+70	RT	20	34'	11 YD ²	22 TONS
47+88	RT	24	39'	12 YD ²	24 TONS
48+25	LT	20	46'	11 YD ²	24 TONS
48+78	LT	20	46'	11 YD ²	24 TONS
53+03	RT	20	41'	11 YD ²	22 TONS
54+90	LT	20	41'	11 YD ²	22 TONS
55+45	LT	20	41'	11 YD ²	22 TONS
79+50	LT	24	56'	13 YD ²	36 TONS
88+50	LT	20	26'	11 YD ²	15 TONS
TOTAL				135 YD²	253 TONS



SECTION A-A



SECTION B-B

FIELD ENTRANCE DETAILS

SCALE:	APPROVED BY:	DRAWN BY:
DATE:	REVISION:	
		DRAWING NUMBER: