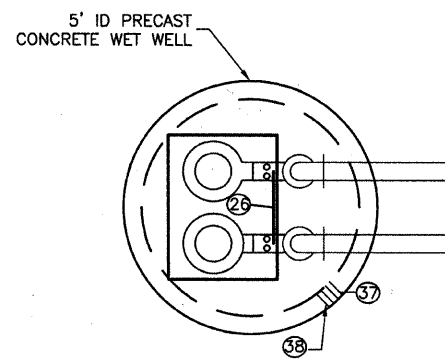
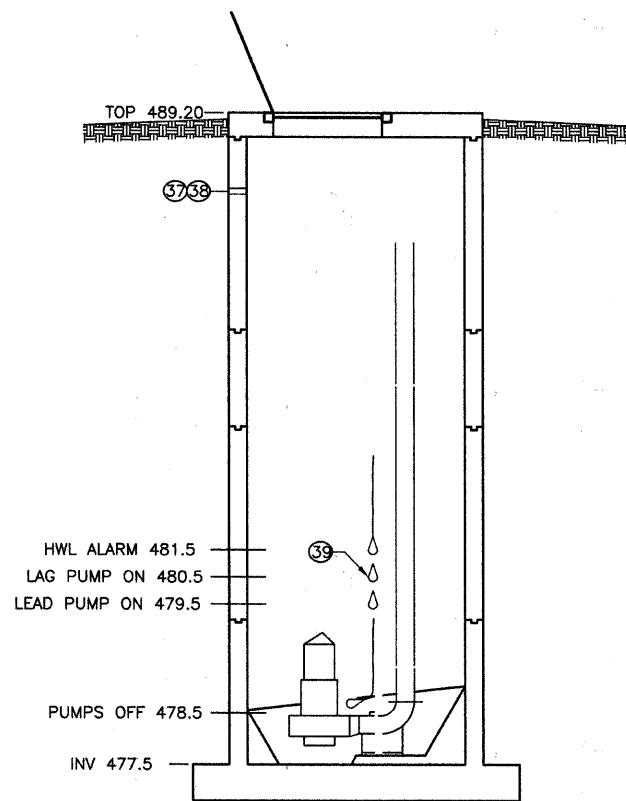


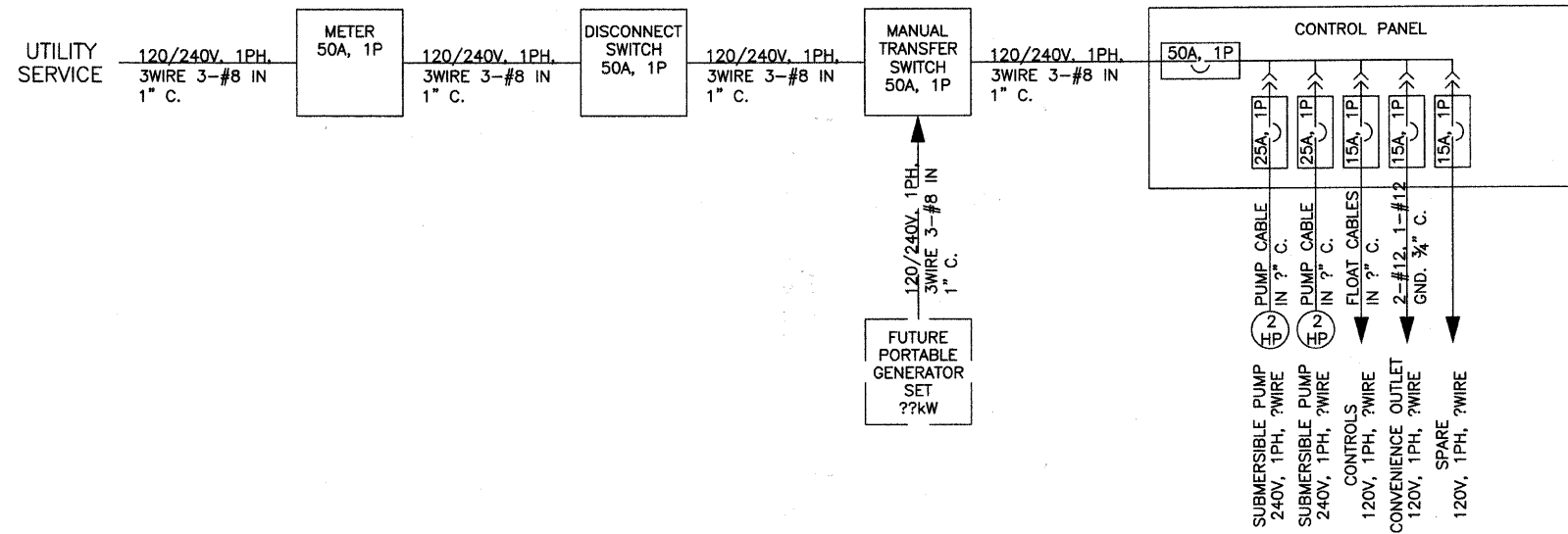
ROUTE	SECTION	CITY	TOTAL SHEETS	SHEET NO.
F.A.U. 8526	10-00054-00-PV	FLORA	34	17B
CONTRACT NO, 95672		ILLINOIS	PROJECT M-5023(011)	



PLAN  
NTS



ELEVATION  
NTS



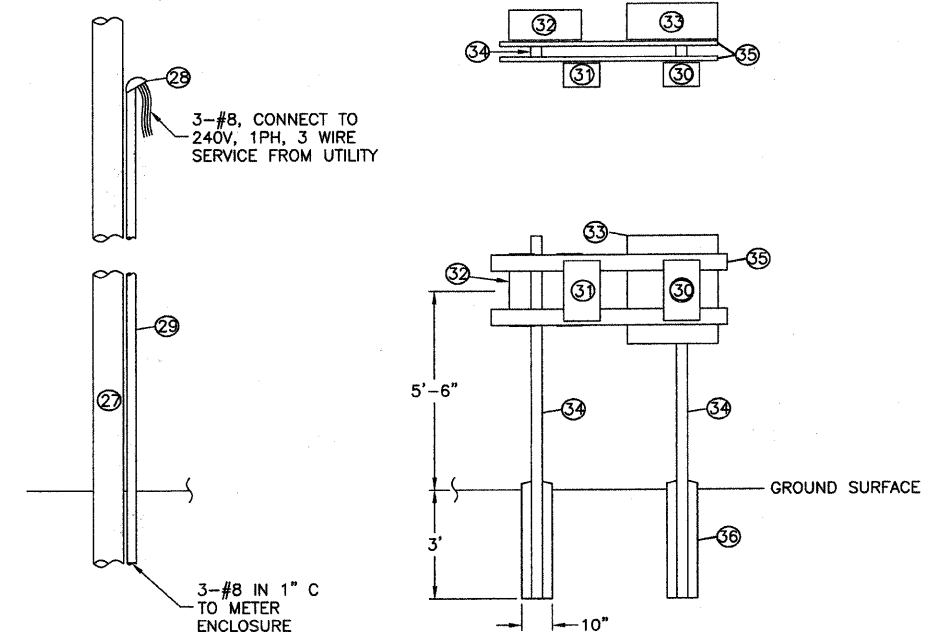
ONE LINE DIAGRAM  
NTS

LEGEND:

- 26 CABLE HOLDER
- 27 EXISTING SERVICE POLE OR PROPOSED CL 7 MIN TREATED SERVICE POLE, 25' LONG w/ 5' BURY
- 28 WEATHERHEAD
- 29 1" CONDUIT
- 30 METER ENCLOSURE
- 31 DISCONNECT SWITCH
- 32 MANUAL TRANSFER SWITCH
- 33 CONTROL PANEL
- 34 4"x4" TREATED POSTS SET IN CONCRETE, 2
- 35 2"x6" TREATED BOARDS, 2 MIN
- 36 10" DIA. CONCRETE ENCASEMENT
- 37 SLEEVE FOR PUMP CABLES IN CONDUIT
- 39 FLOAT CONTROLS

NOTES:

- 1 ALL ELECTRICAL WORK SHALL COMPLY WITH THE NEC
- 2 PROVIDE CONDUIT/GAS SEALS WHERE ELECTRICAL CABLES ENTER CONDUIT AT STRUCTURE CEILING AND/OR WALL PENETRATIONS.
- 3 ALL ELECTRICAL CONDUCTORS OUTSIDE THE WET WELL SHALL BE RAN IN CONDUIT.
- 4 PUMPS SHALL BE CONTROLLED BY FLOATS SUSPENDED FROM CABLE HOLDER.
- 5 PUMP MFR PROVIDE CONDUIT DIA'S FOR PUMP CABLES AND FLOAT CABLES.



ELECTRICAL SERVICE DETAIL  
NTS

SANITARY PUMP STATION ELECTRICAL DETAILS