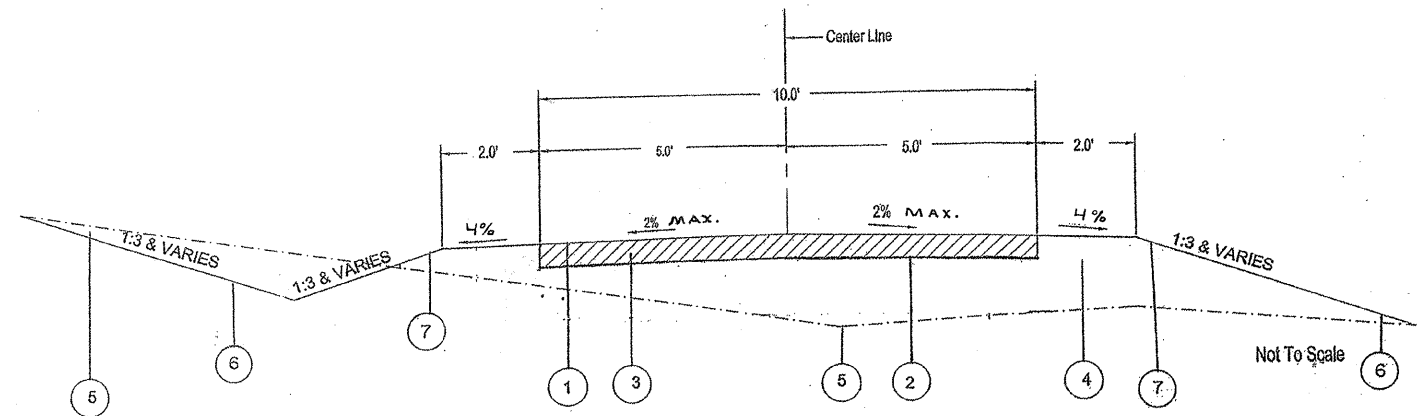


**EXISTING
 TYPICAL CROSS SECTION**



TYPICAL CUT SECTION

TYPICAL FILL SECTION

TYPICAL PROPOSED CROSS SECTION

LEGEND

- 1. BITUMINOUS SEAL COAT (A-2)
 - A. BITUMINOUS MATERIALS (PRIME COAT; MC 30)
 - B. 2 LAYERS OF BITUMINOUS SEAL COAT (A-2) (HFE-150 AND CA-16 CRUSHED STONE)
- 2. PROPOSED SUBGRADE
- 3. AGGREGATE BASE COURSE 6" TYPE A OR B (**)
- 4. EARTH EXCAVATION & EMBANKMENT
- 5. EXISTING GROUND PROFILE
- 6. PROPOSED GROUND PROFILE
- 7. SEEDING CLASS 2 SEED MIX WITH MULCH METHOD 2

(**) SEE SPECIAL PROVISIONS

TYPICAL CROSS SECTIONS			
SCALE: N/A	APPROVED BY:	DRAWN BY: CRS	REVISION: KPP
GENERAL DACEY TRAIL			
			DRAWING NUMBER