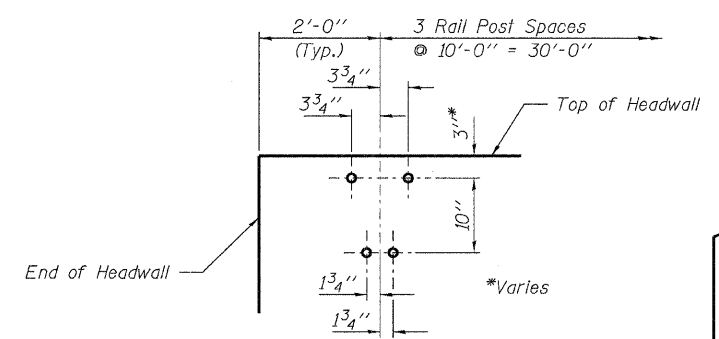
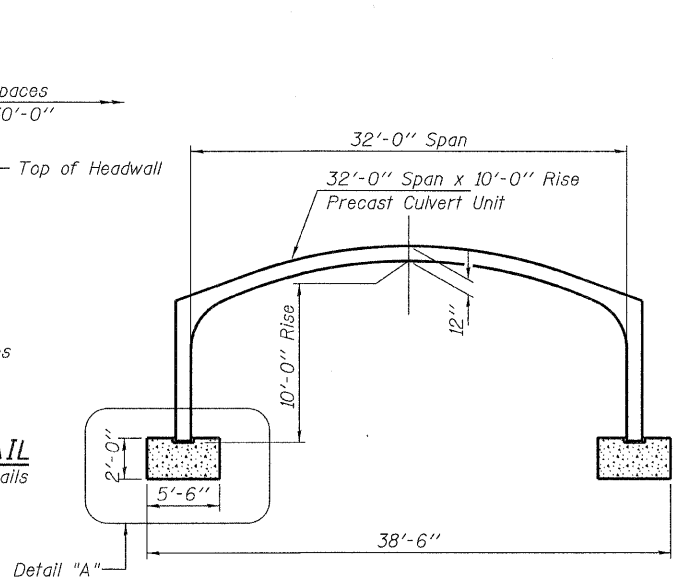


**ELEVATION**

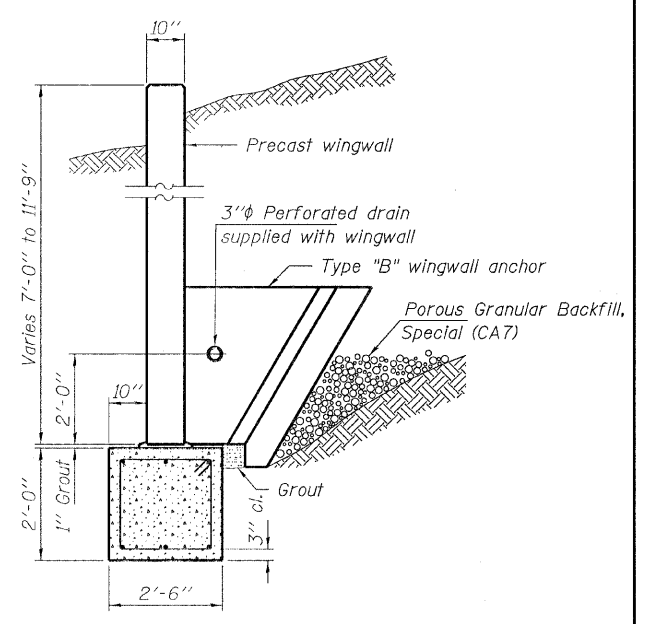


**RAIL POST ANCHOR DETAIL**  
See sheet 3 of 5 for Post Insert details

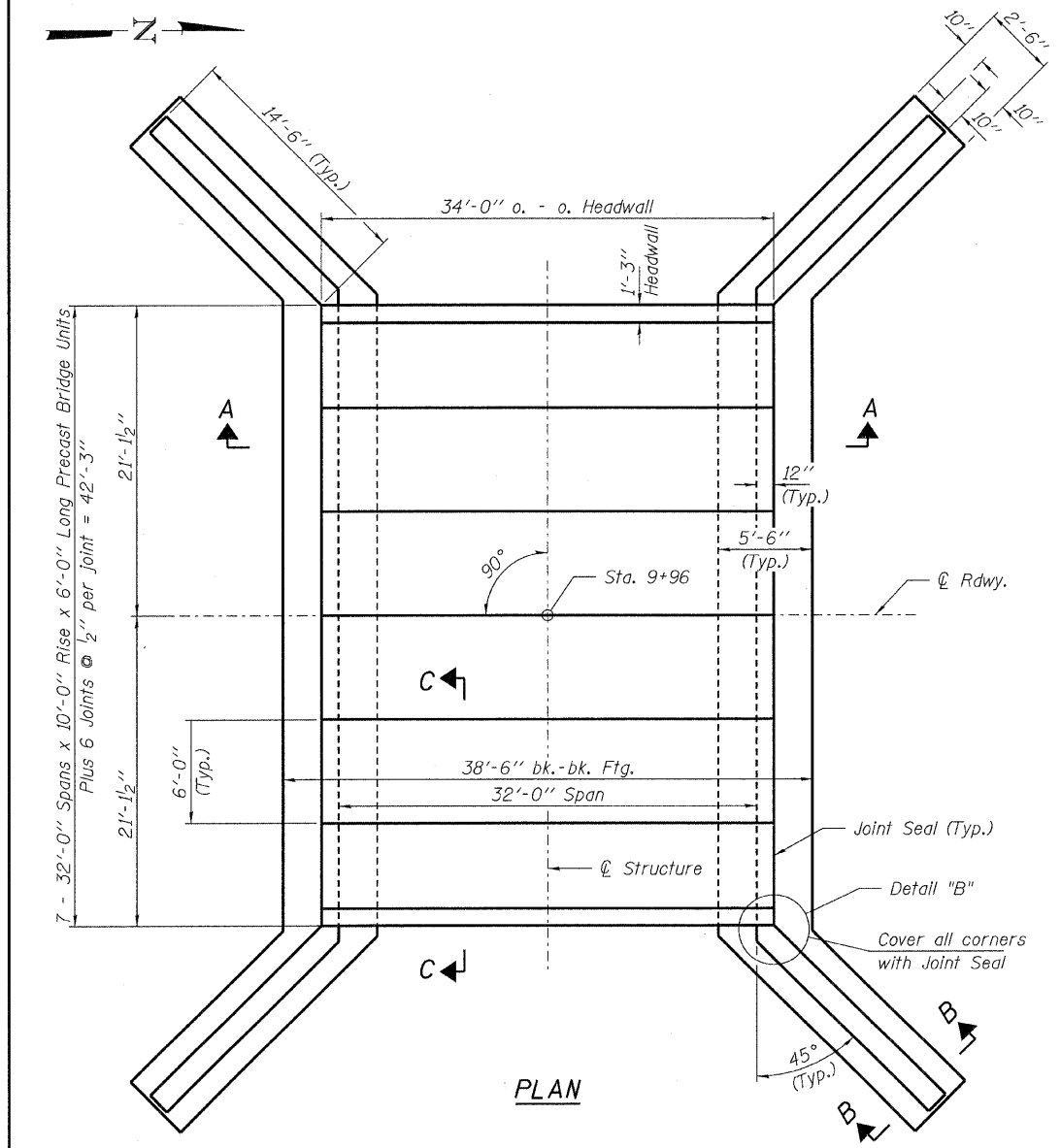
Insert to be included by Headwall Fabricator.



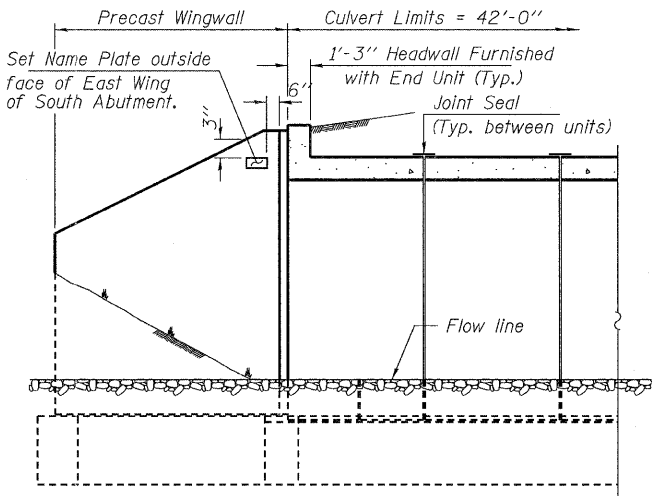
**SECTION A-A**



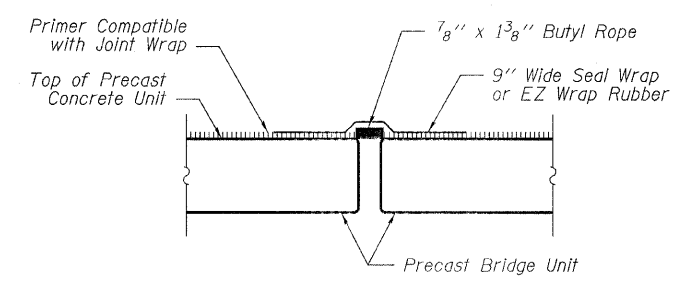
**SECTION B-B**



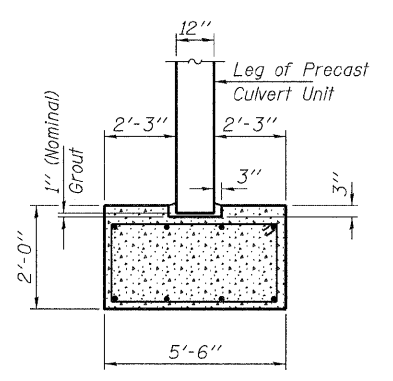
**PLAN**



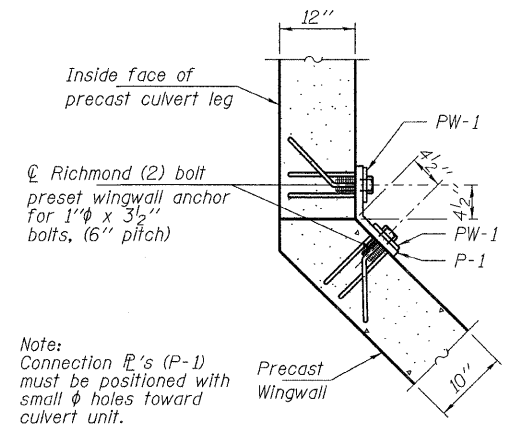
**SECTION C-C**



**JOINT SEAL DETAIL**



**DETAIL "A"**



**DETAIL "B"**

Note: Connection P's (P-1) must be positioned with small phi holes toward culvert unit.

**NOTES**

**DESIGN DATA**

Design Loading: HL 93  
Design Method: Load Resistance Factor Design per AASHTO Specification.

All footings shall bear on solid undisturbed soil having a bearing capacity of not less than 3,8 ton/sf.

If bearing is not obtained at indicated plan elevations, material shall be removed in accordance with 502.07 of the Standard Specifications.

A qualified geotechnical inspector will determine if the footing insitu unconfined compressive strength meets or exceeds the design allowable soil bearing. Any remedial treatment must be approved by the Field Inspector Resident Engineer with concurrence of the Local Agency Engineer. Cost included in that of Three Sided Precast Concrete Structures.

**MATERIALS**

Concrete for Footings and Wingwalls shall have a minimum compressive strength of 3,500 psi.

Reinforcing steel for Footings and Wingwalls shall conform to the requirements of ASTM A 706 Gr 60 (IL Modified). See Special Provisions.

**BILL OF MATERIAL**

ITEM	UNIT	QUANTITY
Three Sided Precast Concrete Structure 32'x10'	Foot	42

FILE NAME = 070342-shr-bridge.dgn	USER NAME =	DESIGNED - D.W.T.	REVISED -
HAMPTON, LENZINI AND RENWICK, INC.		CHECKED - S.W.M.	REVISED -
308 STEVENSON DRIVE, SUITE 201 SPRINGFIELD, ILLINOIS 62702	PLOT SCALE =	DRAWN - D.A.B.	REVISED -
ILLINOIS PROFESSIONAL DESIGN FIRM L.S. / P.E. / S.E. CORP. 184.000999	PLOT DATE = 2/9/2012	CHECKED - S.W.M.	REVISED -

**STATE OF ILLINOIS**  
**MOULTRIE COUNTY HIGHWAY DEPARTMENT**

**SUPERSTRUCTURE**  
**STRUCTURE NO. 070-3032**  
SHEET NO. 2 OF 5 SHEETS

F.A.S.	SECTION	COUNTY	TOTAL SHEETS	SHEET NO.
554	07-00066-00-BR	MOULTRIE	14	11
CONTRACT NO. 95681				
ILLINOIS FED. AID PROJECT BR5-0554(325)				