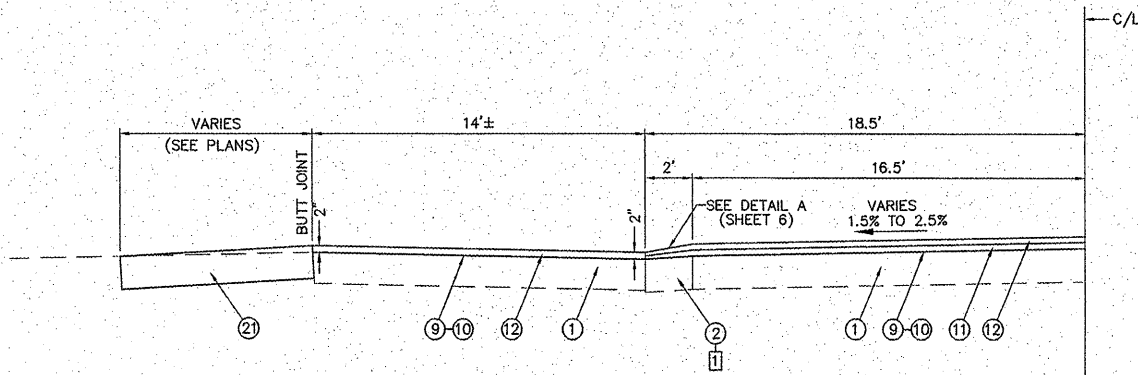
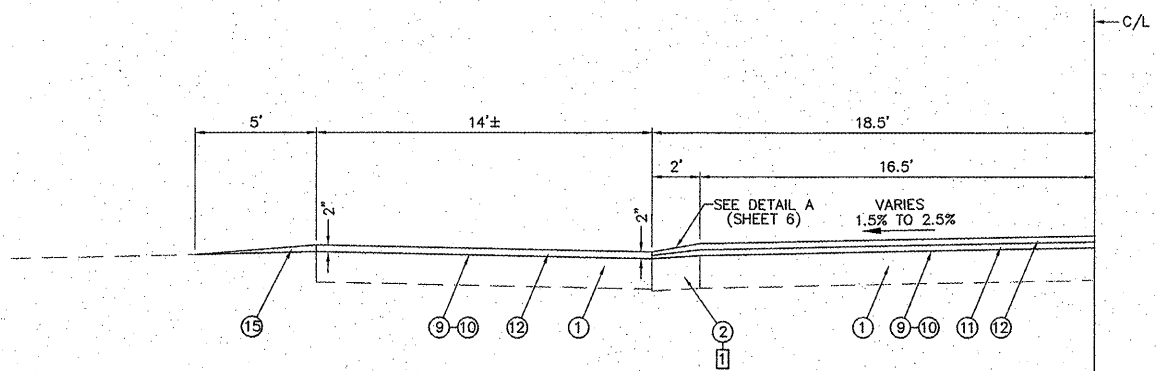


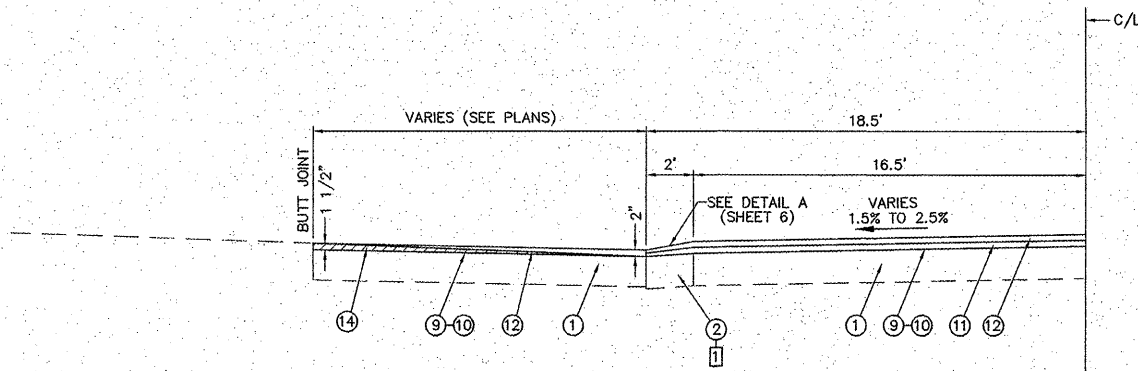
**PROPOSED TYPICAL SECTION
AT SIDE ROAD
GEORGE ST. (LEFT)**



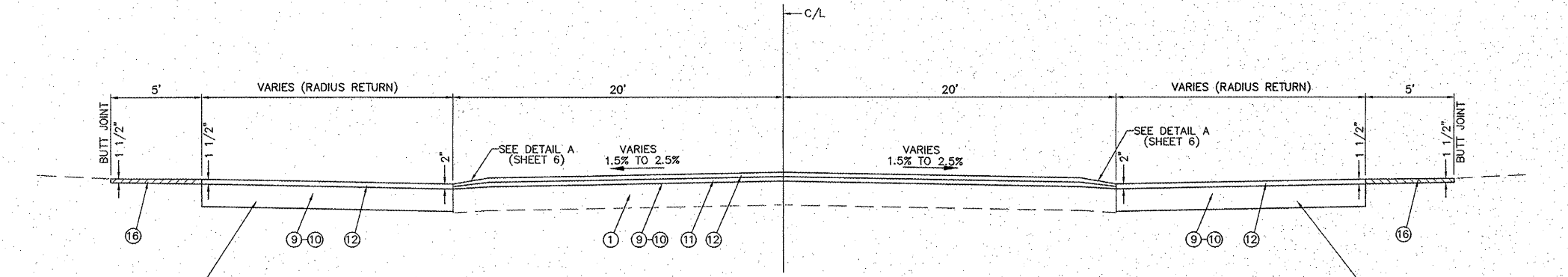
**PROPOSED TYPICAL SECTION
AT SIDE ROAD
ALLEY (LEFT)**



**PROPOSED TYPICAL SECTION
AT SIDE ROAD
JOB ST. (LEFT)**



**PROPOSED TYPICAL SECTION
AT SIDE ROAD
CHURCH ST. (LEFT)
CHURCH ST. (RIGHT)**



**PROPOSED TYPICAL SECTION
AT SIDE ROAD
PENCE ST. (LEFT & RIGHT)**

TYPICAL SECTION NOTES

- 1 SEE PLANS FOR LOCATIONS TO BE REMOVED AND REPLACED.
- 2 TIE BARS THAT ARE PLACED IN CONCRETE SHALL BE 30" LONG AT 30" CENTERS. TIE BARS THAT ARE DRILLED AND GROUTED SHALL BE 24" LONG AT 24" CENTERS.

PAVING LEGEND

- 1 EXISTING P.C.C. PAVEMENT, 7 1/2"
- 2 EXISTING COMBINATION CONCRETE CURB AND GUTTER
- 3 EXISTING CONCRETE CURB (DOWELED)
- 4 EXISTING HOT-MIX ASPHALT SURFACE, 1 3/4"
- 5 EXISTING P.C.C. SIDEWALK, 4"
- 6 EXISTING P.C.C. PAVEMENT WIDENING, 9"
- 7 EXISTING P.C.C. PAVEMENT WIDENING, 8"
- 8 PROPOSED HMA SURFACE REMOVAL, 1-3/4"
- 9 PROPOSED BITUMINOUS MATERIALS (PRIME COAT)
- 10 PROPOSED AGGREGATE (PRIME COAT)
- 11 PROPOSED LEVELING BINDER (MACHINE METHOD)
- 12 PROPOSED HMA SURFACE COURSE
- 13 PROPOSED P.C.C. SIDEWALK, 4"
- 14 PROPOSED P.C.C. SURFACE REMOVAL - BUTT JOINT
- 15 PROPOSED AGGREGATE SURFACE COURSE, TYPE B (WEDGE)
- 16 PROPOSED HMA SURFACE REMOVAL - BUTT JOINT
- 17 PROPOSED H-E-S P.C.C. BASE COURSE WIDENING 8"
- 18 PROPOSED COMBINATION CONCRETE CURB AND GUTTER, TYPE B (SPECIAL)
- 19 PROPOSED SUBBASE GRANULAR MATERIAL, TYPE A 4"
- 20 PROPOSED 1/2" WIDE EXPANSION JOINT
- 21 PROPOSED INCIDENTAL HMA SURFACING (8")
- 22 PROPOSED CONCRETE CURB, TYPE B
- 23 No. 6 TIE BARS SEE NOTE 2

REVISIONS

NO.	DESCRIPTION

SMS
ENGINEERS

Sheppard, Morgan & Schwaab, Inc.
CONSULTING ENGINEERS AND LAND SURVEYORS

215 Walnut Street, P.O. Box E, Alton, IL 62002 618-662-9785 E-mail: mms@smsengineers.com
40 Central Industrial Drive, Danaburg, NY 14800 618-677-4700 E-mail: mms@smsengineers.com
DESIGN FIRM # 181-00592

VILLAGE OF EAST ALTON, ILLINOIS
SECTION 08-00045-00-PV
MAIN ST. - PHASE 2
PROPOSED TYPICAL SECTIONS AT SIDE ROADS

DWG. NO. EA MAIN ST. PHS 2 SIDEROADS.DWG
REF. BY: PG.
JOB NO. 227832.1
DSN. BY: DEG
DWN. BY: CAD
CHK. BY: DEG
DATE: DEC, 2011

SCALE: NO SCALE

SHEET 7 OF 17