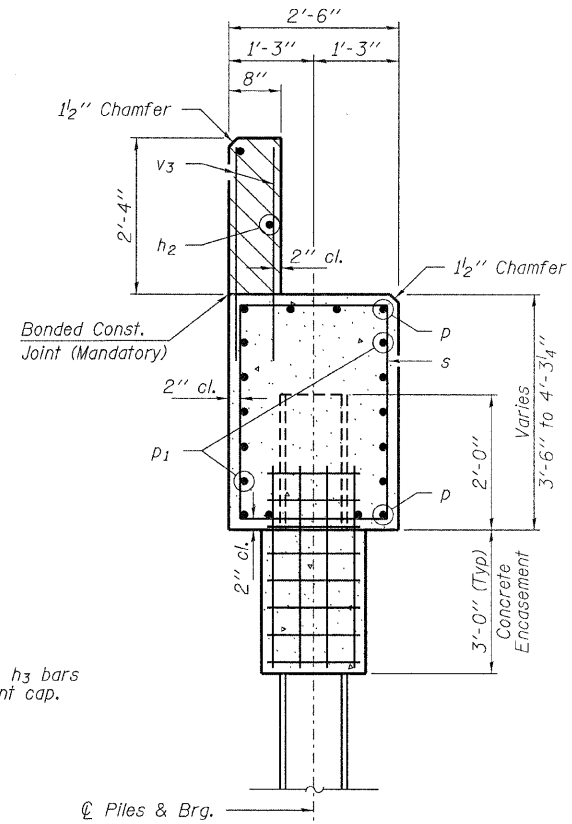
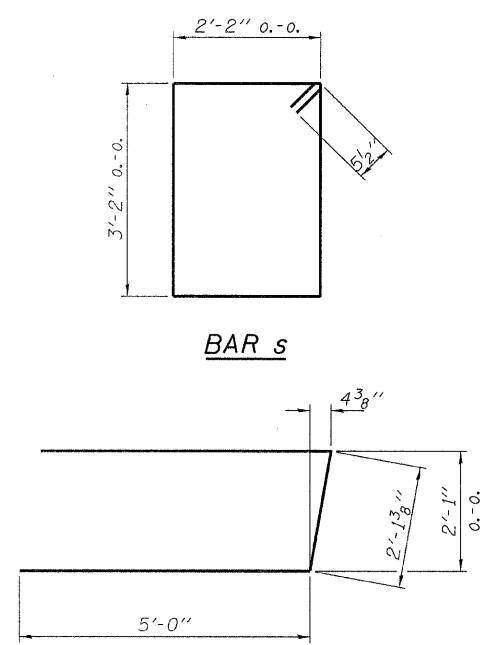


PLAN



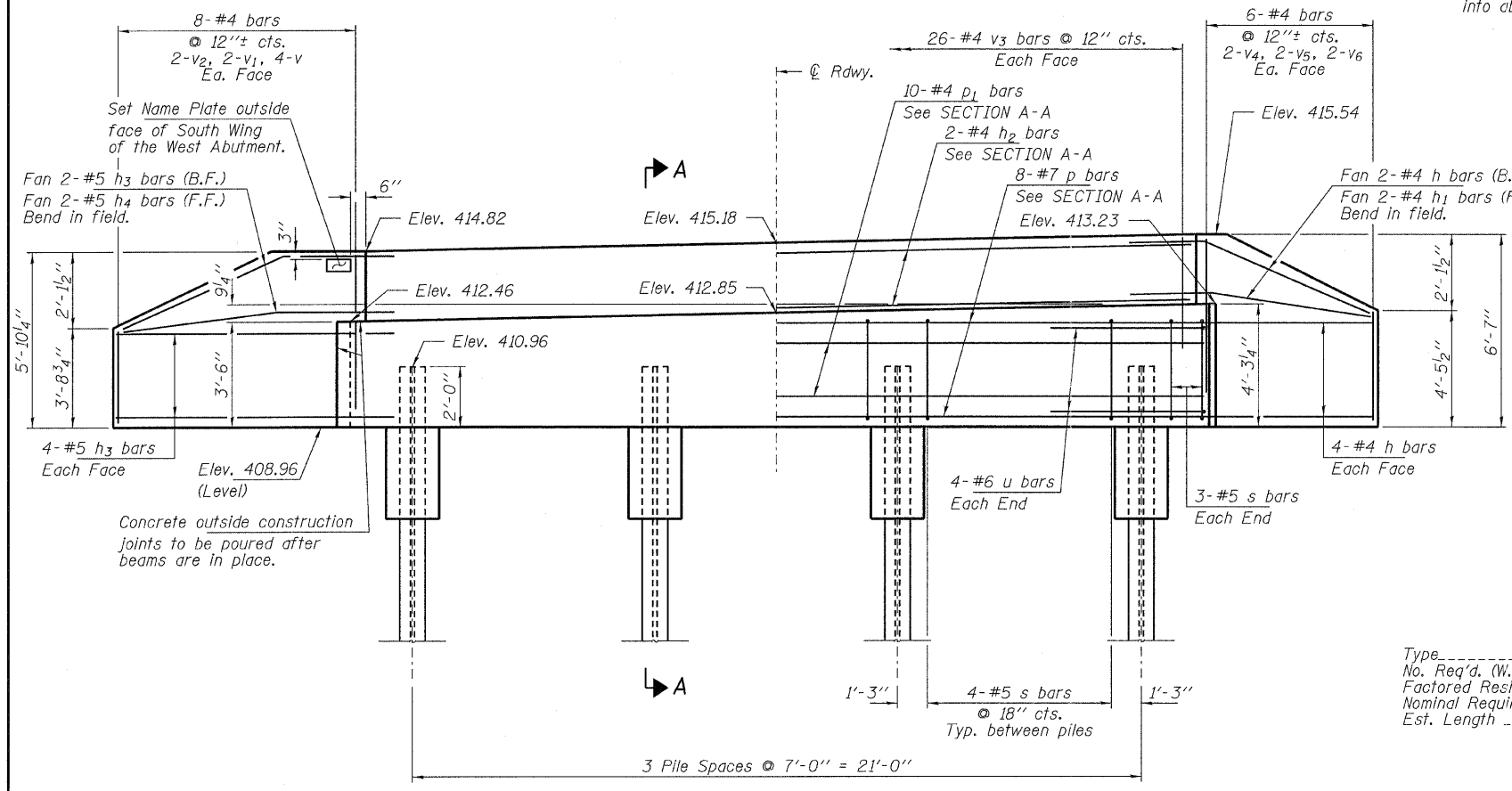
SECTION A-A

Hatched area to be poured after beams are in place.



BAR s

BAR u



ELEVATION
(Looking West)

Note: Extend h & h3 bars into abutment cap.

PILE DATA

Type ----- Steel HP10x42
 No. Req'd. (W. Abut.) ----- 4
 Factored Resistance Available (Rf) ----- 184 Kips/Pile
 Nominal Required Bearing (Rn) ----- 335 Kips/Pile
 Est. Length ----- 55 Ft/Pile

BILL OF MATERIAL - W. ABUT.

BAR	NO.	SIZE	LENGTH	SHAPE
h	10	#4	6'-6"	—
h1	2	#4	5'-0"	—
h2	2	#4	25'-7"	—
h3	10	#5	8'-6"	—
h4	2	#5	7'-0"	—
p	8	#7	25'-7"	—
p1	10	#4	25'-7"	—
s	18	#5	11'-7"	□
u	8	#6	12'-2"	U
v	8	#4	5'-5"	—
v1	4	#4	4'-5"	—
v2	4	#4	3'-5"	—
v3	52	#4	3'-2"	—
v4	4	#4	6'-2"	—
v5	4	#4	5'-2"	—
v6	4	#4	4'-2"	—
Concrete Structures			Cu. Yd.	13.1
Concrete Encasement			Cu. Yd.	1.4
Reinforcement Bars			Pound	1,340
Steel Piles HP10x42			Foot	220
Name Plates			Each	1

FILE NAME = 11071-sh-t-brj-dge.dgn
 USER NAME =
 DESIGNED - A.S.L.
 CHECKED - S.W.M.
 DRAWN - D.A.B.
 CHECKED - S.W.M.
 PLOT SCALE =
 PLOT DATE = 2/10/2012

DESIGNED - A.S.L.
 CHECKED - S.W.M.
 DRAWN - D.A.B.
 CHECKED - S.W.M.
 REVISIONS:
 REVISIONS:
 REVISIONS:
 REVISIONS:

STATE OF ILLINOIS
WHITE COUNTY HIGHWAY DEPARTMENT

WEST ABUTMENT
STRUCTURE NO. 097-3275
 SHEET NO. 7 OF 10 SHEETS

T.R.	SECTION	COUNTY	TOTAL SHEETS	SHEET NO.
251	09-08140-00-BR	WHITE	14	10
INDIAN CREEK ROAD DISTRICT			CONTRACT NO. 99474	
ILLINOIS FED. AID PROJECT				