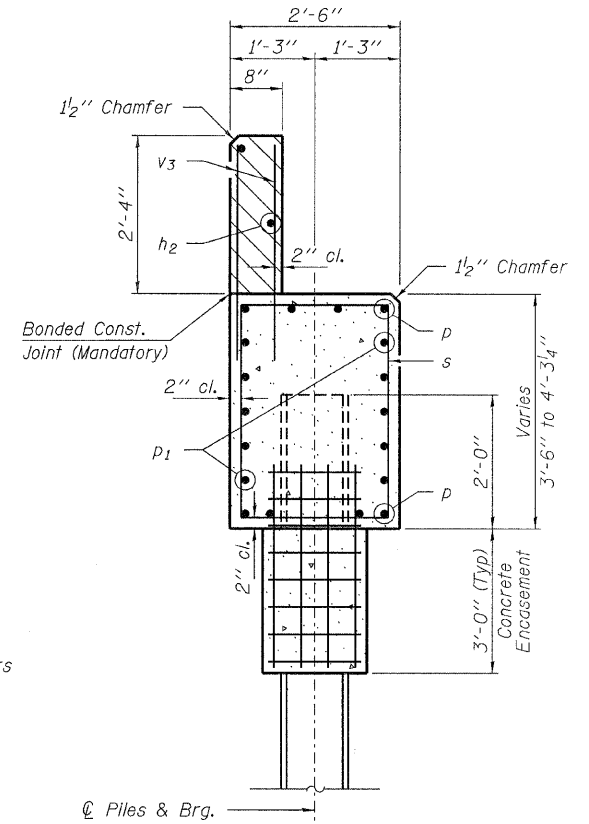
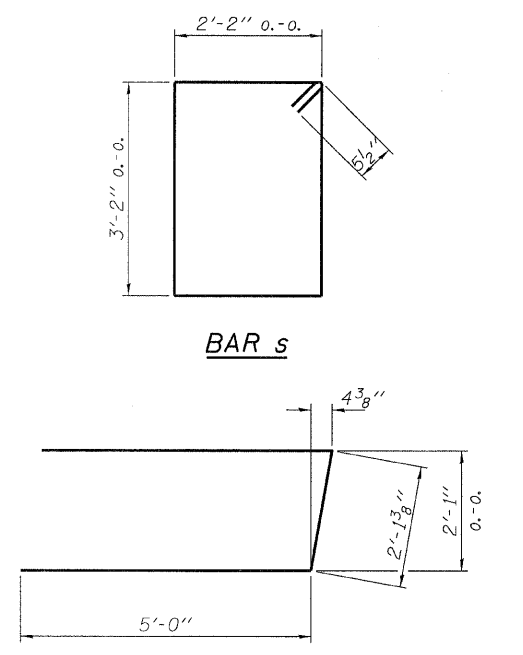


PLAN



SECTION A-A

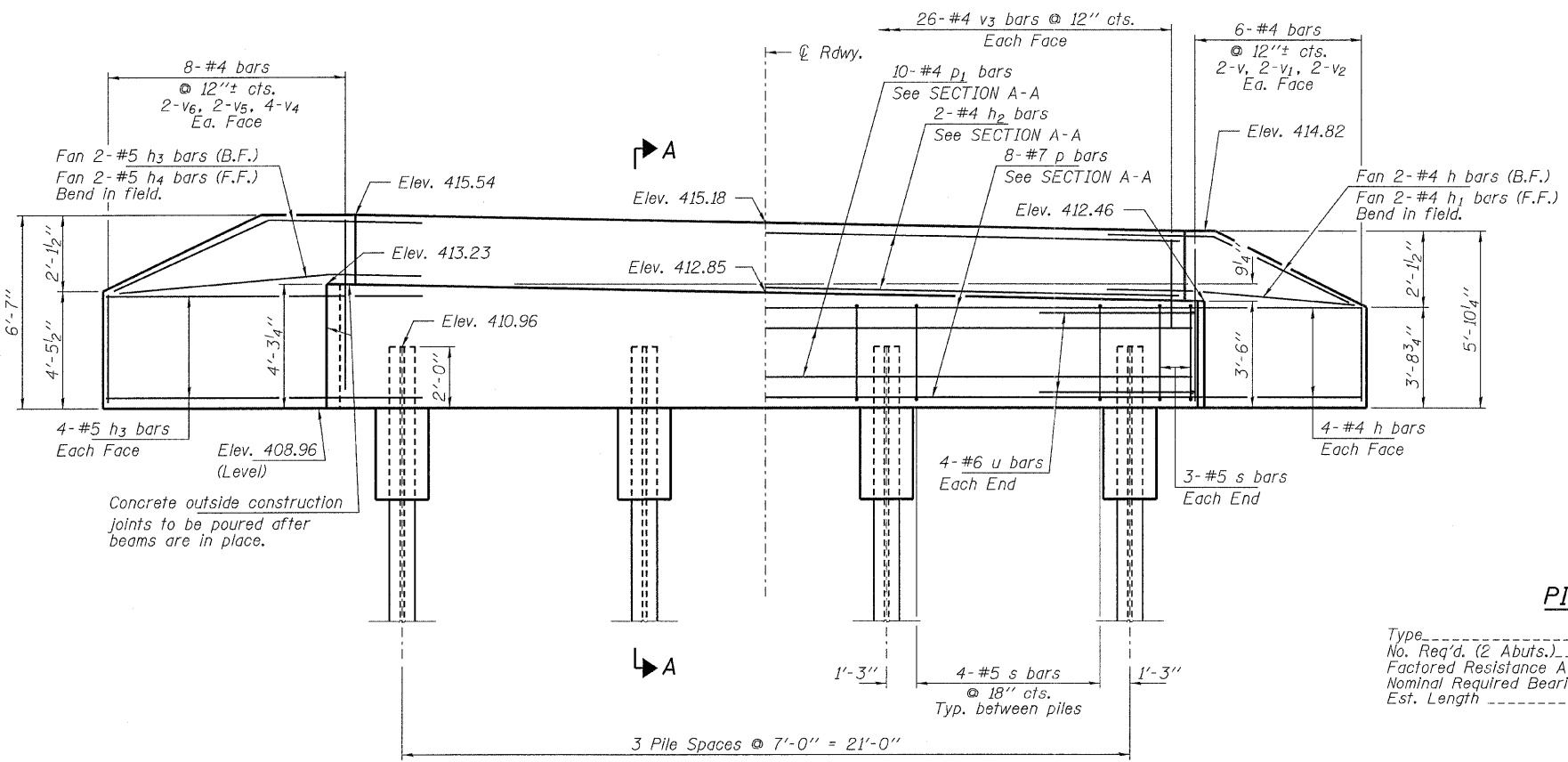
Hatched area to be poured after beams are in place.



BAR s

BAR u

Note: Extend h & h3 bars into abutment cap.



ELEVATION
(Looking East)

PILE DATA

Type ----- Steel HP10x42
 No. Req'd. (2 Abuts.) ----- 4
 Factored Resistance Available (Rf) ----- 184 Kips/Pile
 Nominal Required Bearing (Rn) ----- 335 Kips/Pile
 Est. Length ----- 55 Ft/Pile

BILL OF MATERIAL - E. ABUT.

BAR	NO.	SIZE	LENGTH	SHAPE
h	10	#4	6'-6"	—
h1	2	#4	5'-0"	—
h2	2	#4	25'-7"	—
h3	10	#5	8'-6"	—
h4	2	#5	7'-0"	—
p	8	#7	25'-7"	—
p1	10	#4	25'-7"	—
s	18	#5	11'-7"	□
u	4	#6	12'-2"	U
v	4	#4	5'-5"	—
v1	4	#4	4'-5"	—
v2	4	#4	3'-5"	—
v3	52	#4	3'-2"	—
v4	8	#4	6'-2"	—
v5	4	#4	5'-2"	—
v6	4	#4	4'-2"	—
Concrete Structures			Cu. Yd.	13.1
Concrete Encasement			Cu. Yd.	1.4
Reinforcement Bars			Pound	1,340
Steel Piles HP10x42			Foot	220