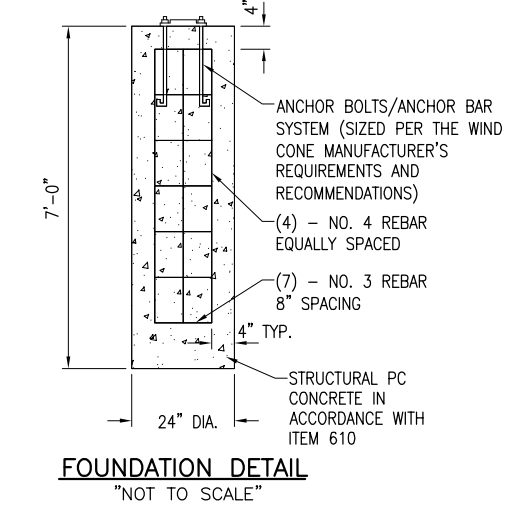


- NOTE:**
1. INCLUDE INTERNAL AND EXTERNAL GROUND LUGS.
  2. L-867 CAN FOR WIND CONE SHALL HAVE 2" HUB AT 0 DEGREES & 3" HUB AT 180 DEGREES. L-867 CAN WITH 2" HUBS AT 0 DEGREES, 90 DEGREES, & 180 DEGREES IS ALSO ACCEPTABLE.



- NOTES**
1. WIND CONE SHALL INCLUDE CONSTANT-BRIGHTNESS SERIES CIRCUIT POWER ADAPTER.
  2. THE RUNWAY 18-36 LIGHTING SERIES CIRCUIT IS POWERED BY AN L-828 CLASS 1 - 6.6 AMP OUTPUT CURRENT, STYLE 1-3 BRIGHTNESS STEPS CONSTANT CURRENT REGULATOR. COORDINATE WITH THE RESPECTIVE WIND CONE MANUFACTURER TO PROVIDE A COMPATIBLE AND PROPERLY SIZED SERIES ISOLATION TRANSFORMER.
  3. THE EXISTING CONSTANT CURRENT REGULATOR POWERING THE SERIES CIRCUIT FOR THE WIND CONE HAS BEEN SIZED FOR THE RESPECTIVE RUNWAY LIGHTING LOADS AND A WIND CONE THAT HAS A LOAD OF LESS THAN 200VA AND DOES NOT REQUIRE A SERIES ISOLATION TRANSFORMER LARGER THAN A 300 WATT RATING. IN THE EVENT THAT A WIND CONE IS PROPOSED THAT EXCEEDS THIS RATING, THE CONTRACTOR SHALL BE RESPONSIBLE TO ENSURE THAT THE RESPECTIVE CONSTANT CURRENT REGULATOR IS PROPERLY SIZED FOR THE TOTAL SERIES CIRCUIT LOAD. WHERE A WIND CONE IS PROPOSED THAT REQUIRES LOADS THAT EXCEED THE RATING OF THE EXISTING CONSTANT CURRENT REGULATOR, THE CONTRACTOR SHALL BE RESPONSIBLE FOR ALL ADJUSTMENTS INCLUDING PROVIDING A LARGER CONSTANT CURRENT REGULATOR AND ALL ASSOCIATED CIRCUIT BREAKERS, CONDUITS, WIRING AND VAULT WORK AS APPLICABLE TO ACCOMMODATE THE RESPECTIVE SERIES CIRCUIT LOAD WITH THE WIND CONE.
  4. L-807 OR L-807(L) WIND CONE WILL BE PAID FOR UNDER ITEM AR107812 L-807 WC-12' INTERNALLY LIT PER EACH. SPLICE CANS FOR WIND CONE SERIES CIRCUIT TRANSFORMER WILL BE INCIDENTAL TO THE RESPECTIVE WIND CONE PAY ITEM.
  5. REBAR SHALL BE MANUFACTURED FROM 100% DOMESTIC STEEL.

**INTERNALLY LIGHTED L-807 WIND CONE**  
"NOT TO SCALE"

REVISION	DATE	UPDATE PER
1	03/08/12	PER FAA PGL 12-2 & EB67D

SHELBY COUNTY AIRPORT  
SHELBYVILLE, ILLINOIS

IL PROJ.: 2HO-4149

Hanson Proj. No. 10A0047	FILENAME E-506.DWG	SCALE NOT TO SCALE	DATE 02/18/12
LAYOUT	KNL	12/09/11	
DRAWN	CWS	01/18/12	
REVIEWED	KNL/CAH		

**HANSON**  
Professional Services Inc. 2012  
Hanson Professional Services Inc.  
1525 South Sixth Street  
Springfield, Illinois 62703-2986  
Ph: (217) 788-2450 Fax: (217) 788-2503  
www.hanson-inc.com  
Offices Nationwide

CONSTRUCT VAULT,  
LIGHT TAXIWAY &  
INSTALL NAVAIDS

L-807 WIND CONE  
ELEVATION DETAIL

MAR 09 2012 1:51 PM KINCAD0394  
E:\100095\10A0047\10A0047D\CAD\AIRPORT\10A0047\10A0047.DWG