

DATE
BY
CHECKED
DATE
BY
DATE
BY

DATE
BY
DATE
BY
DATE
BY

PROJECT NO. 17055
PROJECT CONTACT: 7055-SHT-SUM00000
FILE NAME: 17055-SHT-SUM00000
PLOT DRIVER: 17055-SHT-SUM00000
PLOT DATE: 3/20/2018

PAYCODE	ITEM DESCRIPTION	UNIT	TOTAL	CONSTRUCTION CODE	
				ROADWAY 80% FEDERAL 0004	SIGNALS 80% FEDERAL 0021
20100110	TREE REMOVAL (6 TO 15 UNITS DIAMETER)	UNIT	100	100	
20101000	TEMPORARY FENCE	FOOT	420	420	
20200100	EARTH EXCAVATION	CU YD	718	718	
20201200	REMOVAL AND DISPOSAL OF UNSUITABLE MATERIAL	CU YD	486	486	
21101615	TOPSOIL FURNISH AND PLACE, 4"	SQ YD	1,172	1,172	
+ 25000210	SEEDING, CLASS 2A	ACRE	0.50	0.50	
+ 25000400	NITROGEN FERTILIZER NUTRIENT	POUND	33	33	
+ 25000500	PHOSPHORUS FERTILIZER NUTRIENT	POUND	33	33	
+ 25000600	POTASSIUM FERTILIZER NUTRIENT	POUND	33	33	
+ 25100630	EROSION CONTROL BLANKET	SO YD	1,172	1,172	
28000250	TEMPORARY EROSION CONTROL SEEDING	POUND	37	37	
28000305	TEMPORARY DITCH CHECKS	FOOT	90	90	
28000400	PERIMETER EROSION BARRIER	FOOT	706	706	
* 30300001	AGGREGATE SUBGRADE IMPROVEMENT	CU YD	405	405	
* 30300112	AGGREGATE SUBGRADE IMPROVEMENT (2"	SO YD	1,854	1,854	
* 40600290	BITUMINOUS MATERIALS (TACK COAT)	POUND	6,123	6,123	
40600982	HOT-MIX ASPHALT SURFACE REMOVAL - BUTT JOINT	SO YD	14	14	
40603000	HOT-MIX ASPHALT BINDER COURSE, IL 19.0, N50	TON	156	156	
40603085	HOT-MIX ASPHALT BINDER COURSE, IL 19, N70	TON	156	156	
40603335	HOT-MIX ASPHALT SURFACE COURSE, MIX "B", N60	TON	94	94	
40603340	HOT-MIX ASPHALT SURFACE COURSE, MIX "D", N70	TON	94	94	
40701921	HOT-MIX ASPHALT PAVEMENT (FULL-DEPTH), 12"	SO YD	1,179	1,179	
44000100	PAVEMENT REMOVAL	SO YD	2,452	2,452	
44000164	HOT-MIX ASPHALT SURFACE REMOVAL, 3 3/4"	SO YD	1,095	1,095	
44004250	PAVED SHOULDER REMOVAL	SO YD	698	698	
44201765	CLASS D PATCHES, TYPE II, 10 INCH	SO YD	8	8	
48101200	AGGREGATE SHOULDERS, TYPE B	TON	172	172	
48203029	HOT-MIX ASPHALT SHOULDERS, 8"	SO YD	599	599	
+ 66900200	NON-SPECIAL WASTE DISPOSAL	CU YD	200	200	
+ 66900450	SPECIAL WASTE PLANS AND REPORTS	L SUM	1	1	
+ 66900530	SOIL DISPOSAL ANALYSIS	EACH	1	1	
67000400	ENGINEER'S FIELD OFFICE, TYPE A	CAL MO	9	9	
67100100	MOBILIZATION	L SUM	1	1	
70300100	SHORT TERM PAVEMENT MARKING	FOOT	1,119	1,119	
70300150	SHORT TERM PAVEMENT MARKING REMOVAL	SO FT	427	427	
70300510	PAVEMENT MARKING TAPE, TYPE III - LETTERS AND SYMBOLS	SO FT	156	156	
70300520	PAVEMENT MARKING TAPE, TYPE III 4"	FOOT	3,082	3,082	
70300570	PAVEMENT MARKING TAPE, TYPE III 24"	FOOT	38	38	
+ 72000100	SIGN PANEL - TYPE 1	SO FT	15	15	
+ 72000200	SIGN PANEL - TYPE 2	SO FT	12.5	12.5	
+ 78000100	THERMOPLASTIC PAVEMENT MARKING - LETTERS AND SYMBOLS	SO FT	110	110	
+ 78000200	THERMOPLASTIC PAVEMENT MARKING - LINE 4"	FOOT	5,735	5,735	

PAYCODE	ITEM DESCRIPTION	UNIT	TOTAL	CONSTRUCTION CODE	
				ROADWAY 80% FEDERAL 0004	SIGNALS 80% FEDERAL 0021
+ 78000400	THERMOPLASTIC PAVEMENT MARKING - LINE 6"	FOOT	437		
+ 78000650	THERMOPLASTIC PAVEMENT MARKING - LINE 24"	FOOT	111	111	
+ 78100100	RAISED REFLECTIVE PAVEMENT MARKER	EACH	6	6	
+ 78300200	RAISED REFLECTIVE PAVEMENT MARKER REMOVAL	EACH	6	6	
+ 81028200	UNDERGROUND CONDUIT, GALVANIZED STEEL, 2" DIA.	FOOT	721		721
+ 81028220	UNDERGROUND CONDUIT, GALVANIZED STEEL, 3" DIA.	FOOT	243		243
+ 81028240	UNDERGROUND CONDUIT, GALVANIZED STEEL, 4" DIA.	FOOT	248		248
+ 81400100	HANDHOLE	EACH	5		5
+ 81400200	HEAVY-DUTY HANDHOLE	EACH	1		1
+ 81400300	DOUBLE HANDHOLE	EACH	1		1
* + 85000200	MAINTENANCE OF EXISTING TRAFFIC SIGNAL INSTALLATION	EACH	2		2
+ 85100500	PAINT NEW TRAFFIC SIGNAL POST	EACH	2		2
+ 85100600	PAINT NEW MAST ARM AND POLE, UNDER 40 FOOT	EACH	1		1
+ 85100701	PAINT NEW MAST ARM AND POLE, 40 FOOT AND OVER	EACH	2		2
+ 86400100	TRANSCEIVER - FIBER OPTIC	EACH	1		1
+ 87300925	ELECTRIC CABLE IN CONDUIT, TRACER, NO. 14 IC	FOOT	5,057		5,057
+ 87301225	ELECTRIC CABLE IN CONDUIT, SIGNAL NO. 14 3C	FOOT	546		546
+ 87301245	ELECTRIC CABLE IN CONDUIT, SIGNAL NO. 14 5C	FOOT	2,825		2,825
+ 87301255	ELECTRIC CABLE IN CONDUIT, SIGNAL NO. 14 7C	FOOT	268		268
+ 87301305	ELECTRIC CABLE IN CONDUIT, LEAD-IN, NO. 14 1 PAIR	FOOT	1,738		1,738
+ 87301805	ELECTRIC CABLE IN CONDUIT, SERVICE, NO. 6 2 C	FOOT	98		98
+ 87301900	ELECTRIC CABLE IN CONDUIT, EQUIPMENT GROUNDING CONDUCTOR, NO. 6 IC	FOOT	738		738
+ 87502500	TRAFFIC SIGNAL POST, GALVANIZED STEEL 16 FT.	EACH	2		2
+ 87700190	STEEL MAST ARM ASSEMBLY AND POLE, 30 FT.	EACH	1		1
+ 87700250	STEEL MAST ARM ASSEMBLY AND POLE, 42 FT.	EACH	2		2
+ 87800100	CONCRETE FOUNDATION, TYPE A	FOOT	12		12
+ 87800150	CONCRETE FOUNDATION, TYPE C	FOOT	4		4
+ 87800400	CONCRETE FOUNDATION, TYPE E 30-INCH DIAMETER	FOOT	14		14
+ 87800415	CONCRETE FOUNDATION, TYPE E 36-INCH DIAMETER	FOOT	26		26
+ 87900200	DRILL EXISTING HANDHOLE	EACH	1		1
+ 88030020	SIGNAL HEAD, LED, 1-FACE, 3-SECTION, MAST-ARM MOUNTED	EACH	6		6
+ 88030050	SIGNAL HEAD, LED, 1-FACE, 3-SECTION, BRACKET MOUNTED	EACH	5		5
+ 88030100	SIGNAL HEAD, LED, 1-FACE, 5-SECTION, BRACKET MOUNTED	EACH	1		1
+ 88030110	SIGNAL HEAD, LED, 1-FACE, 5-SECTION, MAST-ARM MOUNTED	EACH	1		1
+ 88200410	TRAFFIC SIGNAL BACKPLATE, LOUVERED, FORMED PLASTIC	EACH	7		7
+ 88500100	INDUCTIVE LOOP DETECTOR	EACH	4		4
+ 88600100	DETECTOR LOOP, TYPE I	FOOT	261		261

* SPECIAL PROVISION
+ SPECIALTY ITEM
X CONSTRUCTION TYPE CODE 0042
△ 100% LOCAL



USER NAME = jharvst
DESIGNED - JH
DRAWN - DMS
CHECKED -
DATE - 3/20/18
REVISED - 4/6/18
REVISED -
REVISED -
REVISED -

STATE OF ILLINOIS
DEPARTMENT OF TRANSPORTATION

SUMMARY OF QUANTITIES
NORTH AVENUE AT LAKE STREET

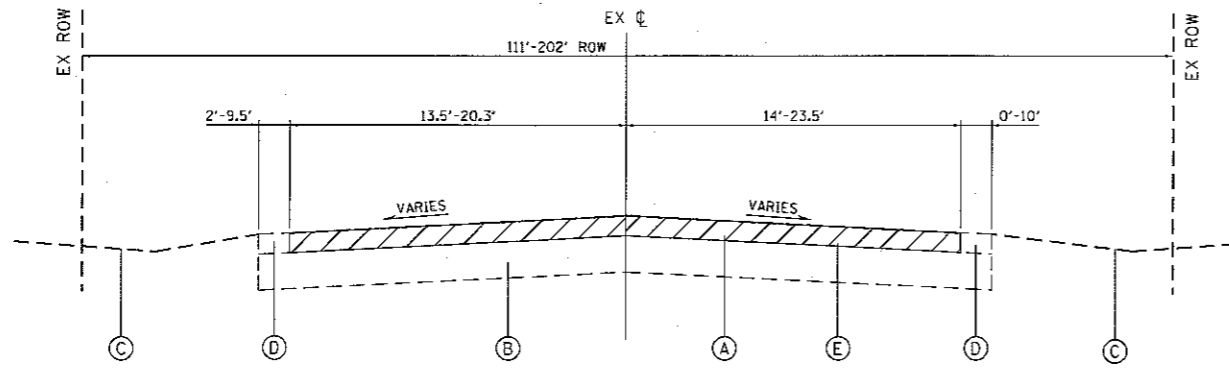
SCALE: N.T.S. SHEET NO. 1 OF 2 SHEETS STA. TO STA. FED. ROAD DIST. NO. ILLINOIS FED. AID PROJECT

F.A.I. RTE.	SECTION NO.	COUNTY	TOTAL SHEETS	SHEET NO.
045/1345	15-00058-00-CH	COOK	45	4
CONTRACT NO.			61E71	

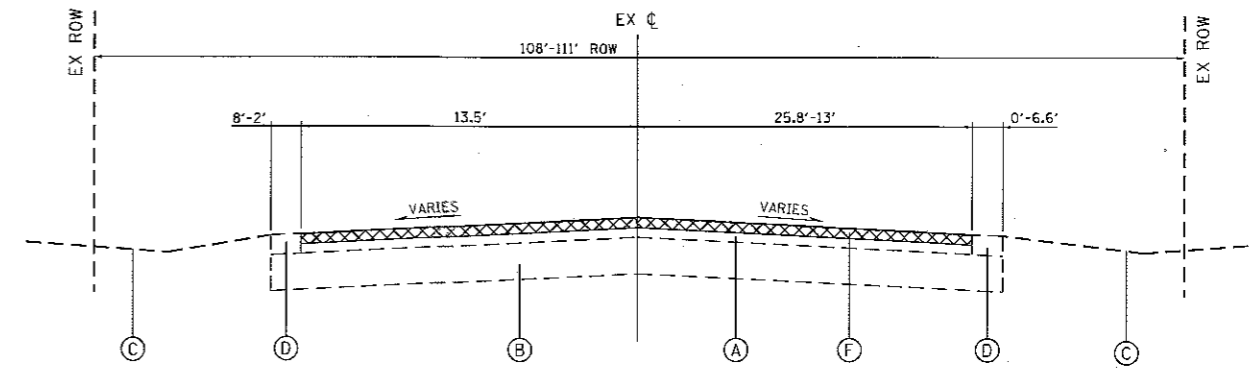
PLAN	SURVEYED	DATE
	PLOTTED	
	RT. OF WAY CHECKED	
	CADD FILE NAME	
NOTE BOOK NO.		

PROFILE	SURVEYED	DATE
	PLOTTED	
	RT. OF WAY CHECKED	
	STRUCTURE NOTATIONS CHECKED	
NOTE BOOK NO.		

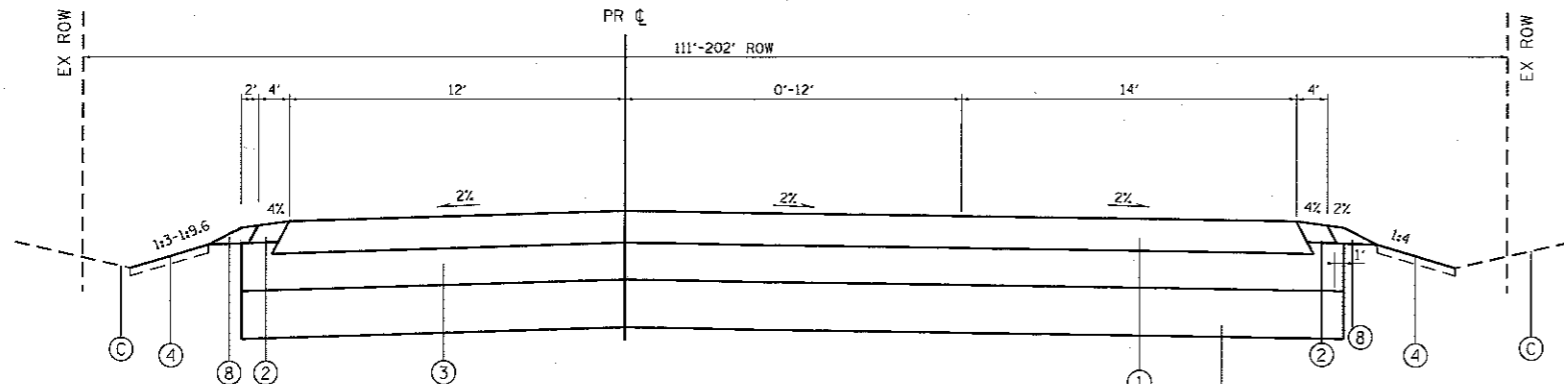
HRG PROJECT NO.: 17055
 HRG PROJ CONTACT: TOSSENY, J.M.
 FILE NAME: L_PDF_DW_PDF10
 PLOT DRIVER: PLOT10
 PEN TABLE: PLOT10.tbl



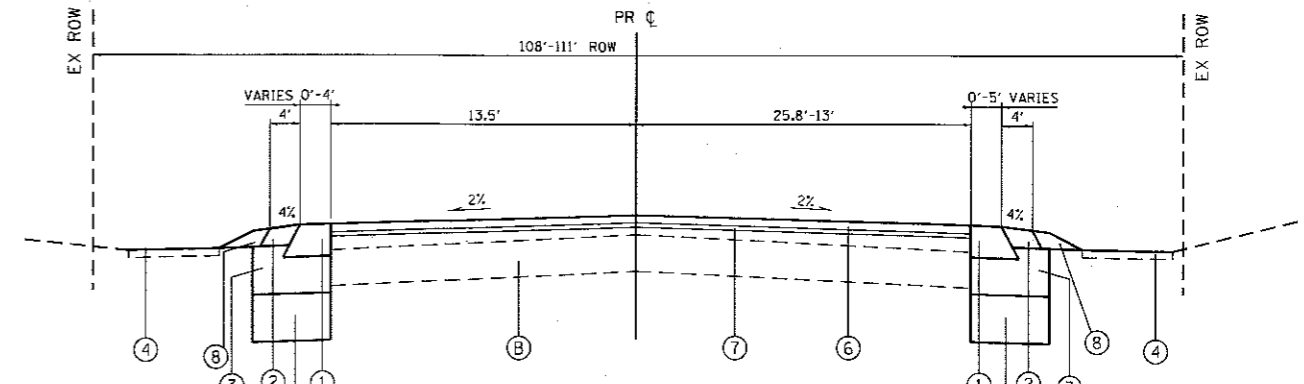
EXISTING TYPICAL SECTION
 NORTH AVENUE
 STA. 311+89.25 TO STA. 313+72.02



EXISTING TYPICAL SECTION
 NORTH AVENUE
 STA. 308+47.84 TO STA. 311+89.25



PROPOSED TYPICAL SECTION
 NORTH AVENUE
 STA. 311+89.25 TO STA. 314+04.92
 REFER TO SUPERELEVATION DETAILS



PROPOSED TYPICAL SECTION
 NORTH AVENUE
 STA. 308+47.84 TO STA. 311+89.25
 REFER TO DETAIL 1 FOR SUPERELEVATION DETAILS

EXISTING LEGEND

- (A) EXISTING HOT-MIX ASPHALT PAVEMENT; ±6"
- (B) EXISTING AGGREGATE BASE COURSE; ±12"
- (C) EXISTING GROUND
- (D) EXISTING AGGREGATE SHOULDER
- (E) PAVEMENT REMOVAL
- (F) HOT-MIX ASPHALT SURFACE REMOVAL; 3 3/4"

PROPOSED LEGEND

- (1) HOT-MIX ASPHALT PAVEMENT (FULL DEPTH), 12"
- (2) HOT-MIX ASPHALT SHOULDERS, 8"
- (3) AGGREGATE SUBGRADE IMPROVEMENT, 12" (50 YD)
- (4) TOPSOIL FURNISH AND PLACE, 4"; SEEDING CLASS 2A
- (5) AGGREGATE SUBGRADE IMPROVEMENT, (CU YD) (AS DIRECTED BY THE ENGINEER)
- (6) HOT-MIX ASPHALT SURFACE COURSE, MIX "D", N70; 1 1/2"
- (7) HOT-MIX ASPHALT BINDER COURSE, IL-19.0, N70; 2 1/2"
- (8) AGGREGATE SHOULDERS, TYPE B

HOT-MIX ASPHALT MIXTURE REQUIREMENTS	
MIXTURE TYPE	AIR VOIDS @ Ndes
PAVEMENT RESURFACING - NORTH AVENUE	
HMA SURFACE COURSE, MIX "D", N70 (IL-9.5mm); 1 1/2"	4.0% @ 70 GYR.
HOT-MIX ASPHALT BINDER COURSE, IL-19.0, N70; 2 1/2"	4.0% @ 70 GYR.
PAVEMENT RECONSTRUCTION & WIDENING - NORTH AVENUE	
HMA SURFACE COURSE, MIX "D", N70 (IL-9.5mm); 2"	4.0% @ 70 GYR.
HOT-MIX ASPHALT BINDER COURSE, IL-19.0, N70; 4"	4.0% @ 70 GYR.
HOT-MIX ASPHALT BASE COURSE WIDENING (HMA BINDER IL 19 MM); 6"	4.0% @ 50 GYR.
SHOULDERS, 8"	
HMA SURFACE COURSE, MIX "D", N70 (IL-9.5mm); 2"	4.0% @ 70 GYR.
HOT-MIX ASPHALT BASE COURSE WIDENING (HMA BINDER IL 19 MM); 6"	4.0% @ 50 GYR.
TEMPORARY PAVEMENT	
HMA SURFACE COURSE, MIX "D", N70 (IL-9.5mm); 2"	4.0% @ 70 GYR.
HOT-MIX ASPHALT BINDER, N70 (IL 19mm); 8"	4.0% @ 50 GYR.

THE UNIT WEIGHT TO CALCULATE ALL HMA SURFACE MIXTURE QUANTITIES IS 112 LBS/SQ YD/IN

THE "AC TYPE" FOR POLYMERIZED HMA MIXES SHALL BE "SBS/SBR PG 76-22" AND FOR NON-POLYMERIZED HMA THE "AC TYPE" SHALL BE "PG 64-22".

FOR HMA FULL DEPTH "AC TYPE" SEE SPECIAL PROVISIONS.FOR USE OF RECYCLED MATERIALS SEE SPECIAL PROVISIONS.



USER NAME = jma1hu	DESIGNED - JH	REVISED - 4/6/18
	DRAWN - DMS	REVISED -
PLOT SCALE = N.T.S.	CHECKED -	REVISED -
PLOT DATE = 4/6/2018	DATE - 4/6/18	REVISED -

**STATE OF ILLINOIS
 DEPARTMENT OF TRANSPORTATION**

**EXISTING & PROPOSED TYPICAL SECTIONS
 NORTH AVENUE AT LAKE STREET**

SCALE: N.T.S.	SHEET NO. 1 OF 1 SHEETS	STA. TO STA.	F.A.U. RTE. 045/1345	SECTION NO. 15-00058-00-CH	COUNTY COOK	TOTAL SHEETS 45	SHEET NO. 6
						CONTRACT NO. 61E71	
						ILLINOIS FED. AID PROJECT	

