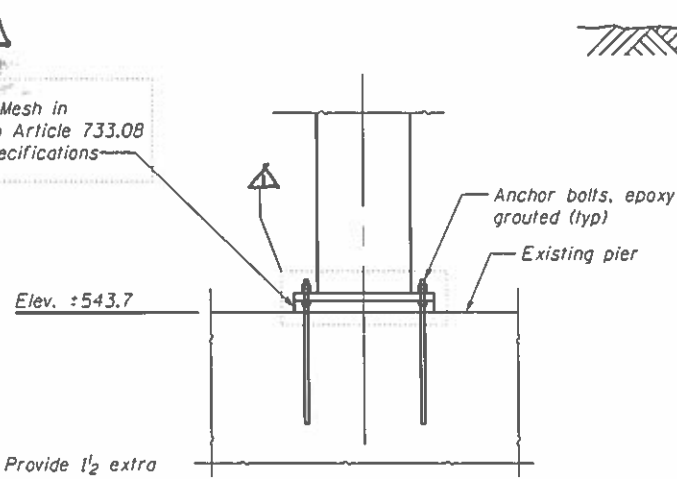
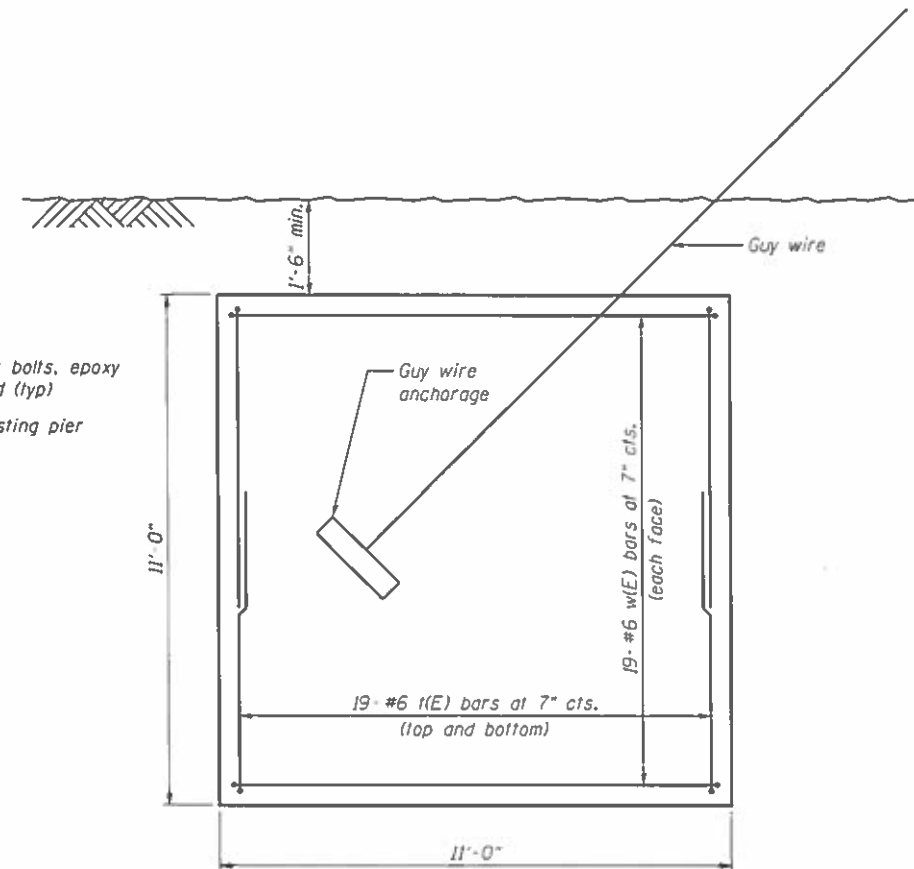


WEST TOWER FOUNDATION

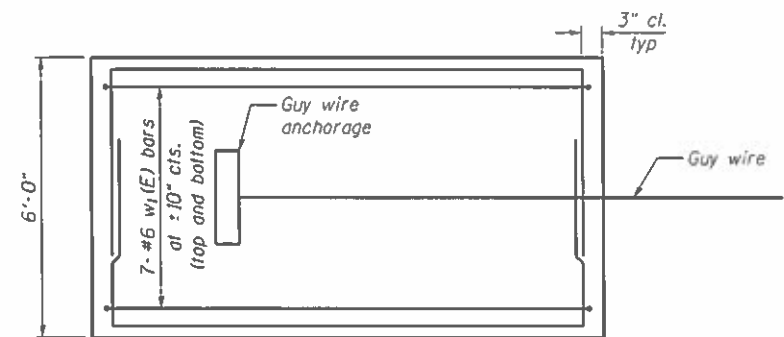


EAST TOWER ANCHORAGE

Locate East Tower anchor bolts to miss existing East Pier reinforcement

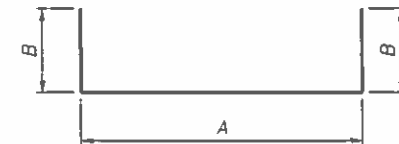


ELEVATION



PLAN

GUY WIRE FOUNDATIONS



Bar	A	B
1(E)	5'-6"	6'-6"
w(E)	10'-6"	4'-0"
w1(E)	10'-6"	6'-6"

1(E), w(E) and w1(E) Bars

BILL OF MATERIAL

Bar	No.	Size	Length	Shape
sp(E)	1	4	27'-3"	AAA
1(E)	38	6	18'-6"	U
v(E)	20	8	27'-3"	—
w(E)	38	6	18'-6"	U
w1(E)	14	6	23'-6"	U
Structure Excavation		Cu. Yd.	148.9	
Rock Excavation for Structures		Cu. Yd.	3	
Concrete Structures		Cu. Yd.	66.0	
Reinforcement Bars, Epoxy Coated		Pound	4440	
Aerial Cable Support System		L. Sum	1	

Space cap reinforcement to miss anchor bolts.
* Length is height of spiral.

NOTES

- The Contractor is advised that there is limited available R.O.W. for access to and construction of the west tower and west guy wire foundations.
- The Contractor shall locate the tower and guy wire foundations to avoid existing utilities.
- Foundation and anchorage details shown are for quantity estimating purposes only. Contractor shall design foundations and anchorages. Design is included in the cost of Aerial Cable Support System. See Special Provisions.
- Per the Special Provisions, a drilled shaft foundation is suggested for the west tower foundation. Therefore, the estimated quantity for Structure Excavation for the west tower foundation does not include 2 ft. of over excavation per section 502.12 (b) of the Standard Specifications. Instead, the volume has been computed using the plan diameter of the shaft multiplied by the length of the shaft in soil.



USER NAME *	DESIGNED - J.T. HEGER	REVISED
	CHECKED - D.W. PETERMEIER	REVISED
PLOT SCALE *	DRAWN - J.T. HEGER	REVISED
PLOT DATE *	CHECKED - D.W. PETERMEIER	REVISED

STATE OF ILLINOIS
DEPARTMENT OF TRANSPORTATION

VARIOUS MOVABLE BRIDGES
LOCAL CENTRALIZED CONTROL AND OPERATION
RUBY STREET - AERIAL CABLE DETAILS - 1
SHEET NO. 93 OF 97 SHEETS

F.A.P. RTE.	SECTION	COUNTY	TOTAL SHEETS
112	2011-045-1	WILL	466
			SHEET NO. 106
			CONTRACT NO. 60P55
ILLINOIS FED. AID PROJ. ECT			

REV 4-16-18