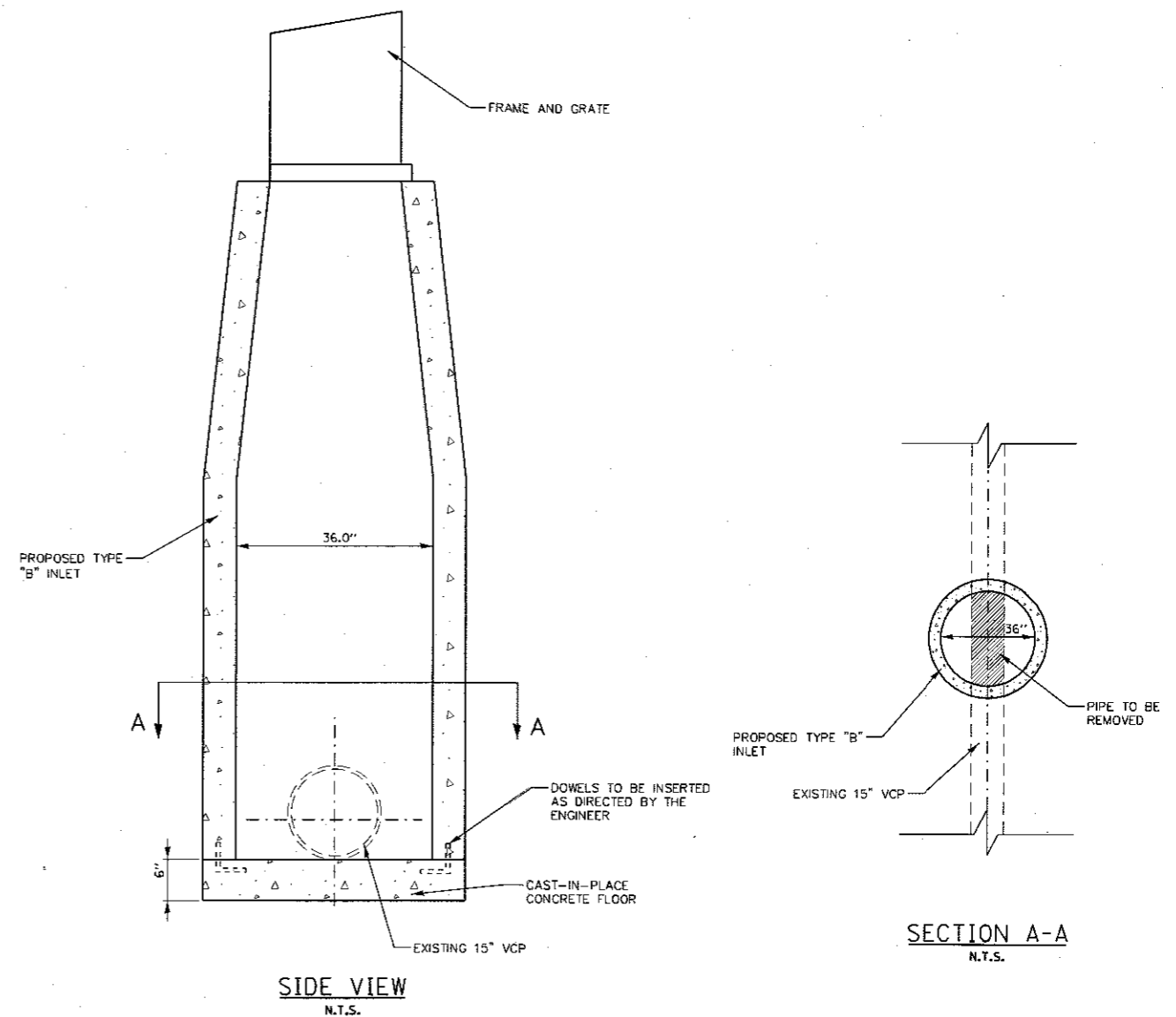
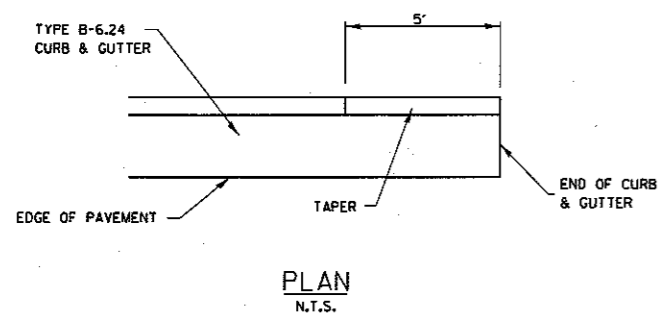


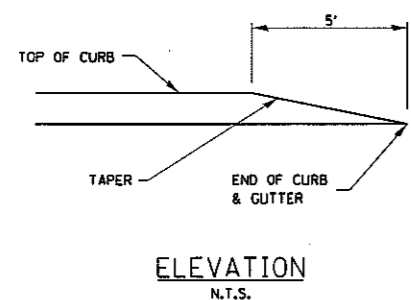
INLET, TYPE A, SET OVER
N.T.S.



INLET, TYPE B, SET OVER
N.T.S.

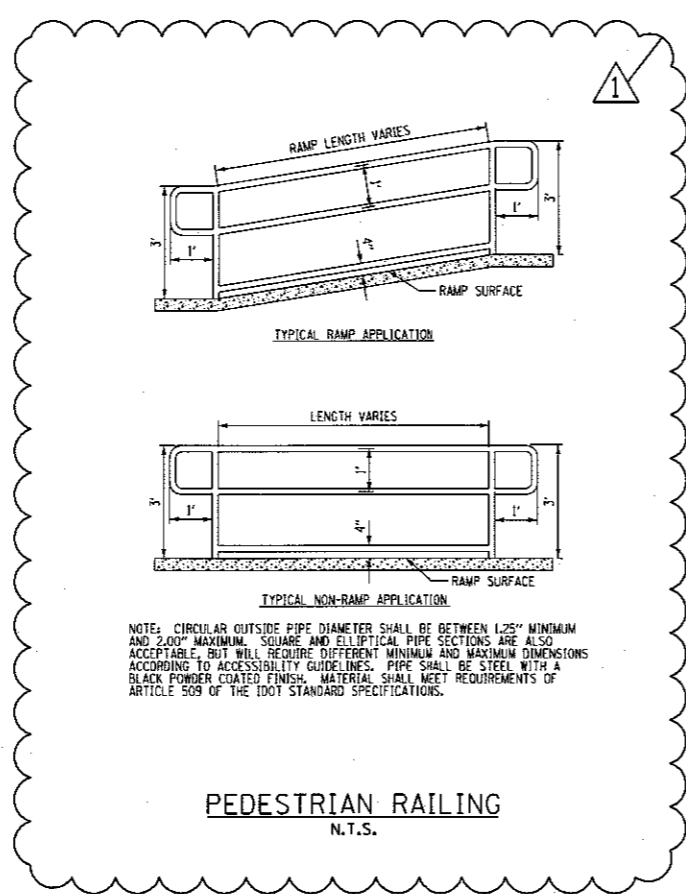


PLAN
N.T.S.



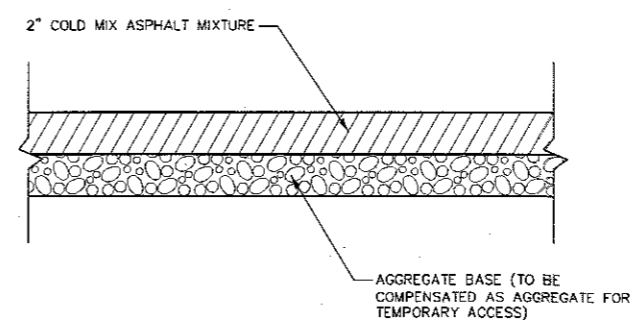
ELEVATION
N.T.S.

CURB AND GUTTER TERMINI
N.T.S.

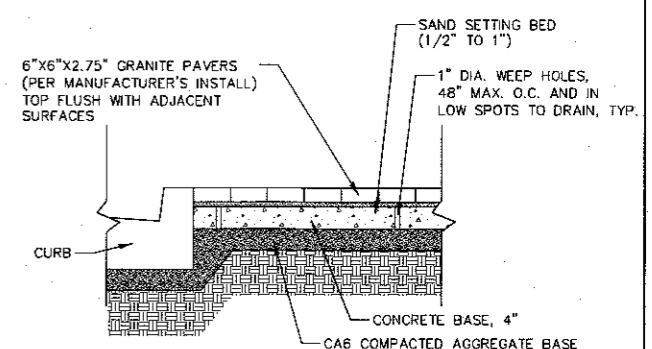


NOTE: CIRCULAR OUTSIDE PIPE DIAMETER SHALL BE BETWEEN 1.25\"/>

PEDESTRIAN RAILING
N.T.S.



TEMPORARY COLD MIX ASPHALT SIDEWALK
N.T.S.



GRANITE PAVERS
N.T.S.

FILE NAME = misc.details.dgn	USER NAME = tkruup	DESIGNED - BFK	REVISED - 4/12/18	NIEDRINGHAUS AVENUE STREETScape PHASE 2 GRANITE CITY, ILLINOIS	MISCELLANEOUS DETAILS			F.A.U. RTE. 9090	SECTION 10-00191-00-LS	COUNTY MADISON	TOTAL SHEETS 58	SHEET NO. 58
JUNEAU Job No. E110226	PLOT SCALE = 48,0000' / 1"	CHECKED - BFK	REVISED -					SCALE: N.T.S.	SHEET NO. 1 OF 1 SHEETS	STA. TO STA.	CONTRACT NO. 97653	
	PLOT DATE = 4/16/2018	DATE - 5/11/17	REVISED -		ILLINOIS FED. AID PROJECT							