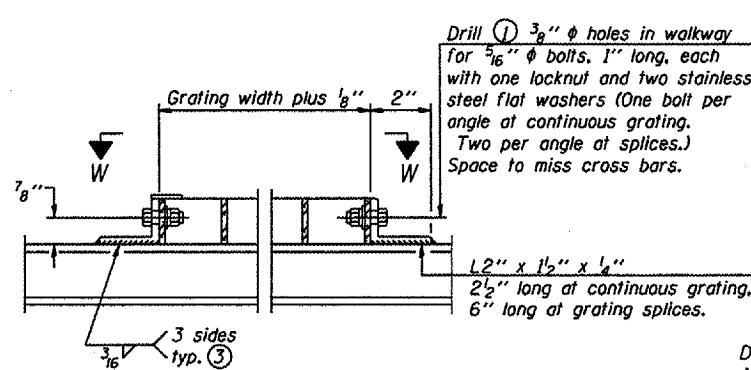
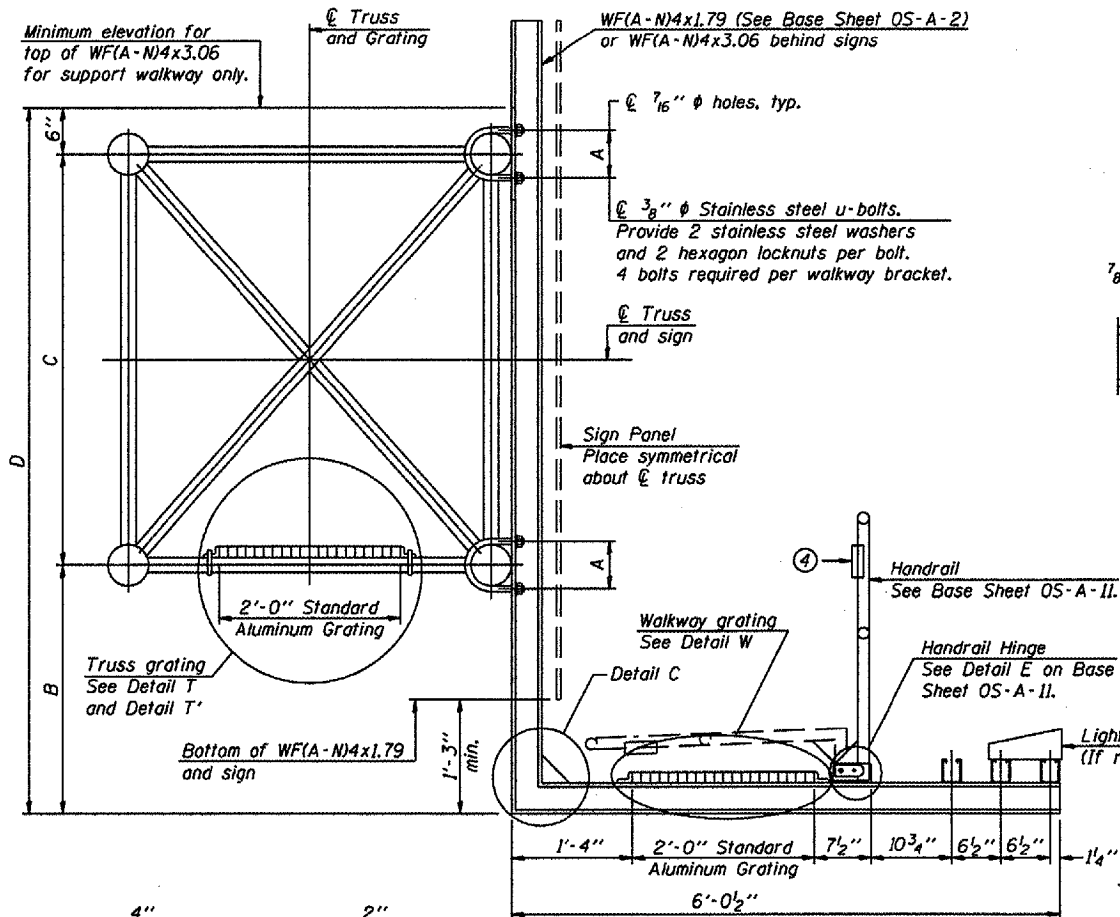
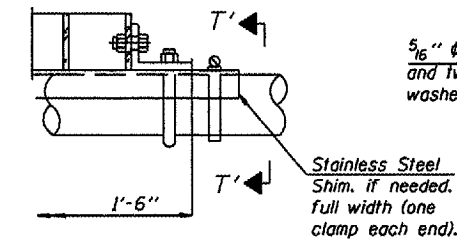


STATE OF ILLINOIS  
DEPARTMENT OF TRANSPORTATION

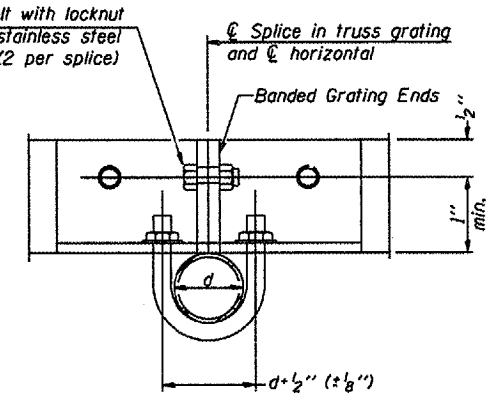
Various Routes  
OVD SIN STR REP & REPL 2006-9  
Various Counties  
Sheet 37 of 114  
Contract Number 44904



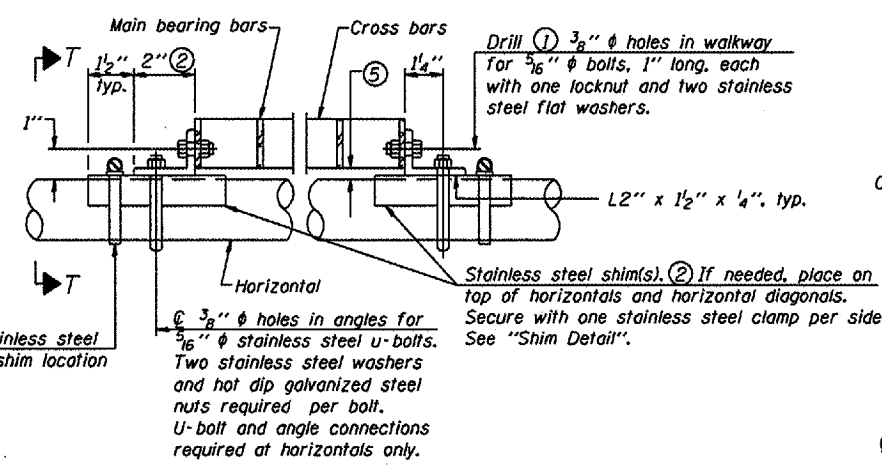
DETAIL W  
(Walkway grating)



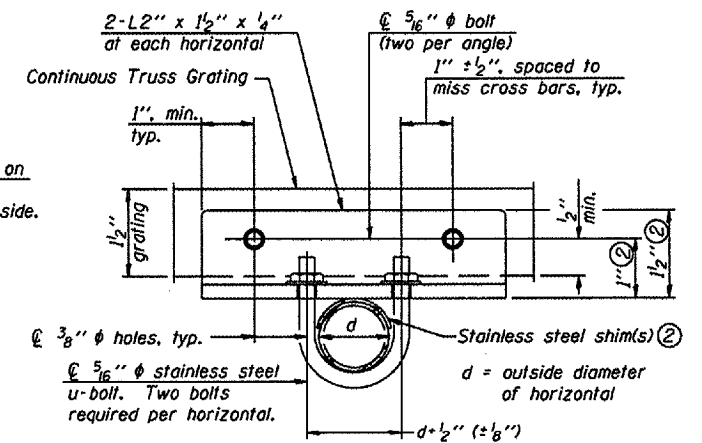
DETAIL T'  
(Truss grating splice)  
Details not shown same as Detail T. Alternate materials may be used subject to the Engineer's review and approval.



SECTION T'-T'



DETAIL T  
(Continuous Truss grating)



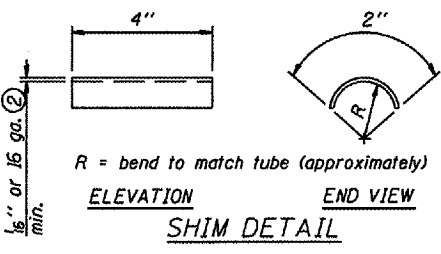
SECTION T-T

SPECIFICATIONS FOR STANDARD ALUMINUM GRATING

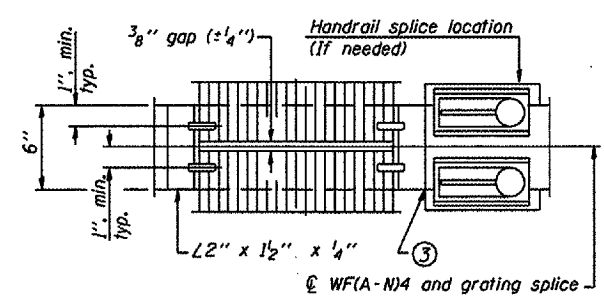
Main Bearing Bars shall be 3/16" x 1 1/2" on 1 3/16" centers and conform to ASTM B221 Alloy 6061-T6.  
Cross bars shall be 3/16" x 1 1/2" on 4" centers and conform to ASTM B221 Alloy 6063-T5 or 6061-T6.

OR

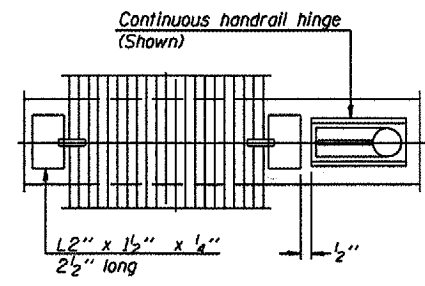
Aluminum Grating with modified "I" sections for main bearing bars shall meet the following requirements:  
Main bars shall conform to ASTM B221 Alloy 6061-T6 and have a minimum section modulus equal to 0.0705 in.<sup>3</sup> per bar, a depth of 1 1/2", spaced on 1 3/16" centers.  
Cross bars shall conform to ASTM B221 Alloy 6063-T5 or T-42 and spaced on 4" centers.



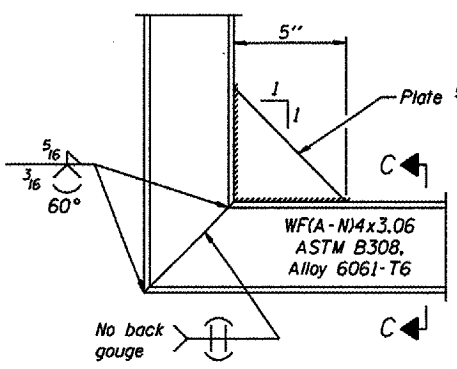
SECTION B-B



(AT WALKWAY GRATING SPLICE)



SECTION W-W (CONTINUOUS WALKWAY GRATING)



DETAIL C

(See Detail P, Base Sheet OS-A-II.)

SECTION C-C

DESIGNED -	20
CHECKED -	EXAMINED
DRAWN -	PASSED
CHECKED -	ENGINEER OF BRIDGES AND STRUCTURES

NUMBER	REVISION	DATE

Structure Number	Station	A	B	C	D
2S006I080R059.5	1316 + 20	5 7/8"	3'-10 1/2"	5' - 3"	9' - 8"
2S037I080L011.4	1026 + 40	5 3/8"	5' - 3"	4' - 6"	10' - 6"

At all other locations the existing walkway and walkway support brackets will be reused.

OVERHEAD SIGN STRUCTURES  
ALUMINUM WALKWAY DETAILS

District 2  
Overhead Sign  
Structure Replacement