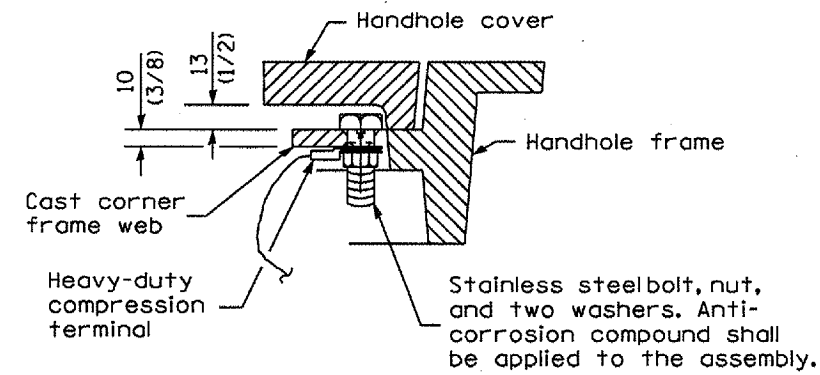
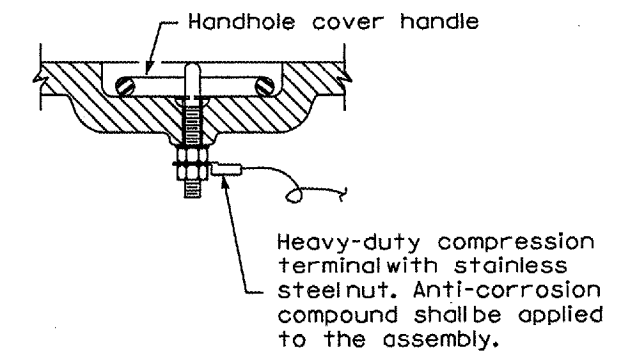


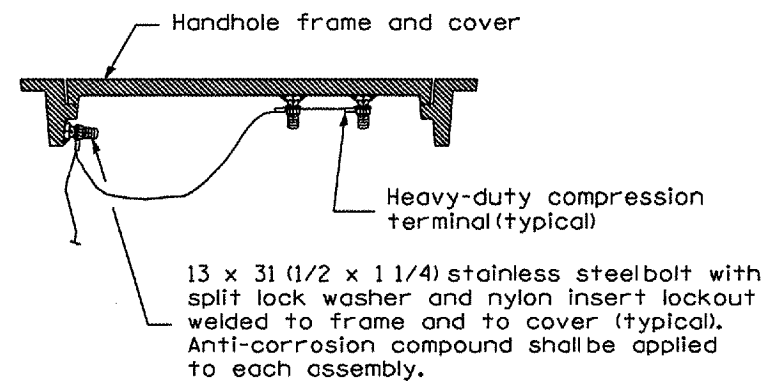
GROUNDING A HANDHOLE COVER & FRAME



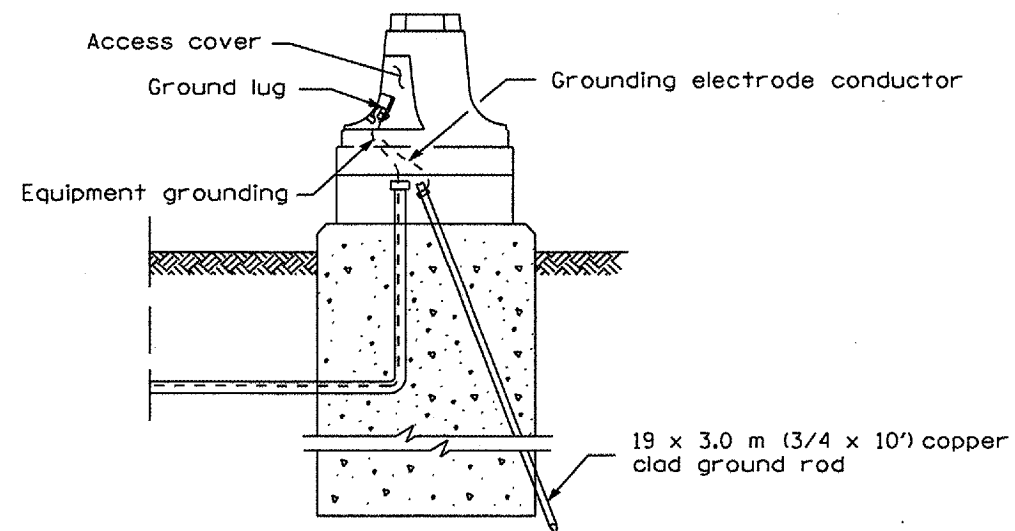
DETAIL "A"



DETAIL "B"



GROUNDING AN EXISTING HANDHOLE COVER & FRAME



GROUNDING A MAST ARM POLE/POST



HEAVY-DUTY COMPRESSION TERMINAL



HEAVY-DUTY GROUND ROD CLAMP

19 (3/4) Clamp Size

REVISIONS		TRAFFIC SIGNAL GROUNDING
4-1-06	New standard.	