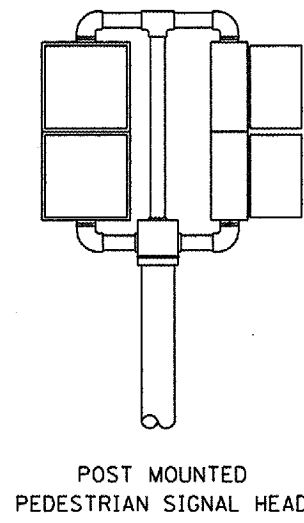


POST MOUNTED
TRAFFIC SIGNAL HEAD

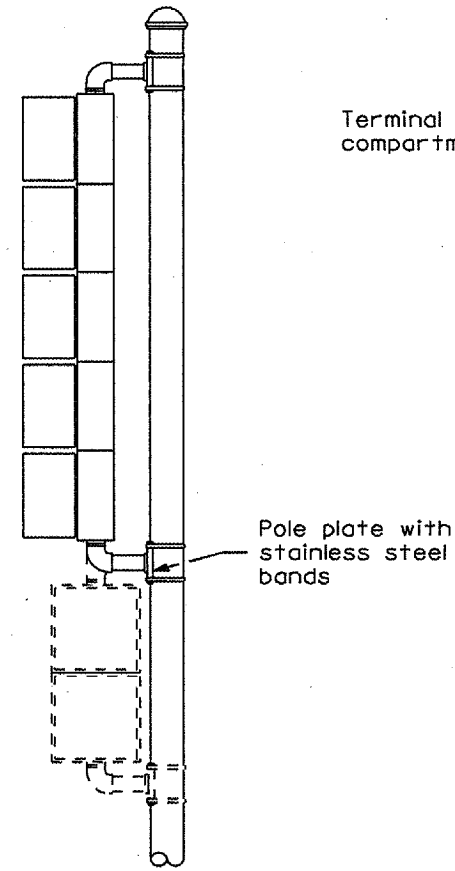
POST MOUNTED
PEDESTRIAN SIGNAL HEAD

ONE WAY



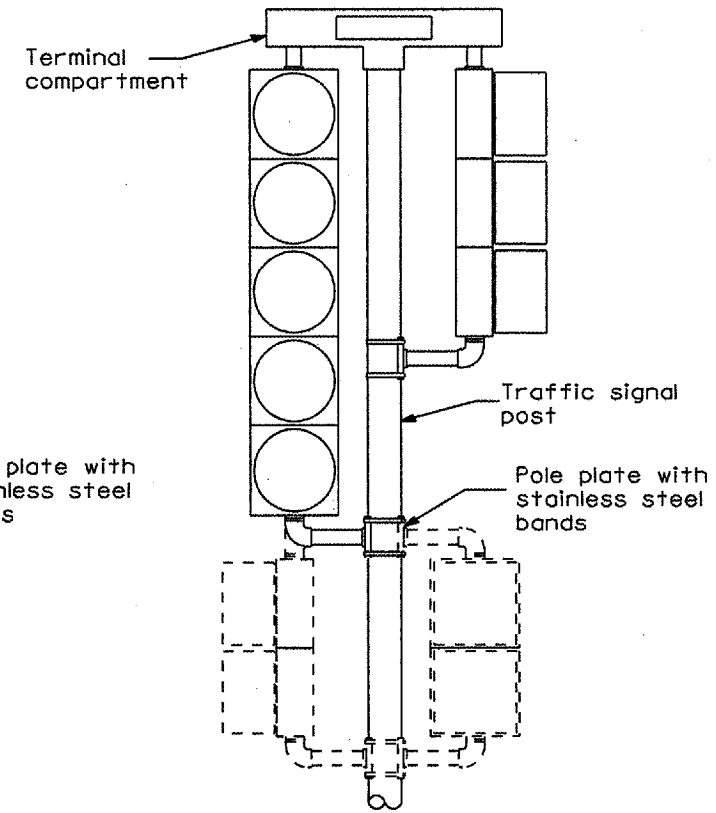
POST MOUNTED
PEDESTRIAN SIGNAL HEAD

TWO WAY



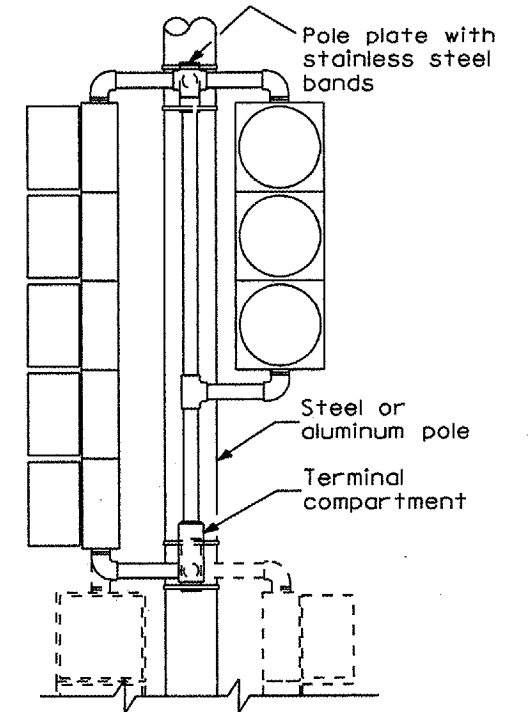
BRACKET MOUNTED
TRAFFIC SIGNAL HEAD

ONE WAY

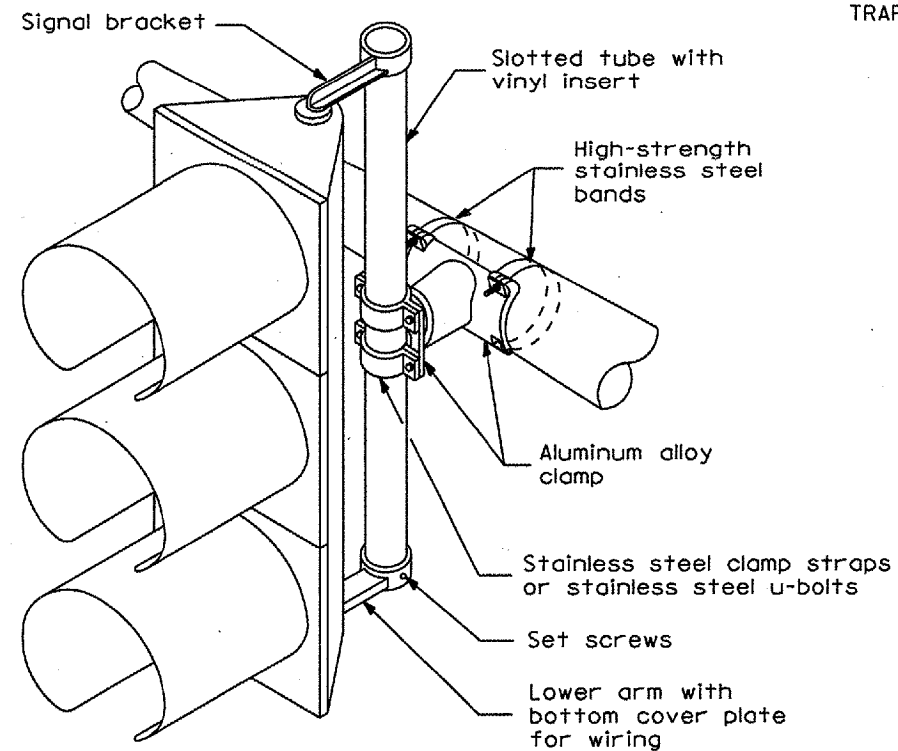


BRACKET MOUNTED
TRAFFIC SIGNAL HEAD

TWO WAY



BRACKET MOUNTED
TRAFFIC SIGNAL HEAD



STEEL MAST ARM MOUNTING

All dimensions are in millimeters (inches) unless otherwise shown.

TRAFFIC SIGNAL
MOUNTING DETAILS

STANDARD 880006