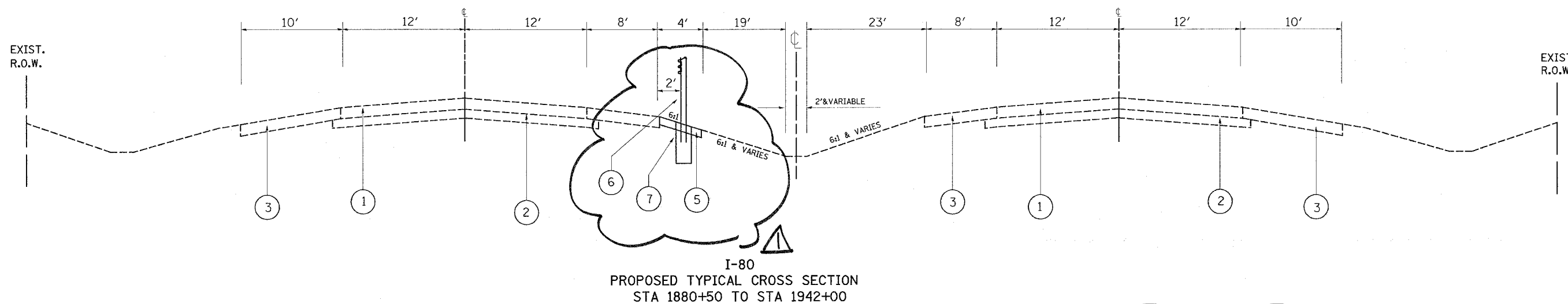
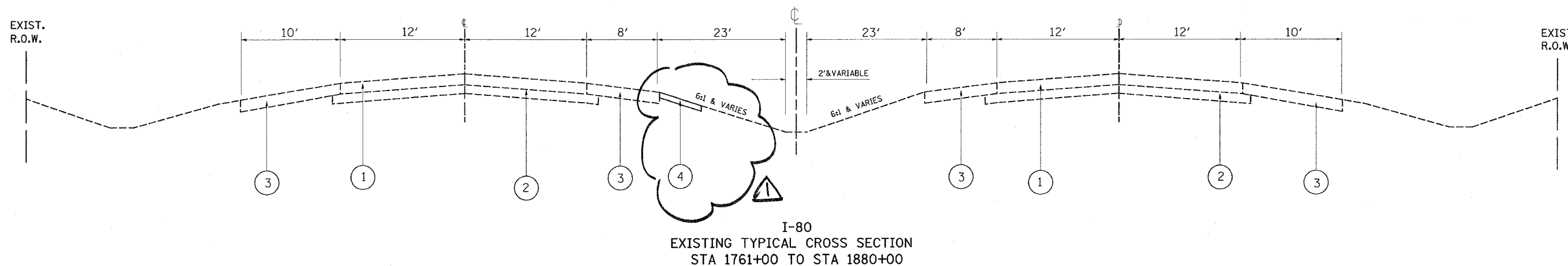


| | | | | |
|-----------------------|----------|---------------------------|--------------|-----------|
| F.A.I. RTE. | SECTION | COUNTY | TOTAL SHEETS | SHEET NO. |
| 80 | 99:1-1-3 | WILL | 34 | 6 |
| STA. | | TO STA. | | |
| FED. ROAD DIST. NO. 1 | | ILLINOIS FED. AID PROJECT | | |

CONTRACT 60A42



LEGEND

- ① EXISTING 10" P.C.C. PAVEMENT
- ② EXISTING SUBBASE GRANULAR MATERIAL; TYPE A
- ③ EXISTING BIT. SHOULDER
- ④ REMOVAL AND DISPOSAL OF UNSUITABLE MATERIAL
- ⑤ PROPOSED BITUMINOUS SHOULDER, SUPERPAVE 4"
- ⑥ PROPOSED HIGH TENSION CABLE MEDIAN BARRIER SYSTEM
- ⑦ PROPOSED CONCRETE FOUNDATION - INCLUDED IN THE COST OF THE HIGH TENSION CABLE MEDIAN BARRIER SYSTEM
- ⑧ PROPOSED SEEDING CLASS 2A AND TOPSOIL PLACEMENT 4"

MIXTURE REQUIREMENTS

| ITEM | AC TYPE | VOID | RAP % |
|------------------------------------|----------|-------------|-------|
| BITUMINOUS SHOULDER, SUPERPAVE, 4" | PG 58-22 | 2% @ 30 GYR | 50 |

| REVISIONS | |
|-----------|------|
| NAME | DATE |
| | |
| | |
| | |
| | |
| | |
| | |
| | |
| | |
| | |
| | |

ILLINOIS DEPARTMENT OF TRANSPORTATION
INTERSTATE 80
EXISTING AND PROPOSED TYPICAL SECTION
SCALE: NONE
DRAWN BY: HMO
4/17/2006
CHECKED BY: