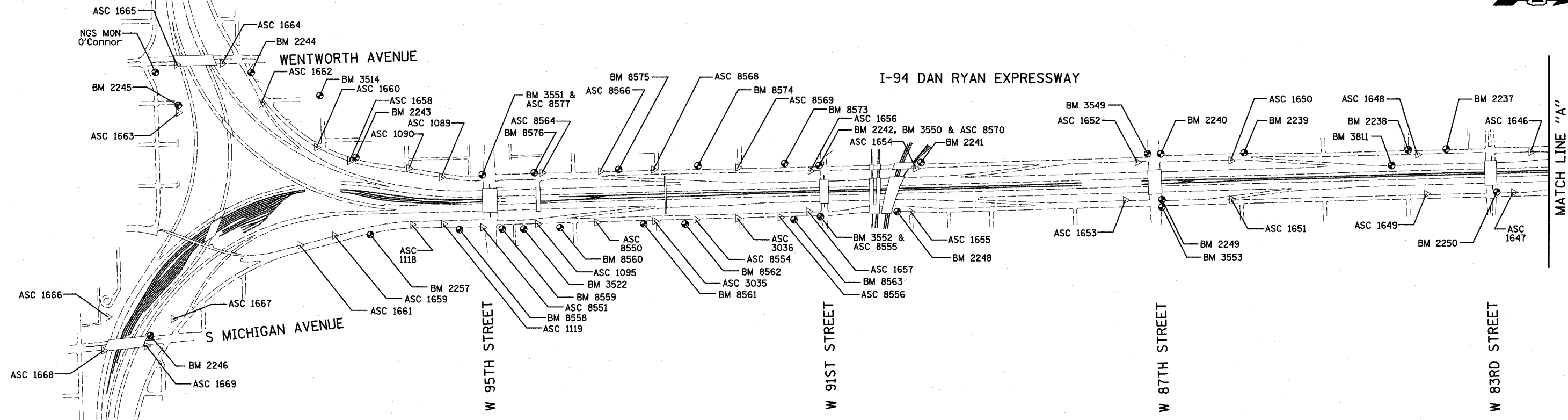
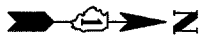


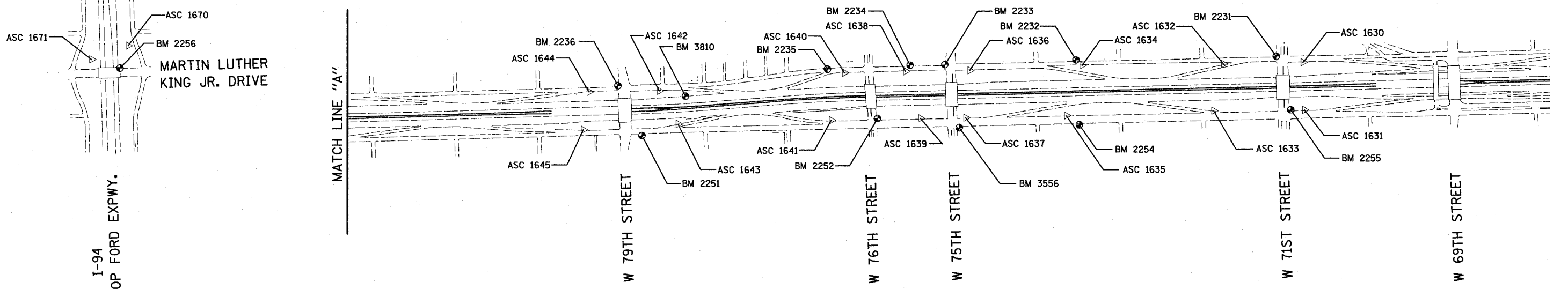
F.A.I. RTE.	SECTION	COUNTY	TOTAL SHEETS	SHEET NO.
94	1818 R-3	COOK	265	27
STA. 2316+00		TO STA. 2367+00		
FED. ROAD DIST. NO.		ILLINOIS FED. AID PROJECT		

60B17

I-57 EXPWY
SEE SHEET 2 OF 7
MATCH LINE "B"



I-94 DAN RYAN EXPRESSWAY



REVISIONS	
NAME	DATE

ILLINOIS DEPARTMENT OF TRANSPORTATION
F.A.I. 94 (DAN RYAN EXPRESSWAY)
SURVEY TIES FOR CONTROL POINTS
SHEET 1 OF 7

SCALE: 1"=400'
DATE: MARCH 7, 2006
DRAWN BY: GSP
CHECKED BY: MMW

American Surveying Consultants, P.C.
SURVEYORS-ENGINEERS-GEODETISTS-APPRAISERS
1637 Fifth St., Suite 1100, IL 61021 606 N. Northbrook Rd., Suite 100, IL 60062
312-291-0031 312-291-0031