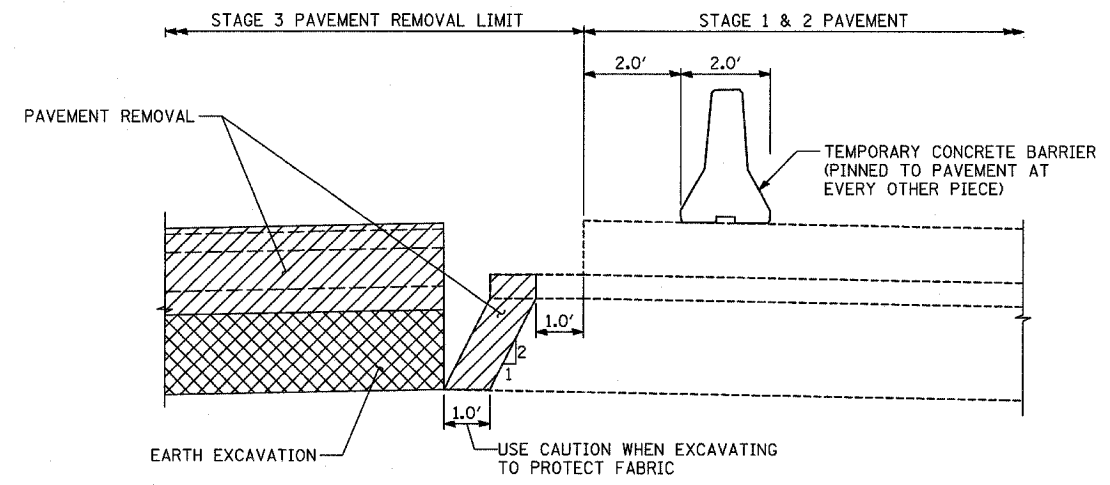
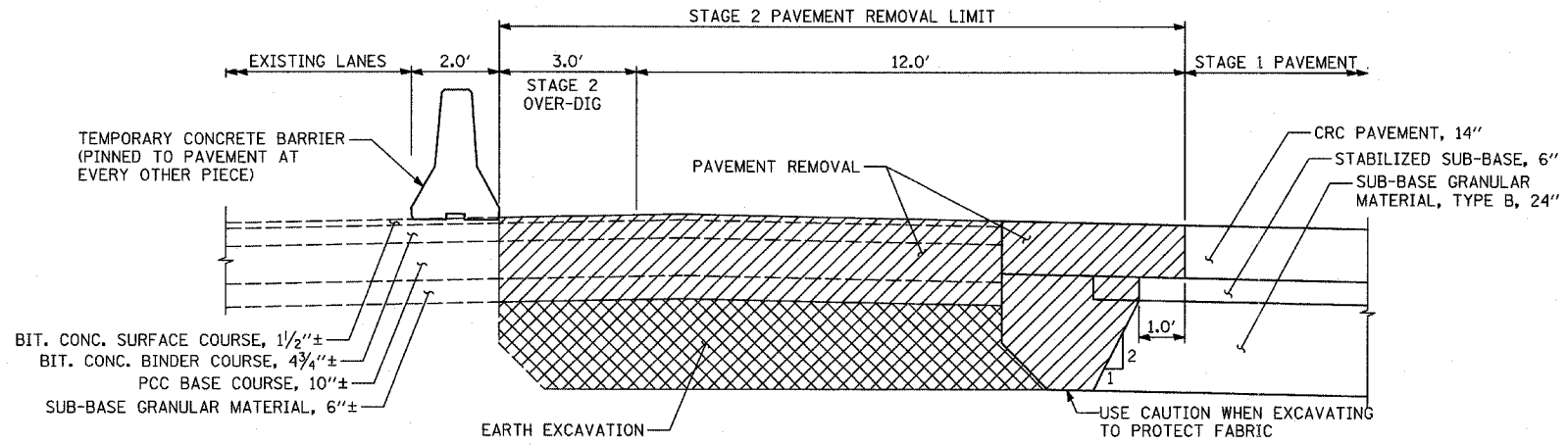


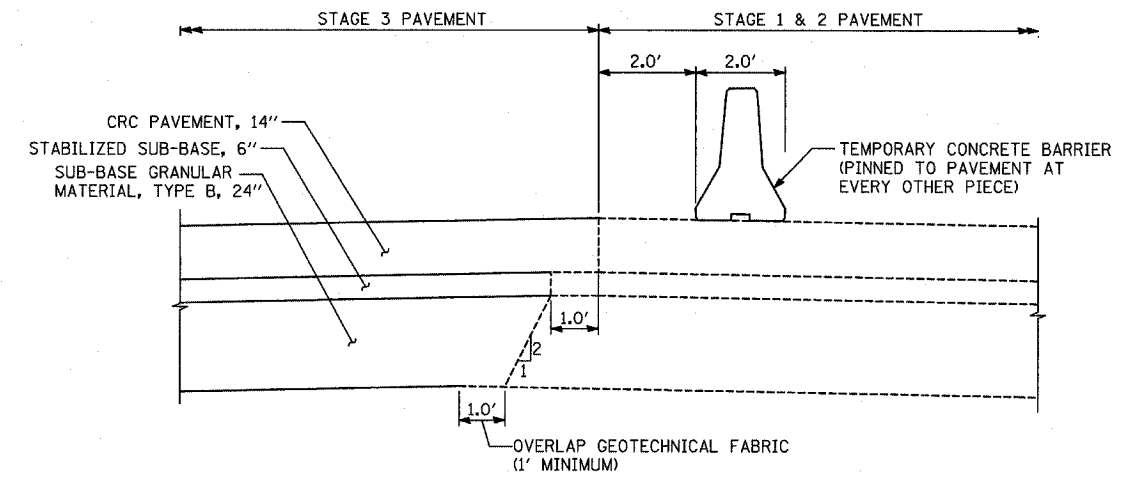
STAGE 1 PAVEMENT



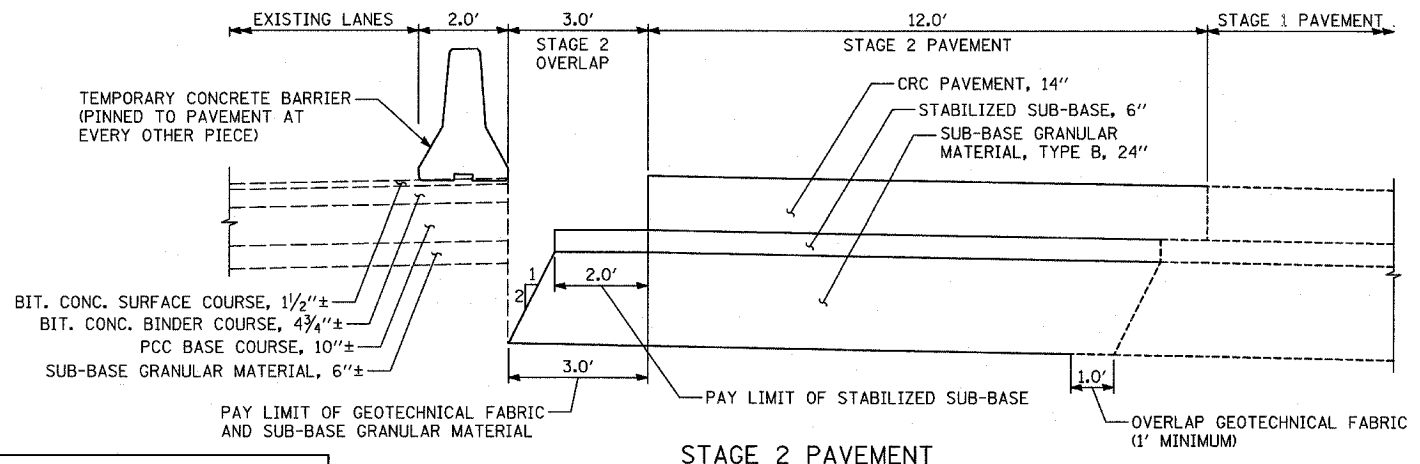
STAGE 3 REMOVAL



STAGE 2 REMOVAL & OVER-DIG



STAGE 3 PAVEMENT



STAGE 2 PAVEMENT

REVISIONS	
NAME	DATE

ILLINOIS DEPARTMENT OF TRANSPORTATION  
 F.A.I. 94 (DAN RYAN EXPRESSWAY)  
 MISCELLANEOUS DETAILS:  
 OVER-DIG AREAS  
 SCALE: AS SHOWN  
 DATE: MARCH 7, 2006  
 DRAWN BY: RTM  
 CHECKED BY: TCB