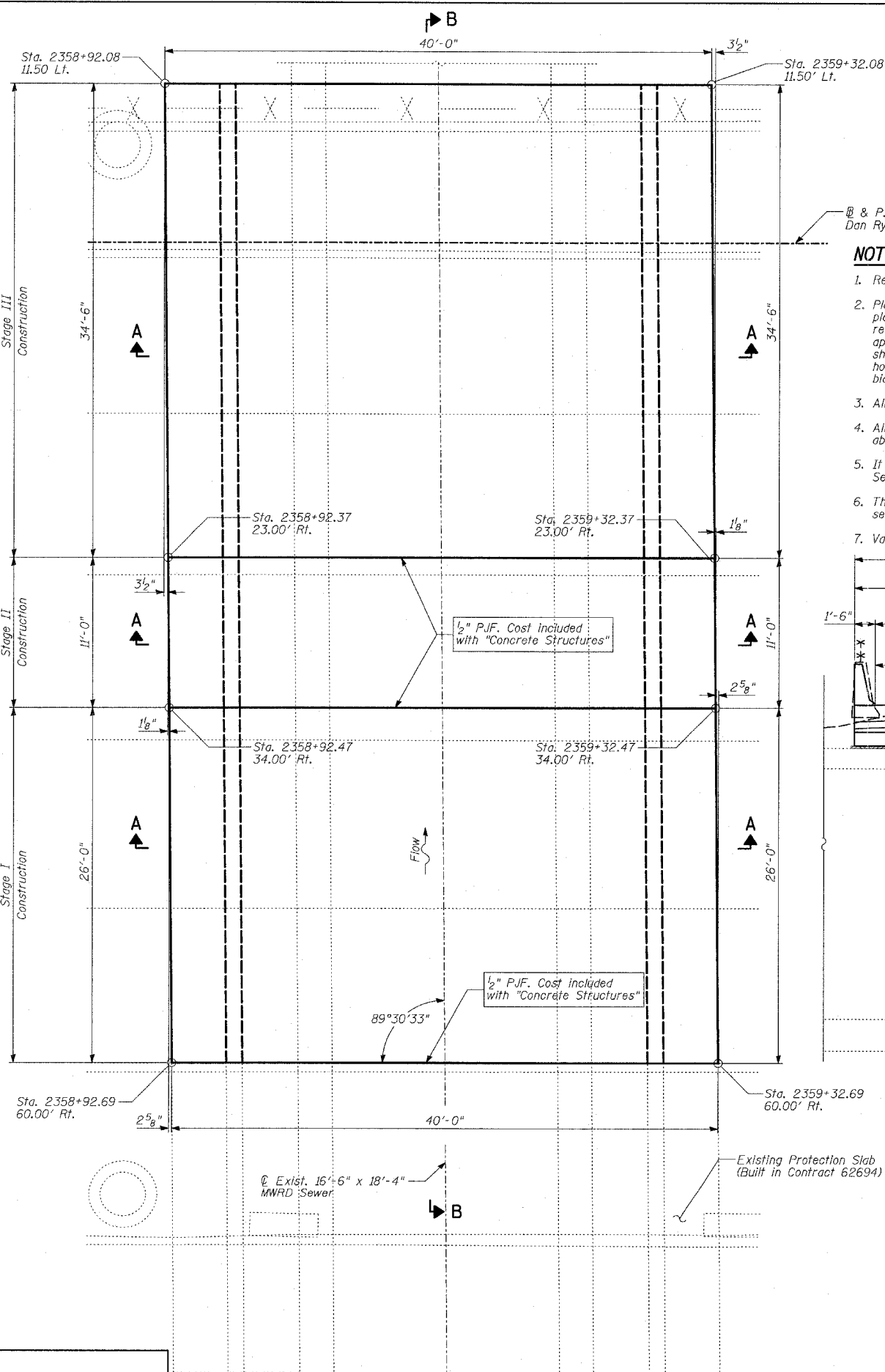


F.A.I. RTE.	SECTION	COUNTY	TOTAL SHEETS	SHEET NO.
94	1818 R-3	COOK	265	187
STA. 2316+00		TO STA. 2367+00		
FED. ROAD DIST. NO.		ILLINOIS FED. AID PROJECT		



DESIGN SPECIFICATION

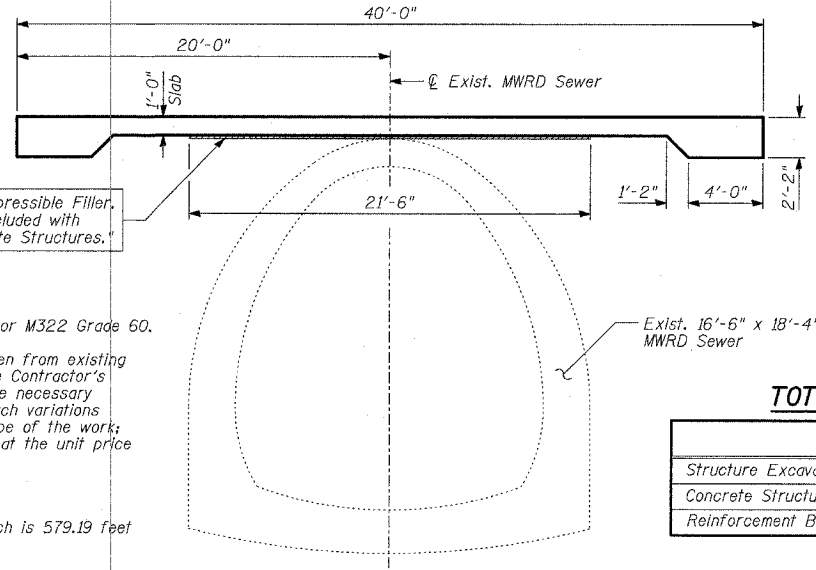
AASHTO 2002 Standard Specifications for Highway Bridges

DESIGN STRESSES

FIELD UNITS
 $f'_c = 3,500$ psi
 $f_y = 60,000$ psi (Reinforcement)

NOTES:

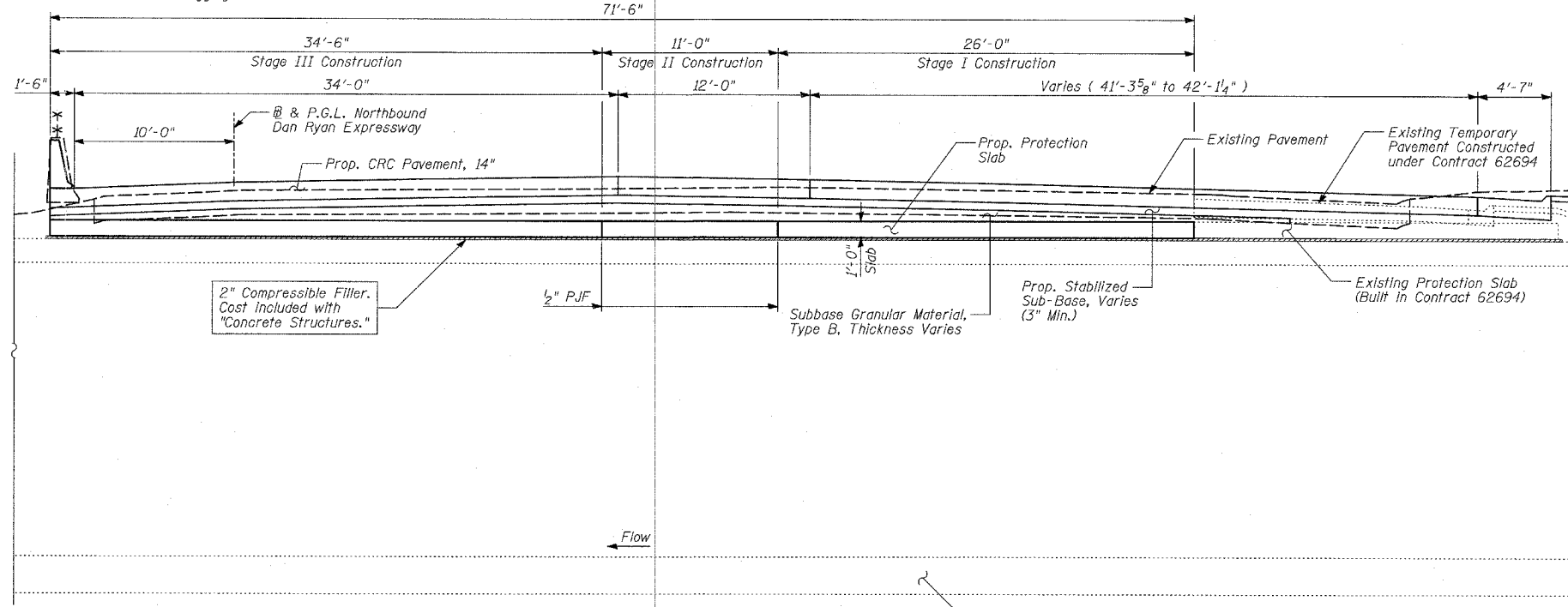
1. Reinforcement bars shall conform to the requirements of AASHTO M31 or M322 Grade 60.
2. Plan dimensions and details relative to existing structure have been taken from existing plans and are subject to nominal construction variations. It shall be the Contractor's responsibility to verify such dimensions and details in the field and make necessary approved adjustments prior to construction or ordering of materials. Such variations shall not be cause for additional compensation for a change in the scope of the work; however, the Contractor will be paid for the quantity actually furnished at the unit price bid for the work.
3. All exposed concrete edges shall be chamfered $\frac{3}{4}$ " except as noted.
4. All elevations shown are based on the Chicago City Datum of 0.00, which is 579.19 feet above mean tide New York. (NAVD 88)
5. It is the Contractor's responsibility to locate existing utilities, especially the existing MWRD Sewer. Any repairs due to damage of any utilities shall be the Contractor's responsibility.
6. The Contractor should use extreme caution to maintain the safety and integrity of the MWRD sewer during the construction process.
7. Vacuum or hand digging should be used within 2'-0" of sewer.



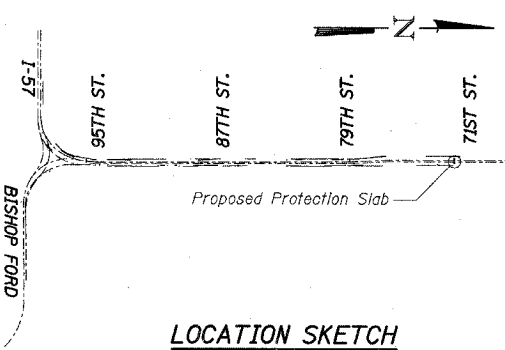
TOTAL BILL OF MATERIAL

ITEM	UNIT	TOTAL
Structure Excavation	CU YD	234
Concrete Structures	CU YD	135
Reinforcement Bars, Epoxy Coated	POUND	29,970

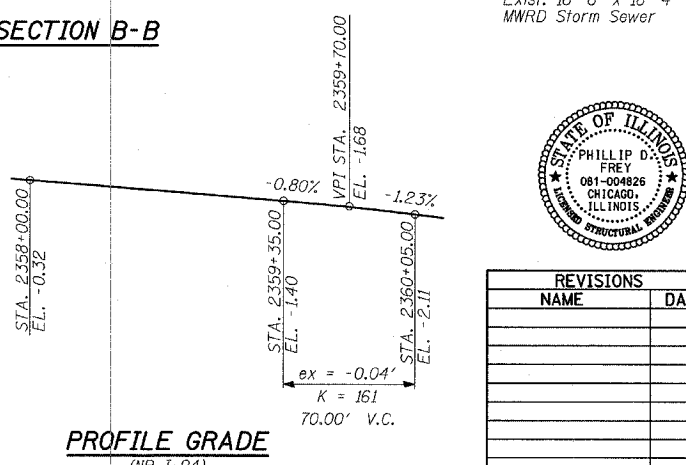
SECTION A-A



SECTION B-B



LOCATION SKETCH



PROFILE GRADE
(NB I-94)



Signed Phillip D. Frey
 Phillip D. Frey, S.E. II, Lic. No. 081-004826
 Expires 11-30-2006
 Date 3/7/06
 For drawings 1 thru 4 of 4

REVISIONS	
NAME	DATE

ILLINOIS DEPARTMENT OF TRANSPORTATION
 F.A.I. 94 (DAN RYAN EXPRESSWAY)
PROTECTION SLAB FOR EXISTING 16'-6" X 18'-4" MWRD SEWER
 STA. 2359+12.18
 S.N. DESIGNED BY: MI, MAF
 SCALE: DRAWN BY: MAF
 DATE: MARCH 7, 2006 CHECKED BY: TD, MI

TYLIN INTERNATIONAL

PLAN