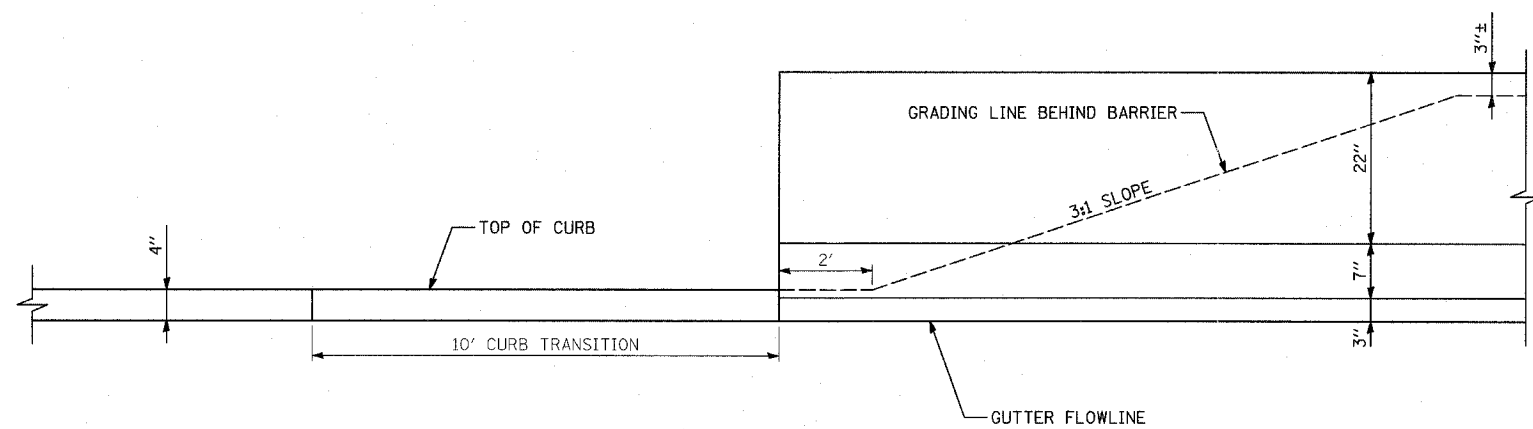
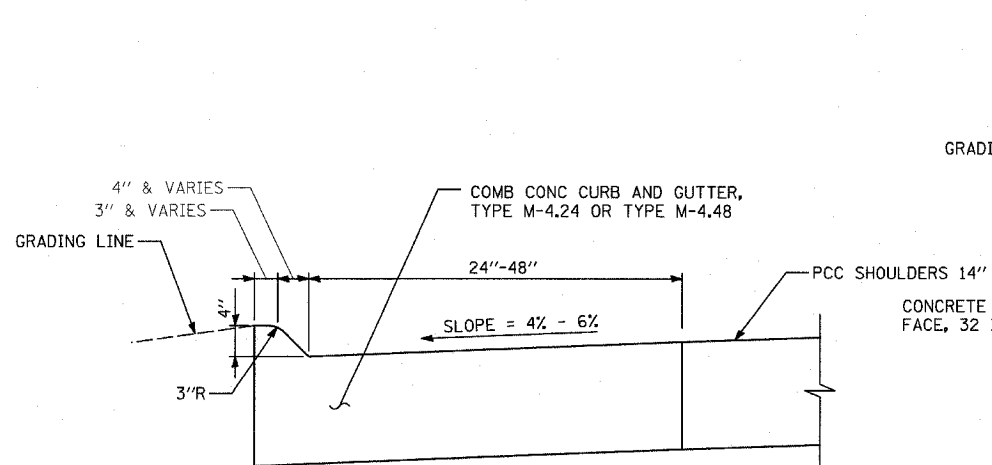


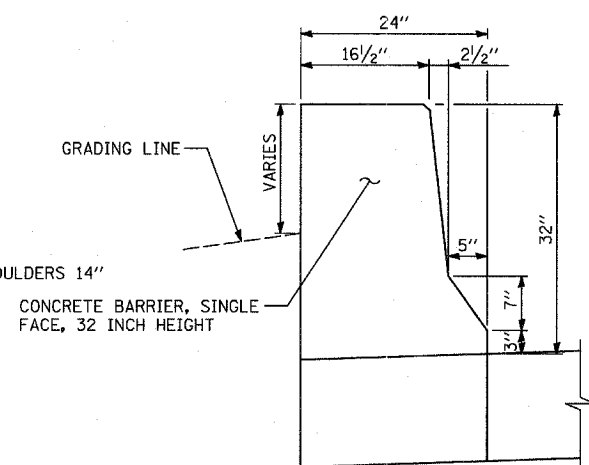
PLAN VIEW: GRADING AT END OF CONCRETE BARRIER



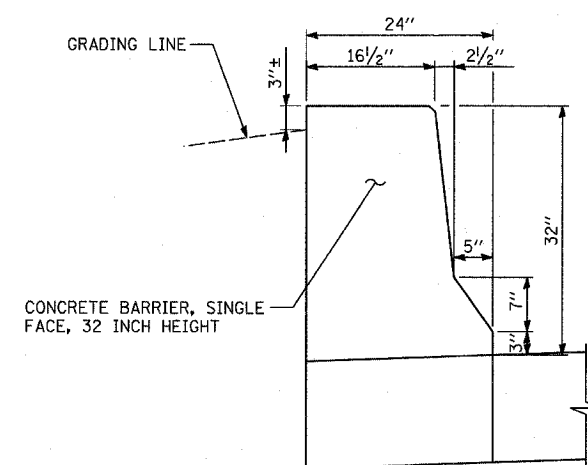
SECTION A-A: ELEVATION VIEW



SECTION B-B



SECTION C-C



SECTION D-D

NOTES:

- SEE DRAINAGE AND UTILITY PLANS, CROSS-SECTIONS, AND LANDSCAPING PLANS FOR GRADING LIMITS AND DETAILS.

REVISIONS	
NAME	DATE

ILLINOIS DEPARTMENT OF TRANSPORTATION  
F.A.I. 94 (DAN RYAN EXPRESSWAY)

MISCELLANEOUS DETAILS  
GRADING DETAIL AT END  
OF CONCRETE BARRIER

SCALE: NONE  
DATE: MARCH 1, 2006  
DRAWN BY: MPG  
CHECKED BY: TGB