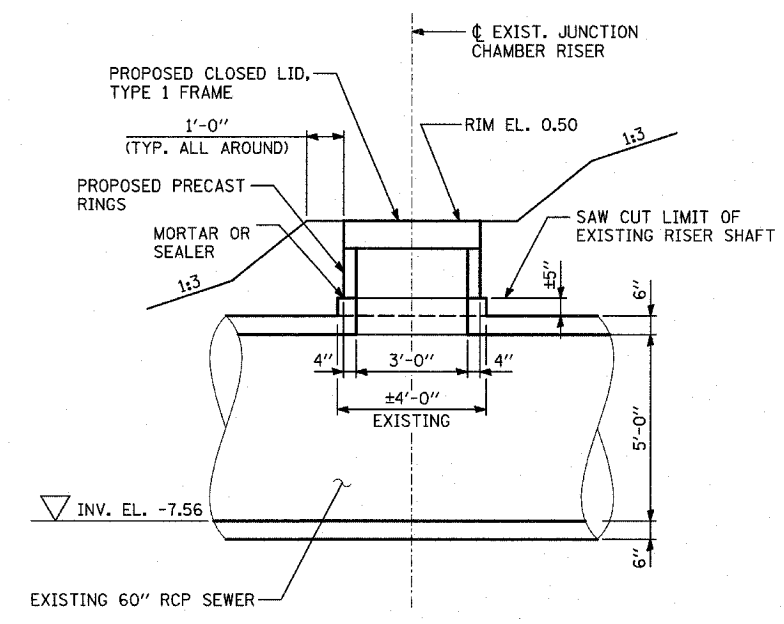
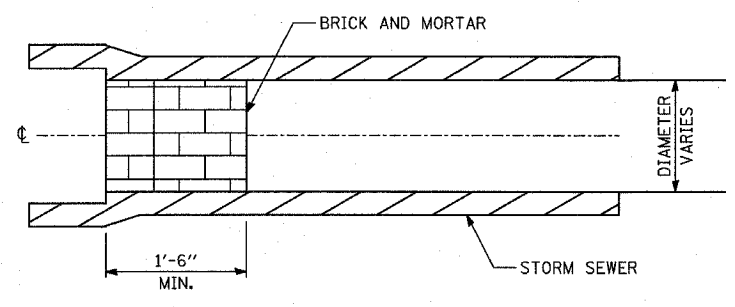


PIPE UNDERDRAIN 6", AT ROADWAY SAGS



RISER SHAFT RECONSTRUCTION DETAIL

NOTE:
1. TO BE PAID FOR AS "MANHOLES TO BE RECONSTRUCTED"



STORM SEWER PLUG

- NOTES:**
1. THIS WORK CONSISTS OF FURNISHING BRICKS AND MORTAR AS SHOWN AND AS DIRECTED BY THE ENGINEER AT LOCATIONS SHOWN IN THE PLANS TO PLUG THE EXISTING AND/OR PROPOSED STORM SEWER LATERAL STUBS. THIS PLUG WILL BE REMOVED BY OTHERS FOR FUTURE EXTENSION OF THE STORM SEWER.
 2. THIS WORK SHALL NOT BE PAID FOR SEPARATELY, PER ARTICLE 550.05.

TYLIN INTERNATIONAL

REVISIONS	
NAME	DATE

ILLINOIS DEPARTMENT OF TRANSPORTATION
F.A.I. 94 (DAN RYAN EXPRESSWAY)

DRAINAGE DETAILS
SHEET 3 OF 3

SCALE: NONE
DATE: MARCH 1, 2006

DRAWN BY: DM
CHECKED BY: DA