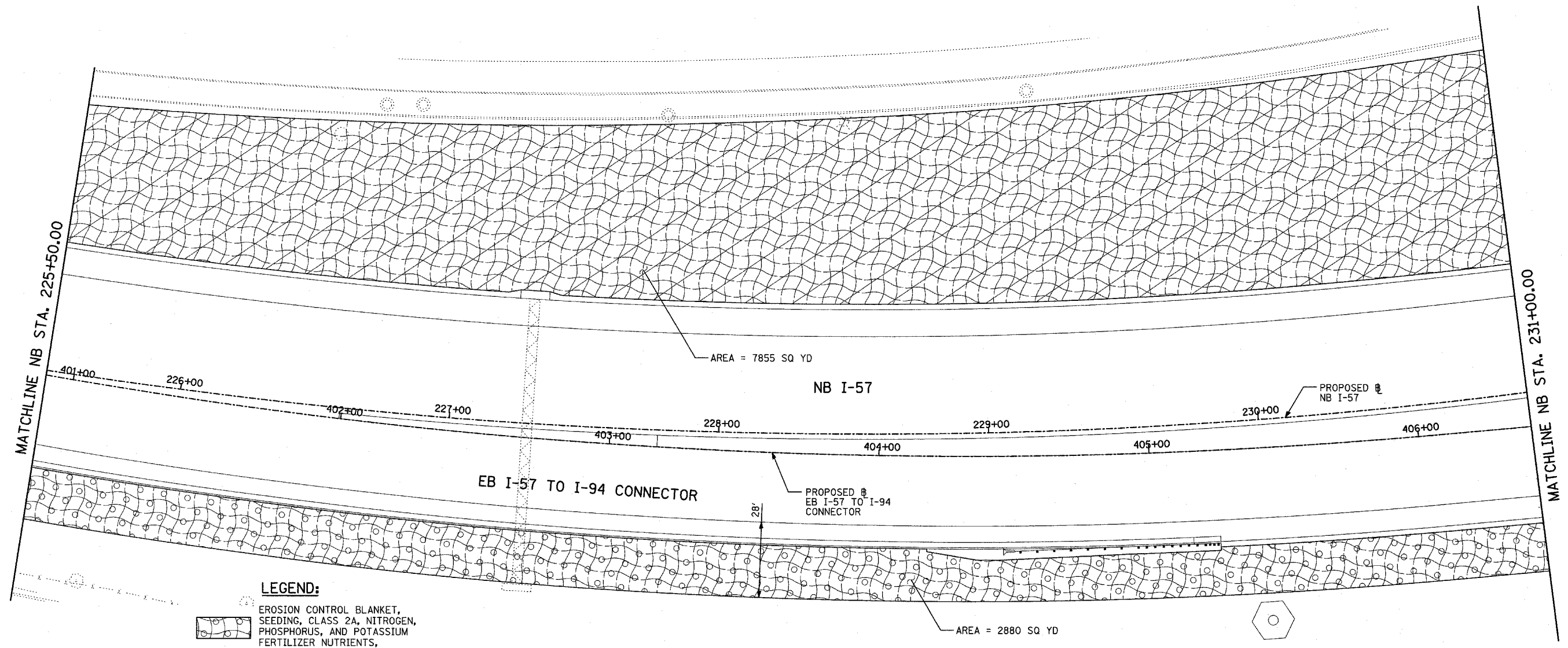
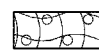
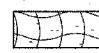
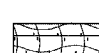
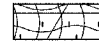
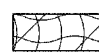



F.A.I. RTE.	SECTION	COUNTY	TOTAL SHEETS	SHEET NO.
94	*	COOK	916	449
STA. 190+65 (NB I-57) TO STA. 2316+00 (NB RYAN)				
FED. ROAD DIST. NO. ILLINOIS FED. AID PROJECT				
* (1516.L, 1717, & 1818) R-4				

62304

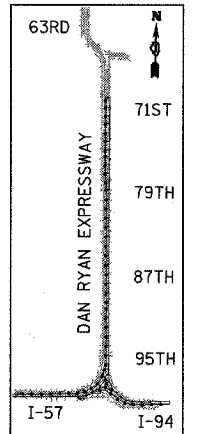


LEGEND:

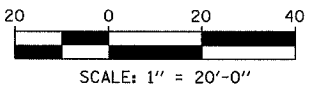
-  EROSION CONTROL BLANKET, SEEDING, CLASS 2A, NITROGEN, PHOSPHORUS, AND POTASSIUM FERTILIZER NUTRIENTS, TOPSOIL FURNISH AND PLACE, 4"
-  EROSION CONTROL BLANKET, SEEDING, CLASS 2A, NITROGEN, PHOSPHORUS, AND POTASSIUM FERTILIZER NUTRIENTS, TOPSOIL FURNISH AND PLACE, 12" COMPOST FURNISH AND PLACE, 6"
-  EROSION CONTROL BLANKET, SEEDING, CLASS 4 (MODIFIED), TOPSOIL FURNISH AND PLACE, 12" COMPOST FURNISH AND PLACE, 6"
-  EROSION CONTROL BLANKET, SEEDING, CLASS 4 (MODIFIED), SEEDING, CLASS 5A (MODIFIED) TOPSOIL FURNISH AND PLACE, 12" COMPOST FURNISH AND PLACE, 6"
-  EROSION CONTROL BLANKET, SEEDING, CLASS 4A (MODIFIED), SEEDING, CLASS 5 (MODIFIED), TOPSOIL FURNISH AND PLACE, 12" COMPOST FURNISH AND PLACE, 6"
-  NITROGEN, PHOSPHORUS, AND POTASSIUM FERTILIZER NUTRIENTS, TOPSOIL FURNISH AND PLACE, 12" COMPOST FURNISH AND PLACE, 6" 4" MULCH BED PRE-EMERGENT GRANULAR HERBICIDE

LANDSCAPING GENERAL PLAN NOTES:

1. THE CONTRACTOR SHALL USE CARE IN GRADING OR EXCAVATING NEAR ANY AND ALL EXISTING ITEMS WHICH WILL NOT BE REMOVED. ANY DAMAGE DONE TO EXISTING ITEMS BY THE CONTRACTOR SHALL BE REPAIRED BY THE CONTRACTOR AT THE CONTRACTOR'S EXPENSE.
2. THE SEEDING DATES FOR BARE EARTH SEEDING OF MIXTURE CLASS 2A SHALL BE FROM APRIL 1 TO JUNE 1 AND FROM AUGUST 15 TO SEPTEMBER 30. ALL SEEDING NOT SOWN ACCORDING TO THE SPECIFIED SEASONAL DATE SHALL REQUIRE PRIOR APPROVAL FROM THE ENGINEER. FAILURE TO SECURE SUCH APPROVAL SHALL RESULT IN THE REJECTION OF THE SEEDING AND REPLACEMENT BY THE CONTRACTOR AS HIS/HER EXPENSE.
3. AREAS TO BE SEEDD BETWEEN NOVEMBER 1 AND APRIL 1 SHALL REQUIRE DORMANT SEEDING, WHICH SHALL BE INCLUDED IN THE COST OF SEEDING CLASS 2A, SEEDING CLASS 4 (MODIFIED), OR SEEDING CLASS 5 (SPECIAL)
4. THE SEEDING DATES FOR BARE EARTH SEEDING OF MIXTURE CLASSES 4 AND 5 SHALL BE FROM APRIL 15 TO JUNE 30 AND FROM OCTOBER 15 TO DECEMBER 1. ALL SEEDING NOT SOWN ACCORDING TO THE SPECIFIED SEASONAL DATE SHALL REQUIRE PRIOR APPROVAL FROM THE ENGINEER. FAILURE TO SECURE SUCH APPROVAL SHALL RESULT IN THE REJECTION OF THE SEEDING AND REPLACEMENT BY THE CONTRACTOR AS HIS/HER EXPENSE.
5. THE CONTRACTOR SHALL TAKE ALL NECESSARY PRECAUTIONS FOR THE PROTECTION OF EXISTING PLANT MATERIAL FOR WHICH THE CONTRACT DOES NOT PROVIDE REMOVAL. THE PROTECTION OF EXISTING PLANT MATERIAL AND THE REPAIR OR REPLACEMENT OF EXISTING PLANT MATERIAL DAMAGED BY THE CONTRACTOR SHALL BE DONE IN ACCORDANCE WITH THE REQUIREMENTS OF SECTION 201 OF THE STANDARD SPECIFICATIONS.
6. LAYOUT OF LANDSCAPED AREAS WILL REQUIRE APPROVAL OF THE ENGINEER PRIOR TO TOPSOIL PLACEMENT, SEEDING, AND PLANTING.



LOCATION MAP



REVISIONS	
NAME	DATE

ILLINOIS DEPARTMENT OF TRANSPORTATION
F.A.I. 94 (DAN RYAN EXPRESSWAY)
LANDSCAPING PLAN
NB I-57
STA. 225+50.00 TO 231+00.00
(SHEET 4 OF 28)

SCALE: 1"=20'
DATE: MARCH 7, 2006
DRAWN BY: JJS
CHECKED BY: MPG

TYLIN INTERNATIONAL

03/03/2006 09:21:51 AM