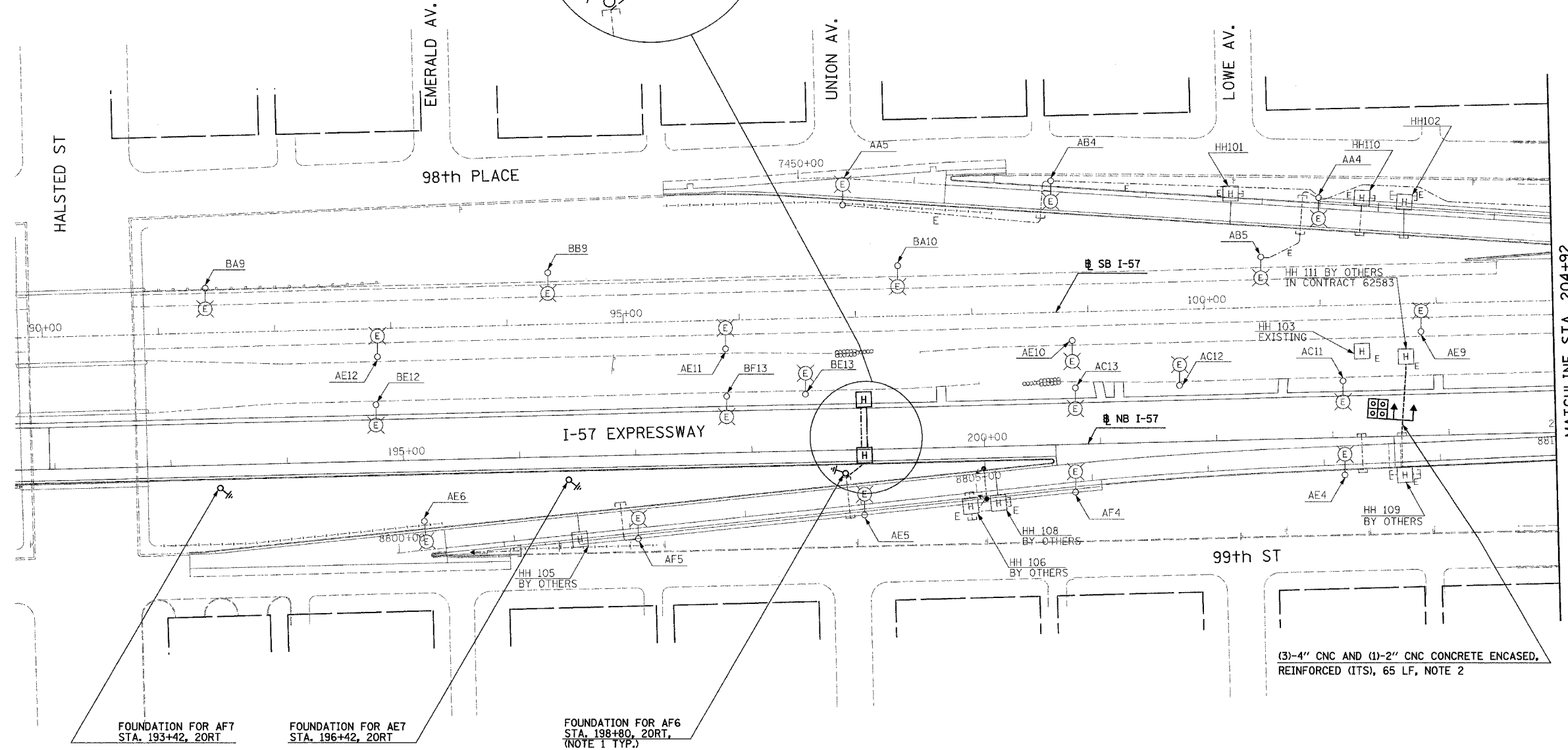
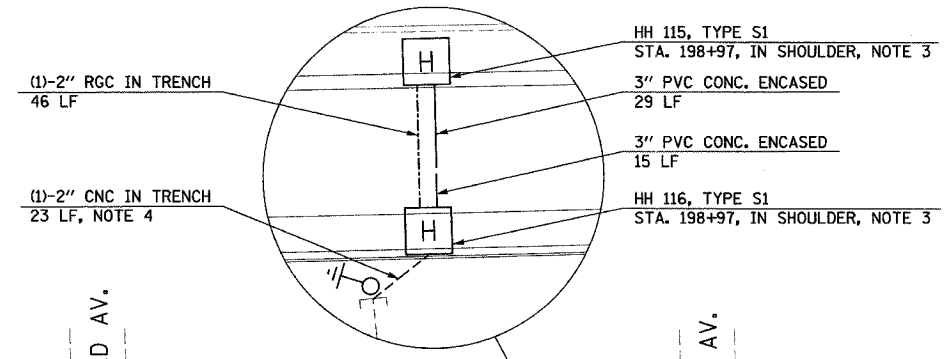


F.A.I. RTE.	SECTION	COUNTY	TOTAL SHEETS	SHEET NO.
94	*	COOK	9/6	498
STA. 191+66		TO STA. 204+92		
FED. ROAD DIST. NO.		ILLINOIS FED. AID PROJECT		
* (1516.1, 1717, & 1818) R-4		62304		



NOTES:

1. PROVIDE FOUNDATIONS FOR CONVENTIONAL LIGHT POLES AS SHOWN ON SHEET E-301. POLES AND WIRING SHALL BE FURNISHED AND INSTALLED BY OTHERS UNDER CONTRACT 62937.
2. REFER TO SHEET EI-102 FOR DUCTBANK INSTALLATION DETAILS. TIE INTO EXISTING DUCTBANK INSTALLED BY OTHERS IN CONTRACT 62694 FROM HH109.
3. REFER TO SHEET EI-106 AND EI-110 FOR HANDHOLE DETAIL.
4. TERMINATE 2" CNC CONDUIT IN DUCTBANK. DUCTBANK PROVIDED UNDER CONTRACT 62694.
5. REFER TO SHEET EI-115 FOR DETECTOR STATION LAYOUT.

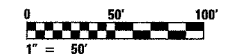


(3)-4" CNC AND (1)-2" CNC CONCRETE ENCASED, REINFORCED (ITS), 65 LF, NOTE 2

FOUNDATION FOR AF7
STA. 193+42, 20RT

FOUNDATION FOR AE7
STA. 196+42, 20RT

FOUNDATION FOR AF6
STA. 198+80, 20RT,
(NOTE 1 TYP.)



20/EI-01

REVISIONS	
NAME	DATE

ILLINOIS DEPARTMENT OF TRANSPORTATION
F.A.I. 94 (DAN RYAN EXPRESSWAY)

ELECTRICAL INFRASTRUCTURE PLANS
PROPOSED IMPROVEMENTS
STA. 191+66 TO STA. 204+92

SCALE: 1"=50' DRAWN BY: VK
DATE: MARCH 7, 2006 CHECKED BY: TM

SINGH
SINGH & ASSOCIATES, INC.
CONSULTING ENGINEERS

300 W. ADAMS ST.
CHICAGO, IL 60606
TEL: (312) 529-0240
FAX: (312) 629-8449

3/7/2006 1:43:21 PM