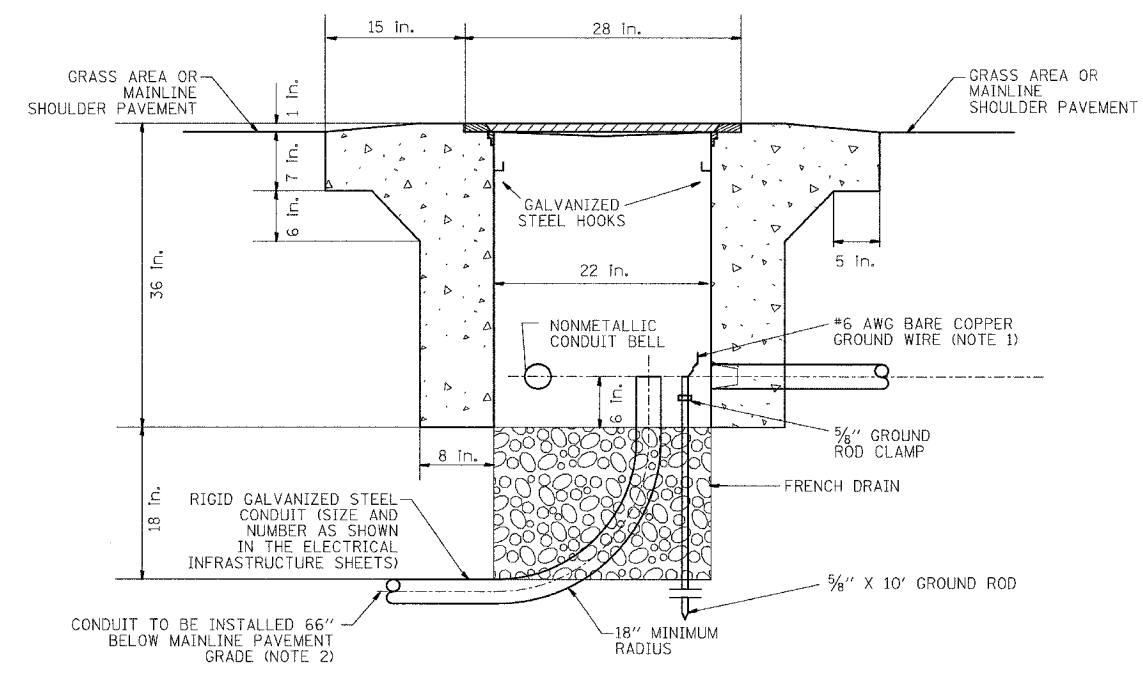
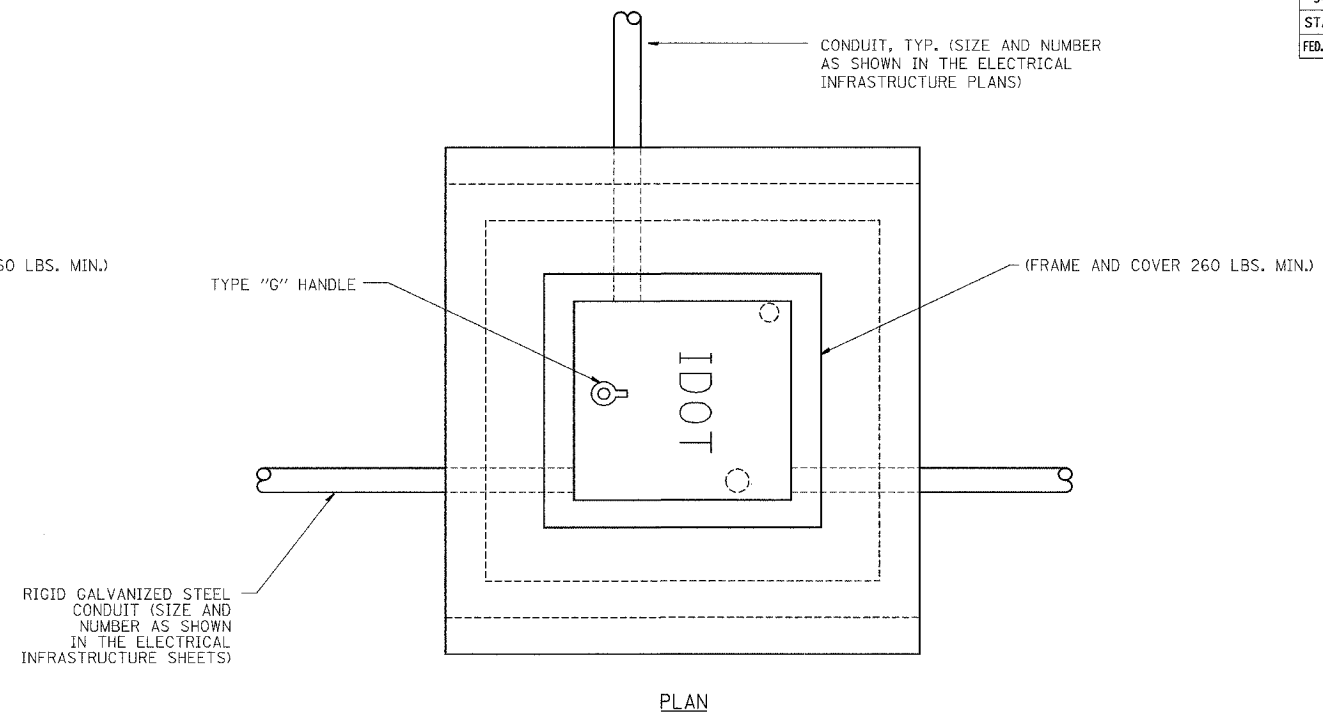
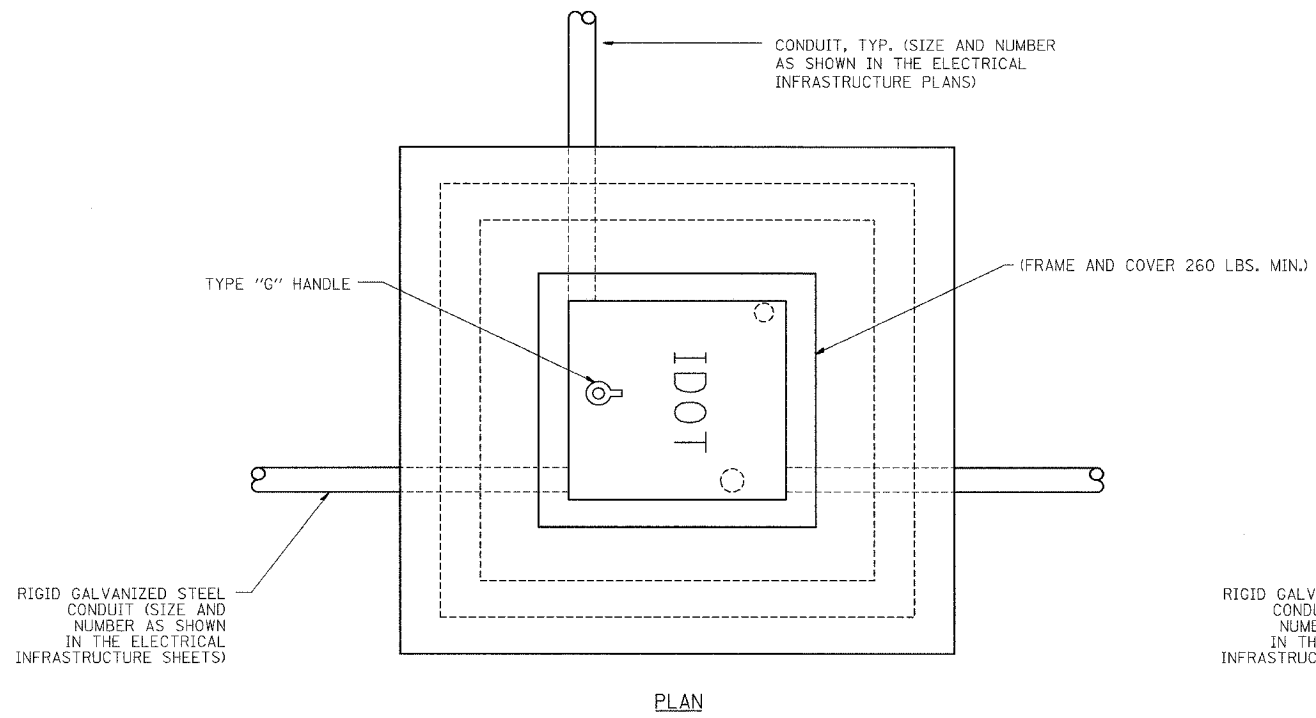
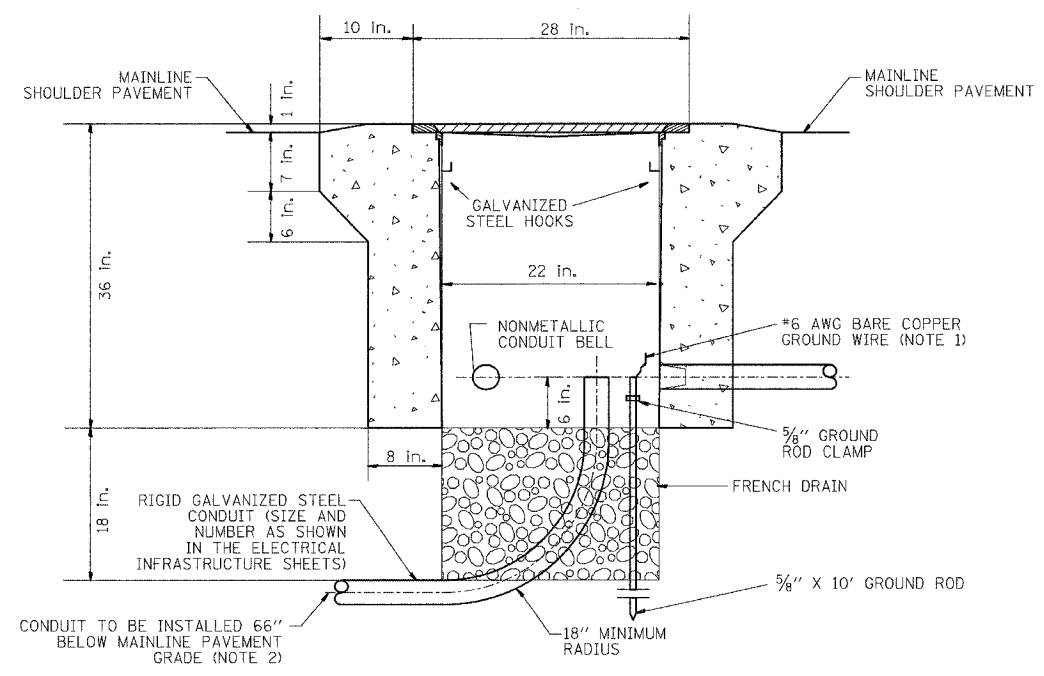


F.A.I. RTE.	SECTION	COUNTY	TOTAL SHEETS	SHEET NO.
94	*	COOK	916	519
STA.		TO STA.		
FED. ROAD DIST. NO.		ILLINOIS FED. AID PROJECT		
* (1516.1, 1717, & 1818) R-4		62304		

JAV'S contract 20 details 20/EI-106 rev 1/06



**PC CONCRETE
HEAVY DUTY HANDHOLE, TYPE S1**
(FOR INSTALLATION IN
MAINLINE SHOULDER WIDER THAN 6' OR
BEHIND PAVED AREA)



**PC CONCRETE
HEAVY DUTY HANDHOLE, TYPE S1 (SPECIAL)**
(FOR INSTALLATION IN
MAINLINE SHOULDER NARROWER
THAN 6', 4' MINIMUM WIDTH)

NOTE:

1. ALL METALLIC ELEMENTS SHALL BE GROUND IN ACCORDANCE WITH THE NATIONAL ELECTRIC CODE (NEC), SECTION 250, GROUNDING. METAL COVERS AND OTHER EXPOSED CONDUCTIVE SURFACES SHALL BE BONDED IN ACCORDANCE WITH NEC ARTICLE 250.96 (A).
2. CONDUIT TO BE INSTALLED BELOW MAINLINE PAVEMENT WHERE SHOWN IN THE ELECTRICAL INFRASTRUCTURE PLANS (SEE SHEET EI-110).

SINGH
SINGH & ASSOCIATES, INC.
CONSULTING ENGINEERS

300 W. ADAMS ST.
CHICAGO, IL 60606
TEL: (312) 629-0240
FAX: (312) 629-8449

REVISIONS	
NAME	DATE

ILLINOIS DEPARTMENT OF TRANSPORTATION
F.A.I. 94 (DAN RYAN EXPRESSWAY)

PC CONCRETE - HEAVY
DUTY HANDHOLE DETAIL,
TYPE S1 AND TYPE S1 (SPECIAL)

SCALE: NTS
DATE: MARCH 7, 2006

DRAWN BY: CJH
CHECKED BY: MJL

3-49/24 PM 3/7/2006

20/EI-106