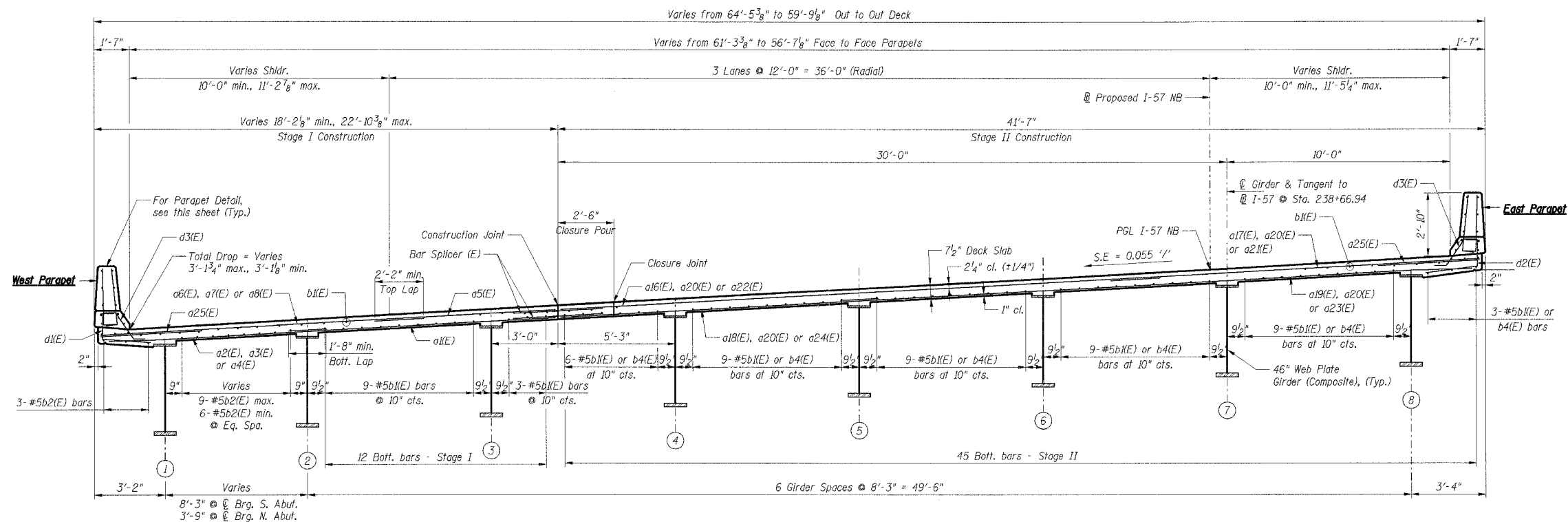
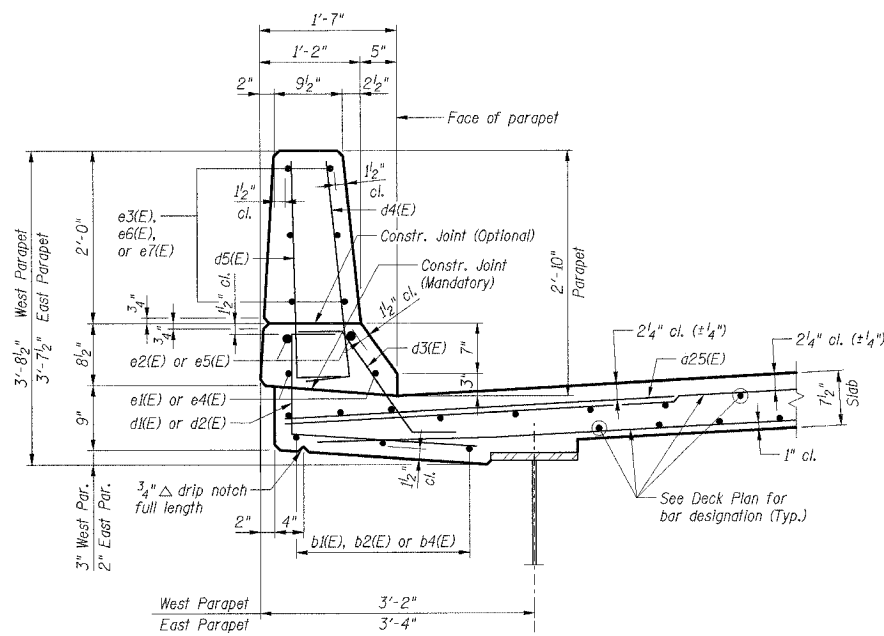


F.A.I. RTE.	SECTION	COUNTY	TOTAL SHEETS	SHEET NO.
57	COOK	916	591	
STA. TO STA.		FED. AID PROJECT		
CONTRACT NO. 62304		ILLINOIS		
(1516.1, 1717, & 1818) R-4				

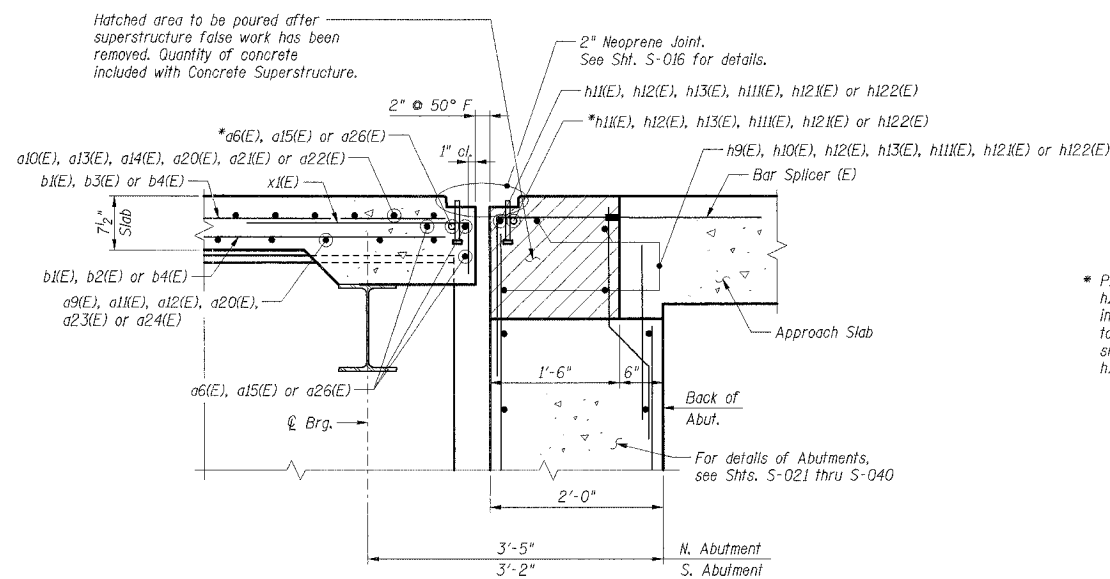


SECTION A-A

- Notes:**
1. Reinforcement bars designated (E) shall be epoxy coated.
 2. All edges shall have $\frac{3}{4}$ " chamfer.
 3. All Construction and Closure joints shall be bonded.
 4. Work this sheet with Shfs. S-013 & S-015.



TYPICAL PARAPET DETAIL



SECTION B-B

* Place a6(E), a15(E), a26(E), h11(E), h12(E), h13(E), h11(E), h12(E) or h122(E) bars in back of anchor bolt as shown if required to maintain 1" cl. (+0-1/8"). Anchor bolts should be tied to a6(E), a15(E), a26(E), h11(E), h12(E), h13(E), h11(E), h12(E) or h122(E) bars.

SHT. S-014

REVISIONS	
NAME	DATE

ILLINOIS DEPARTMENT OF TRANSPORTATION
 F.A.I. ROUTE 57 (INTERSTATE 57)
 I-57 NB OVER WB CONNECTOR
 SN 016-0072 OLD, SN 016-2852 NEW
 STA. 238+73.54
 COOK COUNTY, SECTION (1516.1, 1717, & 1818) R-4
 DECK CROSS SECTION &
 SUPERSTRUCTURE DETAILS
 DATE: 03/07/06
 DRAWN BY: HBJ
 CHECKED BY: RDS

TENG

TENG & ASSOCIATES, INC.
 ENGINEERS ARCHITECTS PLANNERS
 205 N. MICHIGAN AVE., CHICAGO, IL 60601
 TELEPHONE 312.616.0000

I:\BRIDGE\DRAWING\STRUCT\CON\STRUCT\NIGRA\SUB\000\WED.DGN
 3-01-2006 15:58:01
 UBC1C