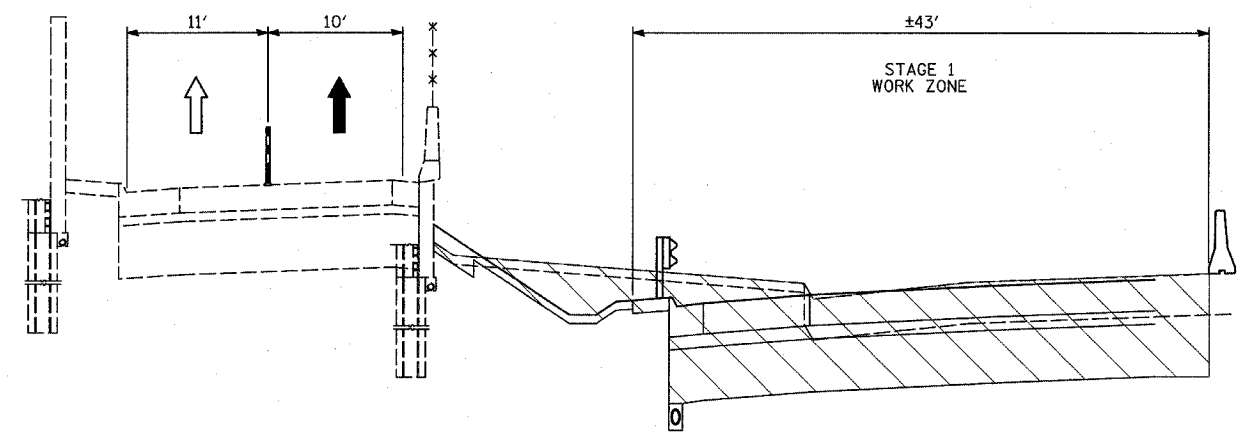
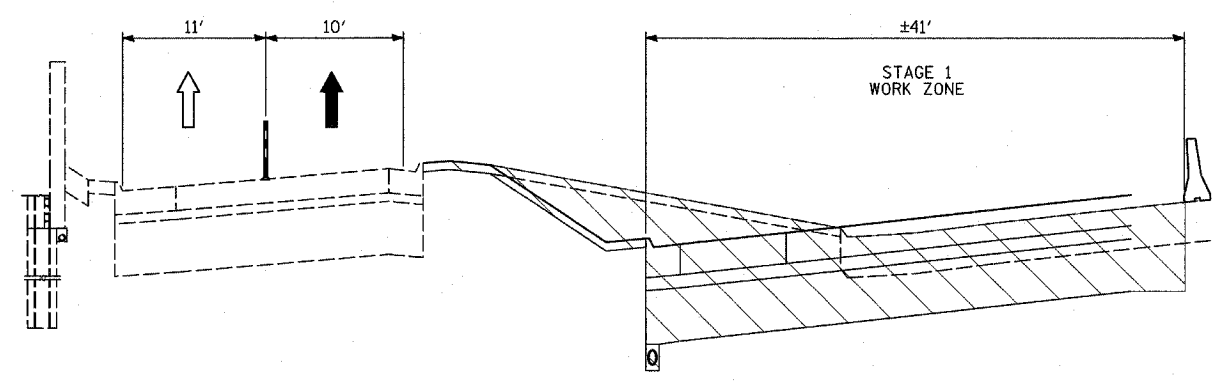




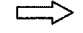
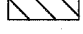

TYPICAL CROSS SECTION OF WORK ZONE EGRESS AT HALSTED ST. EXIT



TYPICAL CROSS SECTION OF WORK ZONE EGRESS AT 95TH ST. EXIT



TYPICAL CROSS SECTION OF WORK ZONE EGRESS AT WENTWORTH AVE. EXIT

- LEGEND:**
-  TEMPORARY CONCRETE BARRIER
 -  TRAFFIC LANE
 -  CONSTRUCTION TRAFFIC
 -  WORK ZONE
 -  FLEXIBLE DELINEATORS

TYLIN INTERNATIONAL

REVISIONS	
NAME	DATE

ILLINOIS DEPARTMENT OF TRANSPORTATION
 F.A.I. 94 (DAN RYAN EXPRESSWAY)
 GENERAL NOTES
 CONSTRUCTION STAGING NOTES
 MAINTENANCE OF TRAFFIC DETAILS
 SHEET 11 OF 12

SCALE: NO SCALE
 DATE: MARCH 1, 2006

DRAWN BY: RTM
 CHECKED BY: TGB