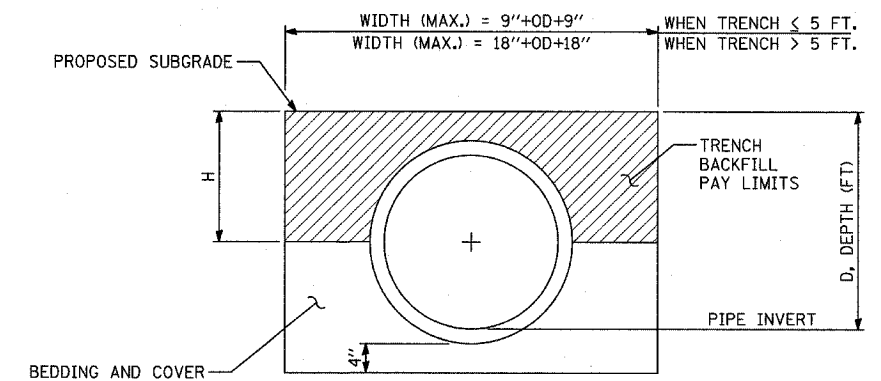


THE PROPOSED CONCRETE COLLAR SHALL OVERLAP EACH STORM SEWER PIPE A MINIMUM OF 1 FOOT.

CLASS SI CONCRETE COLLAR

NOTES:

1. IN ORDER TO MAINTAIN CONTINUOUS DRAINAGE THROUGHOUT THE CONSTRUCTION AREA, TEMPORARY CONNECTIONS SHALL BE PROVIDED TO CONNECT PROPOSED STORM SEWER LATERALS TO THE EXISTING STORM SEWER LATERALS. THE CONTRACTOR SHALL CONSTRUCT THESE TEMPORARY CONNECTIONS IN ACCORDANCE WITH ONE OF THE TWO OPTIONS DETAILED ABOVE.
2. THE TOTAL COST OF INSTALLING THE TEMPORARY CONNECTIONS IS NOT PAID FOR SEPARATELY, BUT SHALL BE INCLUDED IN THE COST OF THE SEWER PAY ITEM.



TRENCH BACKFILL DETAIL

REVISIONS	
NAME	DATE