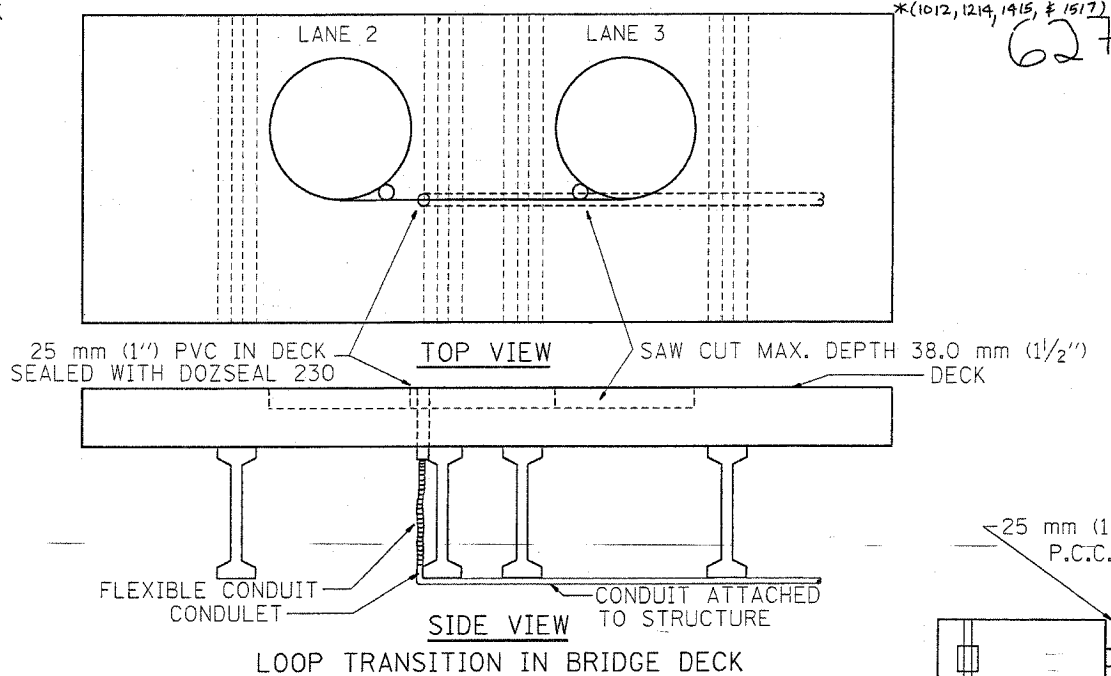
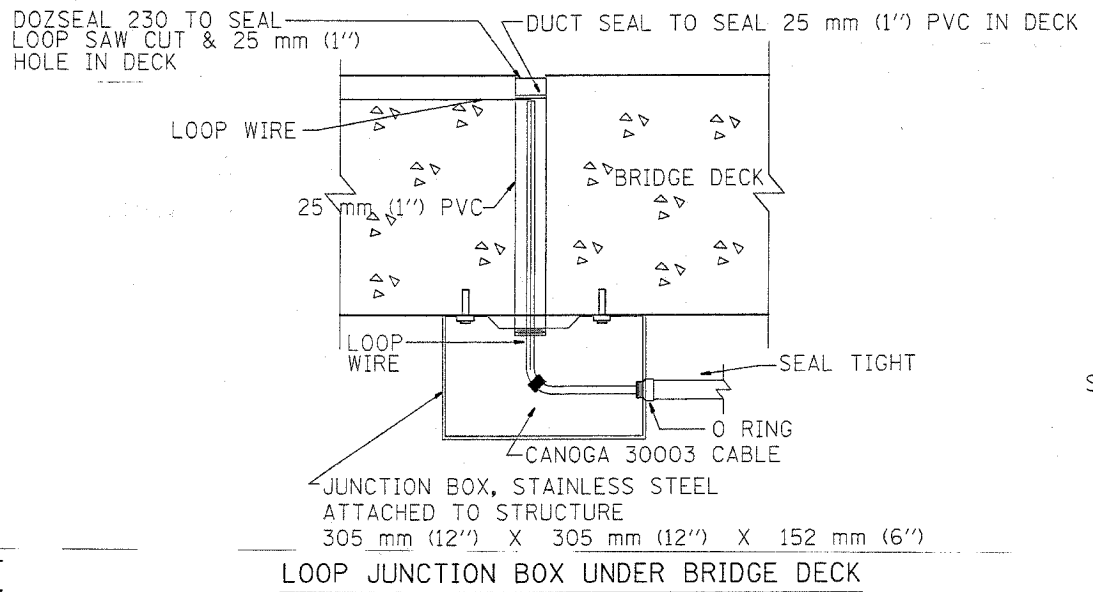
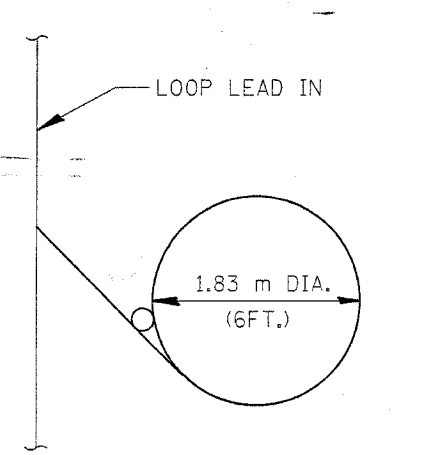


F.A.I. RTE.	SECTION	COUNTY	TOTAL SHEETS	SHEET NO.
90	*	COOK	81	59
STA.		TO STA.		
FED. ROAD DIST. NO.		ILLINOIS FED. AID PROJECT		

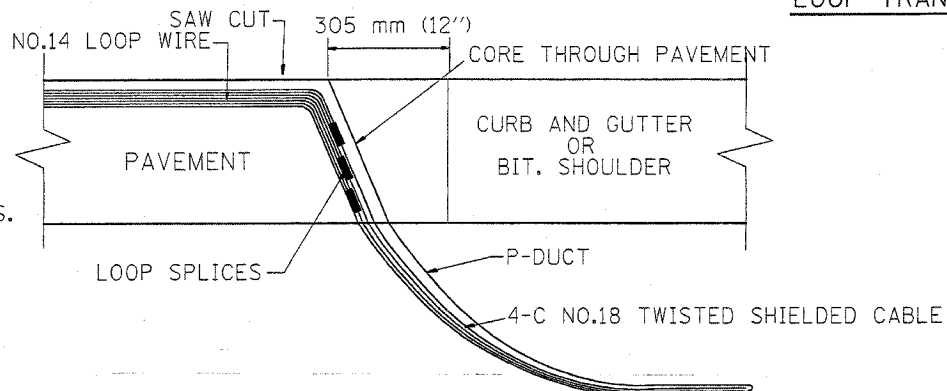
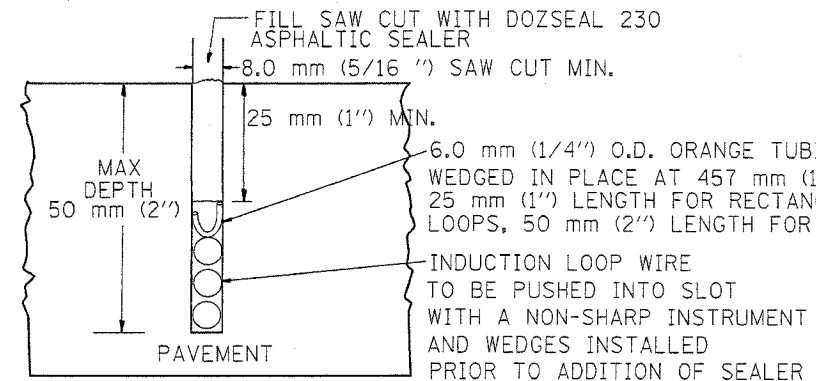
* (1012, 1214, 1415, & 1517) R 5-3
62746



TYPICAL LOOP SAWCUT LAYOUT

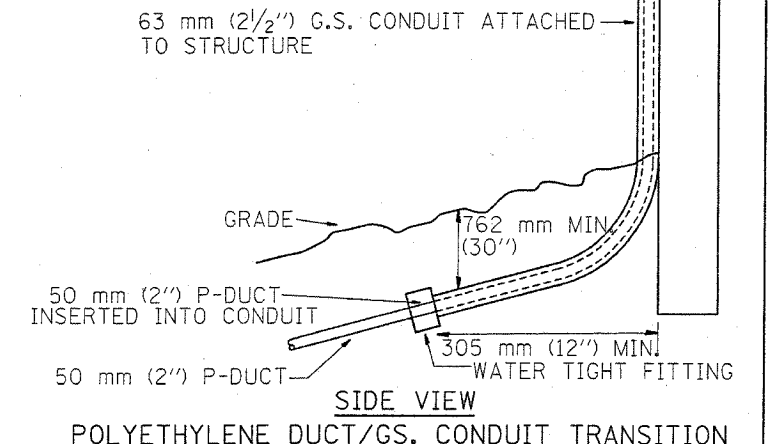
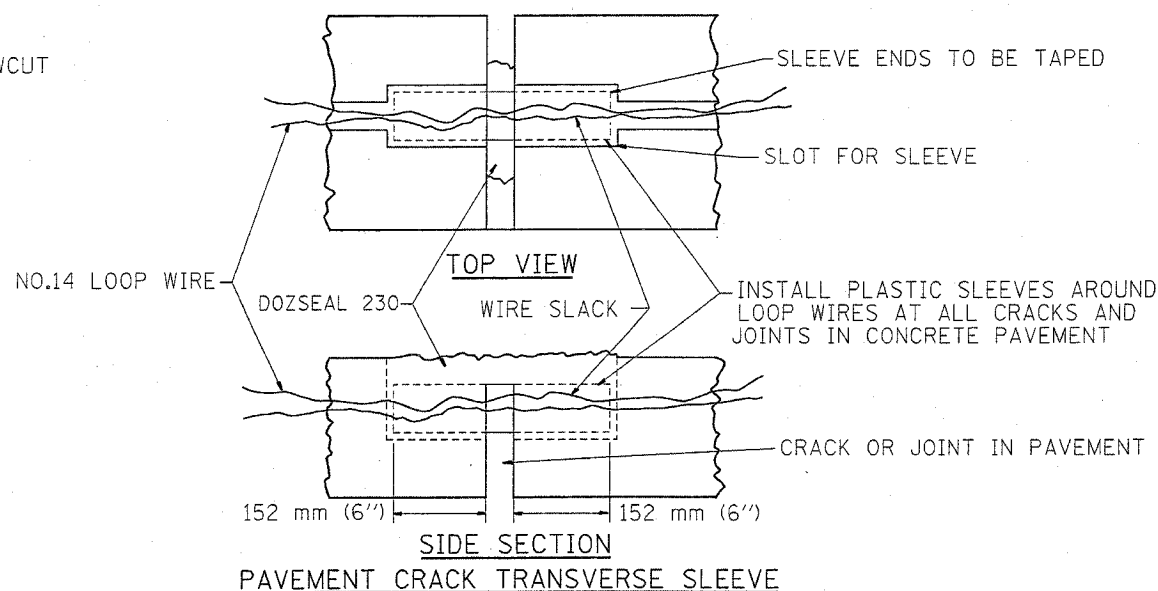
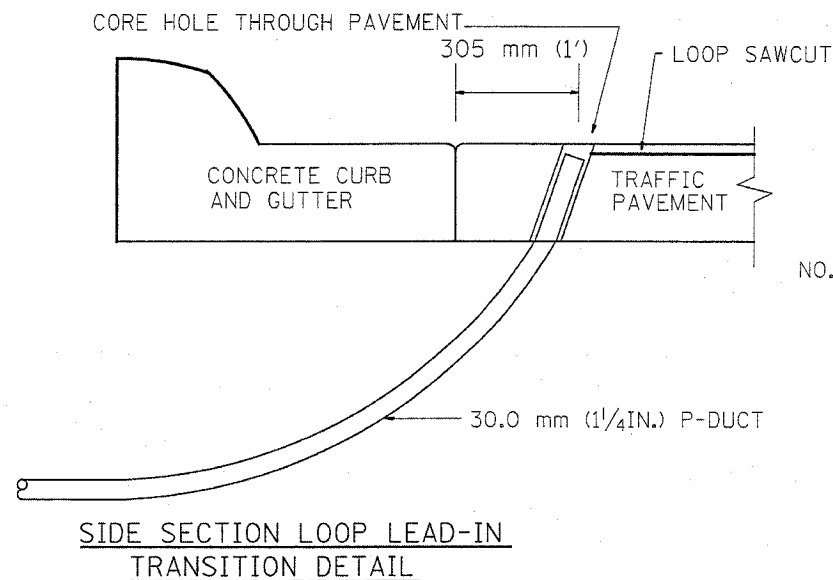
LOOP JUNCTION BOX UNDER BRIDGE DECK

LOOP TRANSITION IN BRIDGE DECK



LOOP CROSS SECTION IN PAVEMENT

MULTIPLE LOOP SPLICING



REVISIONS	
NAME	DATE
R.L.	6/94
R.L.	3/95
T.C.	11/95
R.L.	05/96
T.C.	10/96

ILLINOIS DEPARTMENT OF TRANSPORTATION
TRAFFIC SYSTEMS CENTER

**LOOP, CONDUIT & DUCT
INSTALLATION DETAILS**

SCALE: VERT. NONE
HORIZ. DATE 6-22-94

DRAWN BY G.M.
CHECKED BY R.L.

RD-TYPMET.DGN
RF-

V1-4184