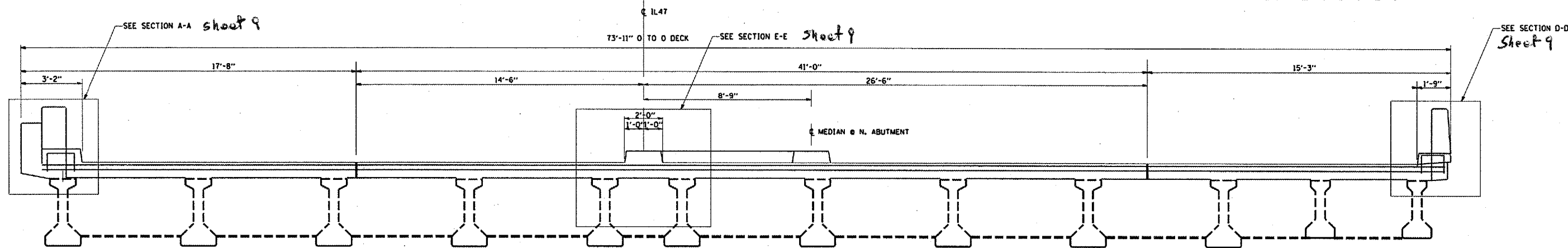
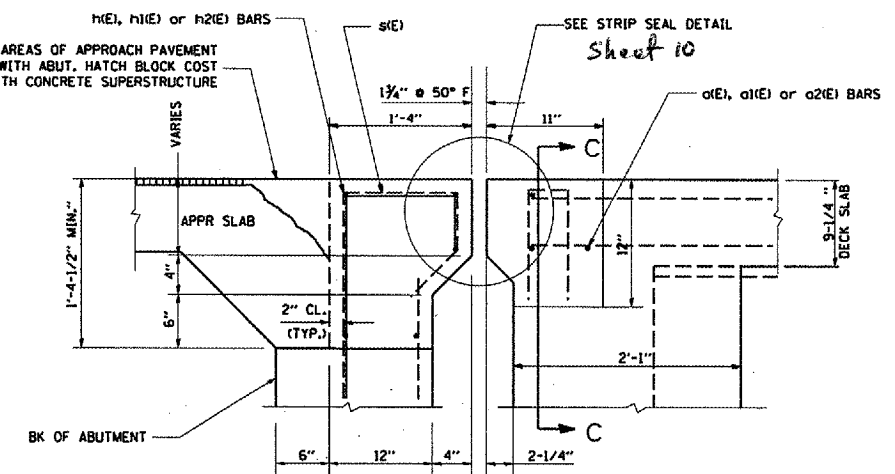
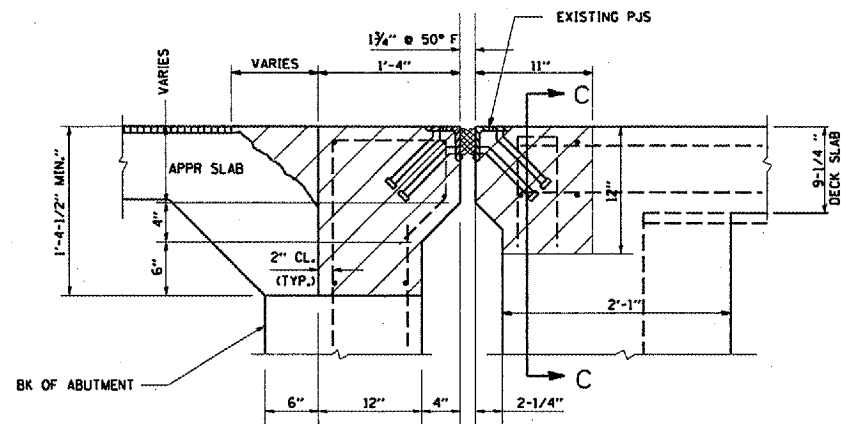
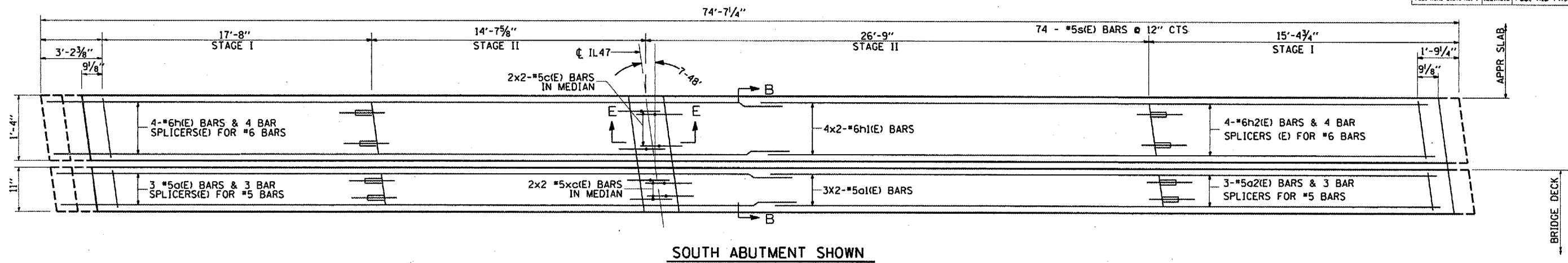


F.A.P. RTE.	SECTION	COUNTY	TOTAL SHEETS	SHEET NO.
338	E-1-14-1-2	DUPAGE	12	8
FED. ROAD DIST. NO. 1 ILLINOIS FED. AID PROJECT				



REVISIONS	
NAME	DATE

ILLINOIS DEPARTMENT OF TRANSPORTATION

IL 59 OVER I-88 BRIDGE

JOINT RECONSTRUCTION PLAN

SN 022-9900

SCALE: NONE

DATE: 2/10/06

DRAWN BY: SHB

CHECKED BY:

3/16/2006  
ca@projecrs@d101105@d101105oc.m32