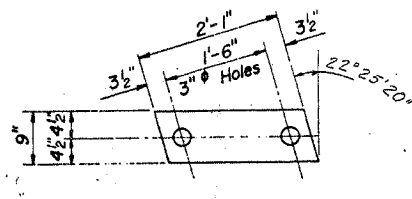


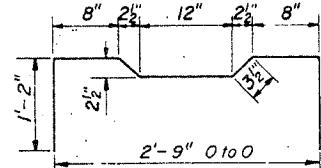
STATE OF ILLINOIS  
DEPARTMENT OF TRANSPORTATION

ROUTE NO.	SECTION	COUNTY	TOTAL SHEETS	SHEET NO.
FAP 553	125VBR-1	DEKALB	55	37
PREPARED BY	DESIGNED BY	ENGINEER	PER. AND PROJECT	

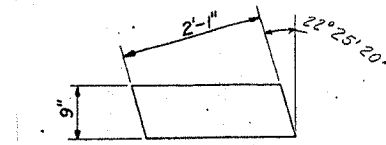
3 SHEETS



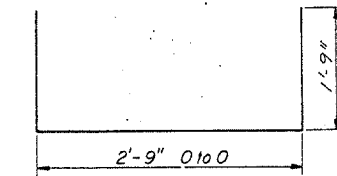
FABRIC BEARING PAD



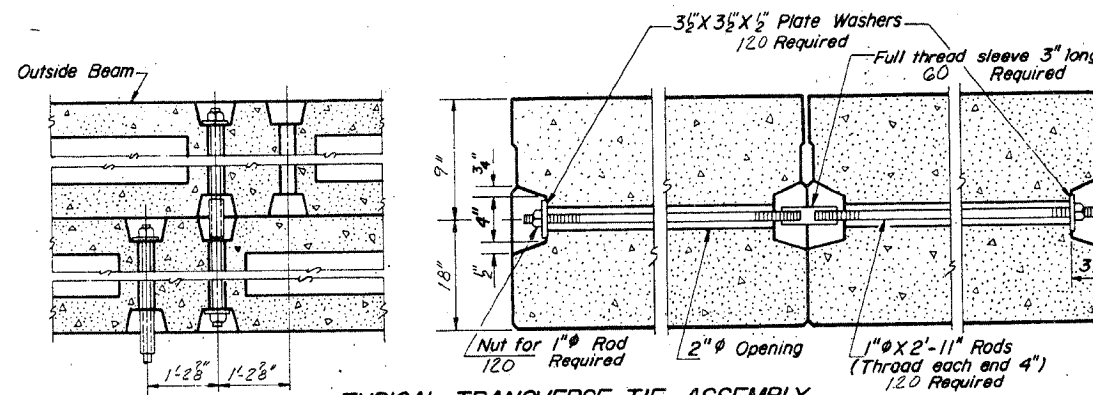
A<sub>1</sub> BAR



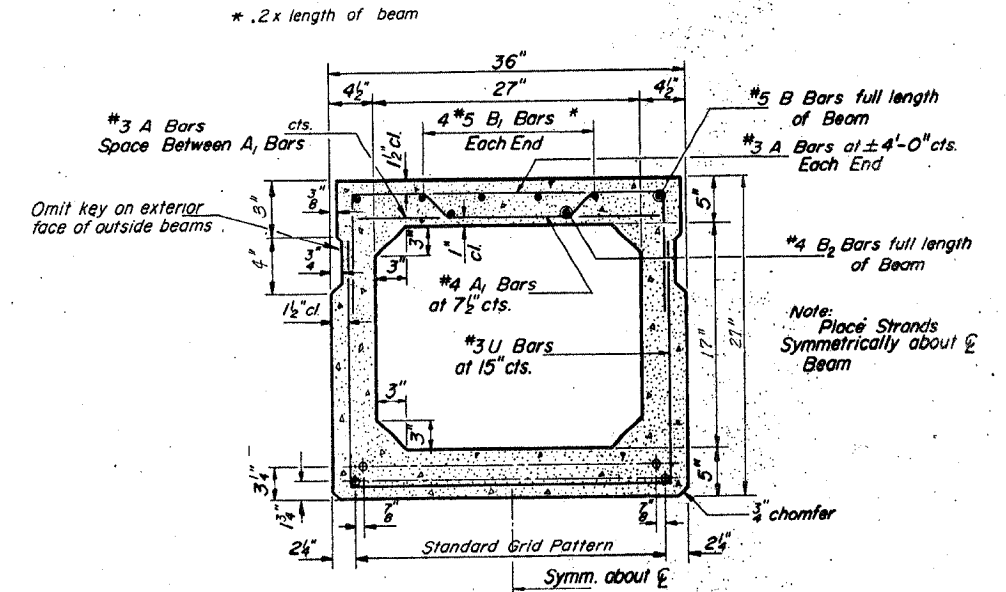
GRAPHITED ASBESTOS BEARING PAD



U & U<sub>1</sub> BAR

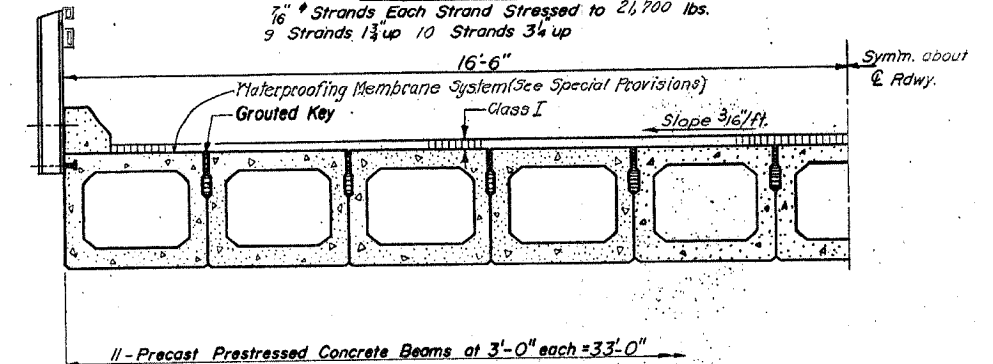


TYPICAL TRANSVERSE TIE ASSEMBLY



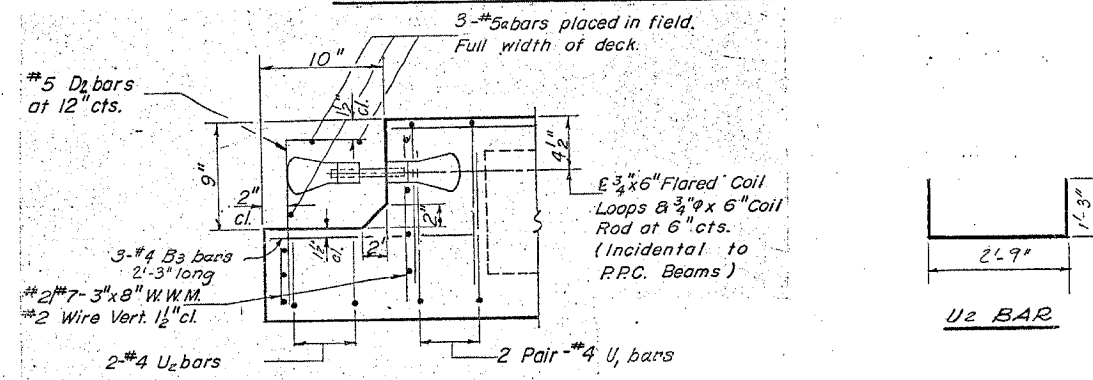
TYPICAL SECTION

1/6" Strands Each Strand Stressed to 21,700 lbs.  
9 Strands 1 3/4" up 10 Strands 3/4" up



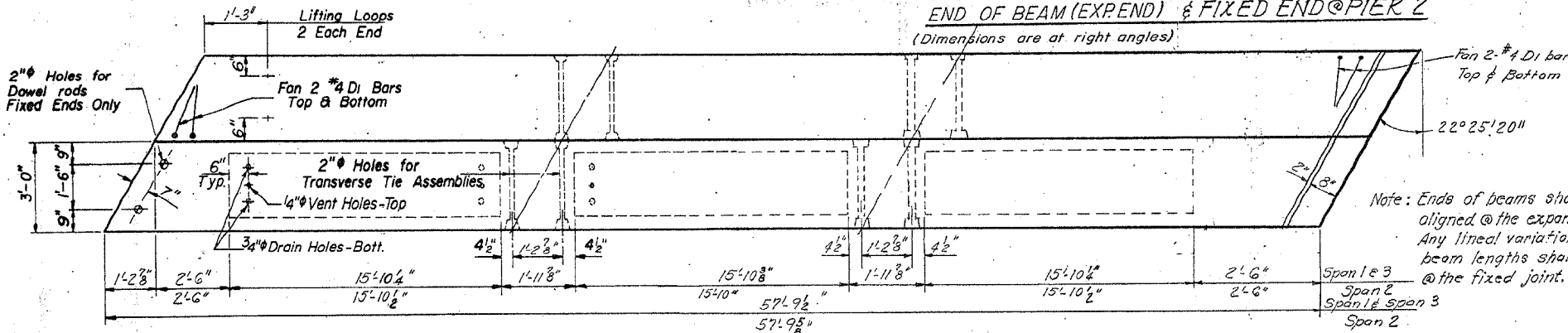
HALF CROSS SECTION

\* FOR INFORMATION ONLY

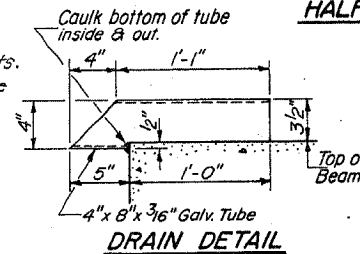


END OF BEAM (EXPEND) & FIXED END @ PIER 2

(Dimensions are at right angles)



PLAN



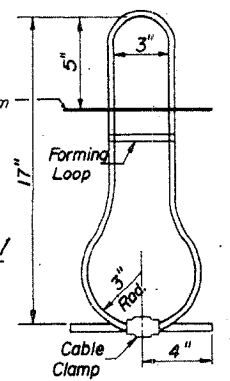
DRAIN DETAIL

GENERAL NOTES

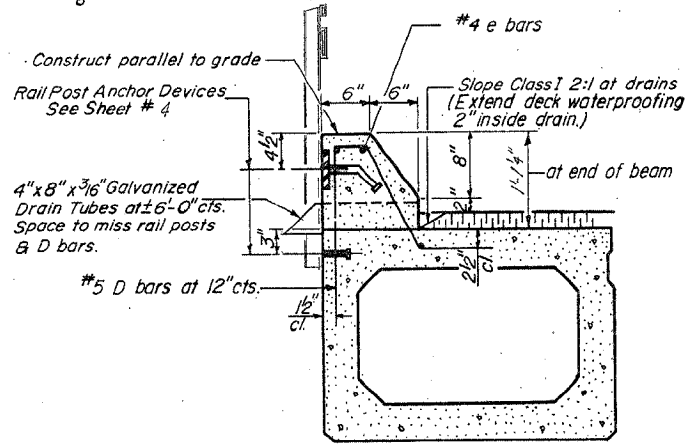
Prestressing steel shall be non-galvanized extra high strength, stress-relieved 7 wire strand Gr 270. The nominal diameter shall be 7/8" and the nominal cross-sectional area shall be 0.115 sq. in.. Lifting loops shall be 5/8" diameter, 6 x 19 class wire rope with fiber core and shall have a minimum ultimate tensile strength of 33,000 lbs. The 1" rods in the transverse tie assembly shall be tightened to a snug fit and the threads set. Pockets that receive transverse tie bar on outside beam shall be filled with grout after transverse tie assembly is in place. Longitudinal shear keys shall be packed with a very dry mix of 2:1 sand and P.C. mortar. After beams have been erected, holes for the dowel anchors shall be drilled into the sub-structure and the anchor dowels shall be grouted in place. Dowel rods shall be A.S.T.M. A-306 or A.S.T.M. A-615. Transverse tie rods shall be A.S.T.M. A-306, Grade 70-80. After fabrication the transverse tie assemblies (tie rods, nuts, washers and sleeves) shall be hot-dipped galvanized in accordance with A.S.T.M. Designation: A153. Cost of reinforcement and accessories cast into the beam, of bearing pads, of armor angles, and of grouting longitudinal shear keys is included in unit price bid for "Precast Prestressed Concrete Deck Beams."

BILL OF MATERIAL

Bar	No.	Size	Length	Shape
a	12	#5	35' 4"	
Precast Prestressed Concrete Deck Beams (27")		Sq. Ft.	5,722	
Class X Concrete		Cu. Yds.	3.3	
Reinforcement Bars		Lbs.	440	



LIFTING LOOP DETAIL



SECTION THRU CURB

Curbs shall be poured in the field. Class X Concrete & e bars for curbs are billed on Sheet # 4.

DESIGNED	R. V. Matur	EXAMINED	JAN 31 1975
CHECKED	D. A. Ryan	PASSED	
DRAWN	S. V. U.	APPROVED	
CHECKED	D. A. Ryan		

SUPERSTRUCTURE  
S.B.I.R.T. 72 SEC. 125 V.B.R.  
DEKALB COUNTY  
STA. 259+79.17