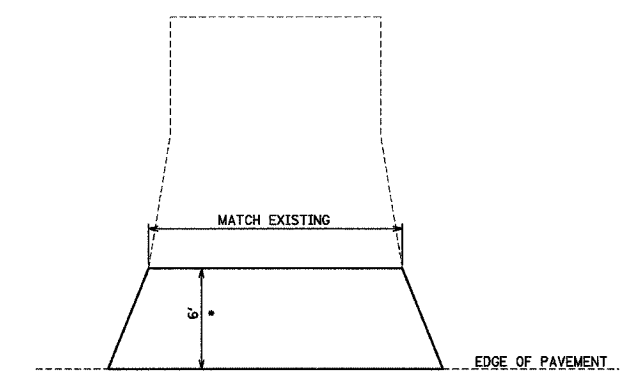


CONTRACT NO. 64858				
F.A.P. RTE.	SECTION	COUNTY	TOTAL SHEETS	SHEET NO.
553	125VBR-1	DEKALB	55	45
STA.		TO STA.		
FED. ROAD DIST. NO. - ILLINOIS		FED. AID PROJECT		



- PLACE AGGREGATE SURFACE COURSE, TYPE B AT AGGREGATE ENTRANCE
BITUMINOUS SURFACE REMOVAL - BUTT JOINT AND INCIDENTAL SURFACING AT BITUMINOUS ENTRANCES.

TOWNSHIP ROAD ENTRANCE DETAIL
(13 AGGREGATE ENTRANCES/ 3 BITUMINOUS ENTRANCES)

REVISIONS	
NAME	DATE

ILLINOIS DEPARTMENT OF TRANSPORTATION
DETAILS
 FAP 553 (IL 72)
 SECTION 125VBR-1
 DEKALB COUNTY

SCALE: VERT. _____
 HORIZ. _____
 DATE 11/05

DRAWN BY NET
 CHECKED BY JKC

PLOT DATE = 12/05
 FILE NAME = DETAIL
 PLOT SCALE = NONE
 USER NAME = CHRIS