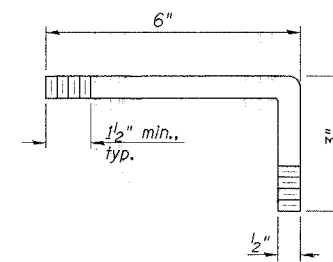
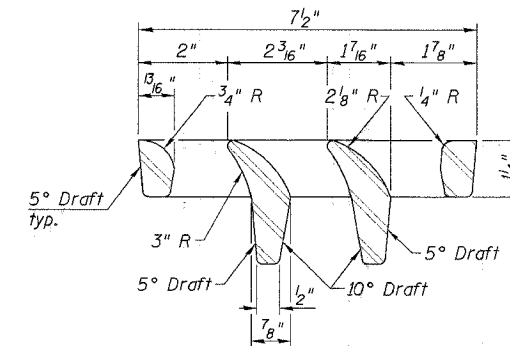


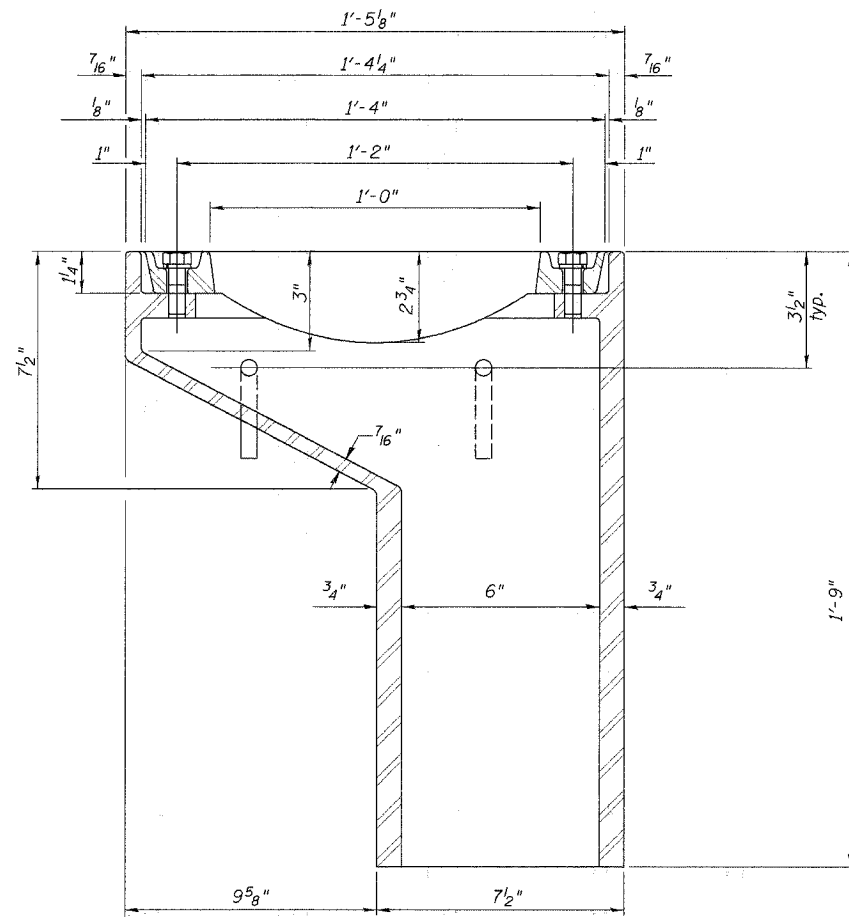
BOLT HOLE DETAIL



ANCHOR STUD DETAIL

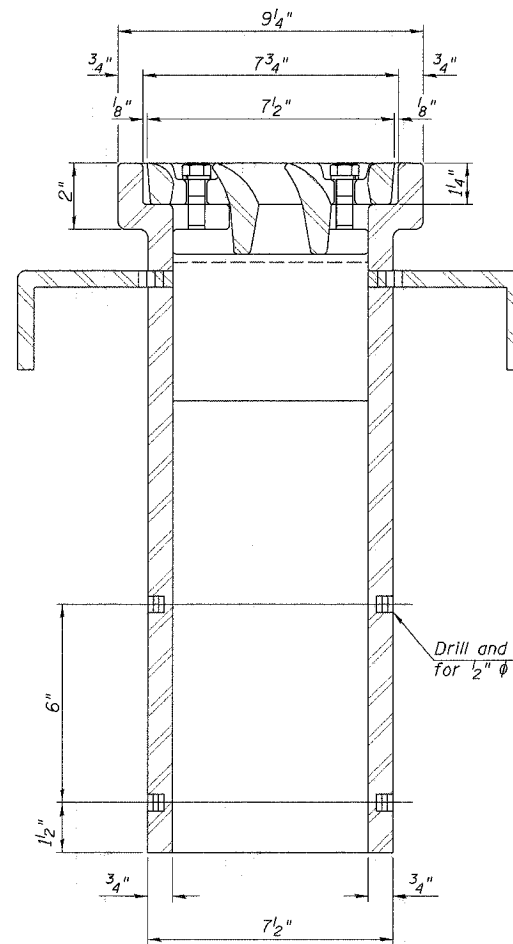


VANE GRATE DETAIL



SECTION A-A

See sheet 7 of 13 for scupper location relative to parapet.



SECTION B-B

Drill and tap 1/2"-13x1/2" DP. for 1/2"  $\phi$  bolts. (4 locations)

Notes: All cast iron parts shall be gray iron conforming to the requirements of AASHTO M 105, Class 35B.  
 Bolts, anchor studs, washers and nuts shall conform to the requirements of ASTM A 307 and shall be galvanized according to AASHTO M 232.  
 The grate, frame and downspout shall be galvanized according to AASHTO M 111 and ASTM A 385. Downspouts located on the exterior side of a painted steel fascia beam shall be painted with the finish coat specified for the exterior side of the fascia beam.  
 As an alternate, bolts, anchor studs, washers and nuts may be stainless steel according to Article 1006.29(d) of the Standard Specifications.  
 Structural steel weldments of equal sections and of the same configuration may be substituted for cast iron. Fillet or full penetration welds shall be used for the weldments. Details shall be submitted to the Engineer for approval.  
 The Contractor shall take appropriate measures to assure that Protective Coat is not applied to the scupper.  
 Cost of the Grate, Frame, Downspout, Anchor Studs, Bolts, Washers and Nuts including complete installation of the scupper shall be paid for at the contract unit price each for Drainage Scuppers, DS-11.

BILL OF MATERIAL

ITEM	UNIT	QUANTITY
Drainage Scuppers, DS-11	Each	4

DESIGNED	D.F.W.
CHECKED	J.A.Z.
DRAWN	B.S.S.
CHECKED	D.F.W.

8-11-02

DRAINAGE SCUPPERS, DS-11  
 BACKBONE ROAD OVER I-80  
 F.A.I. ROUTE 80  
 SECTION (06-4HB-1D)  
 BUREAU COUNTY  
 STATION 2289+07.63 (F.A.I. 80)  
 S.N. 006-0116  
 DATE: JANUARY 30, 2006  
 GRAEF, ANHALT, SCHLOEMER & ASSOCIATES INC  
 CHICAGO ILLINOIS

01-20040404-20010404-06-Vms-Structural-Final-30-06-04-06-s08.dgn  
 02/08/2006  
 12:07:05 PM